

anko AQUARIUM PUMP WITH FILTER

FILTER SAFETY INSTRUCTIONS

1. For use in an aquarium only.
2. Do not run the filter dry or keep it above water level when in operation. This is a submersible internal filter. The water level should be higher than the impeller so it can operate properly.
3. Always use a drip loop when in use, see Figure 1. The drip loop will prevent water entering your power source.
4. Do not use the filter if the cord appears worn or damaged.
5. Keep the plug dry at all times. Do not plug into a power point if the plug is wet.
6. When not in use, the filter should be turned off at the power source.
7. Ensure the filter is mounted to the aquarium before operating.
8. Close supervision essential when used in the presence of children.

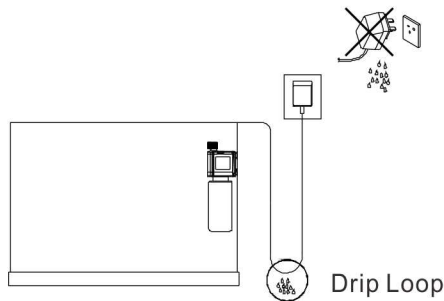


Fig. 1

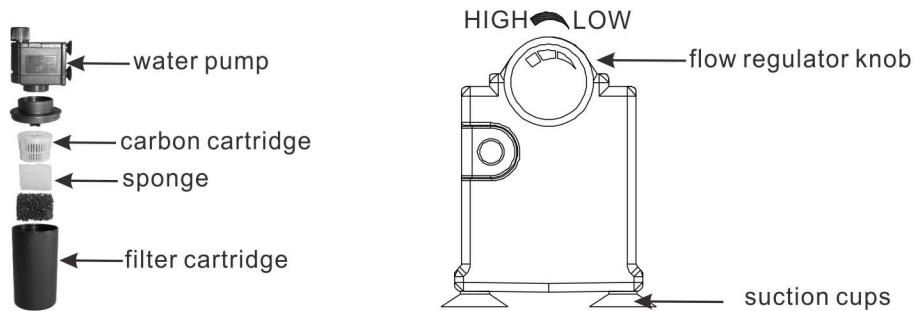


Fig. 2 Internal Filter

TIPS:

1. The filter can be adjusted using the flow regulator knob, see Figure 2, to avoid harming small fish species.
2. Flow rate of the water pump is 200L/hr and recommend for aquariums upto 40L capacity.

Note: 1 year limited warranty, excludes sponge and carbon filters

anko AQUARIUM PUMP WITH FILTER

FILTER SET-UP INSTRUCTIONS:

1. Remove the filter cartridge from the internal filter and wash the sponge and carbon cartridge under normal tap water and then put into the cartridge.

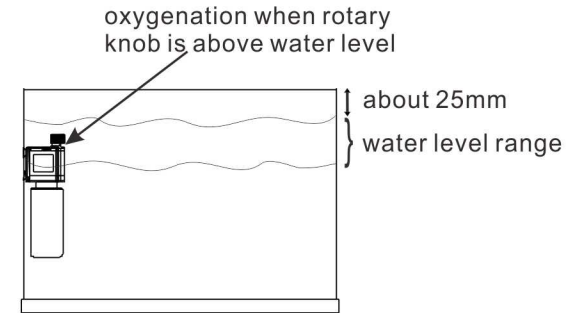


Fig. 3

2. The filter should be positioned at or just above the water level. Secure the filter to the side of the tank, using the suction cups provided, see Figure 2 and 3.
3. Once the filter is secured, plug the filter into your power point, use a drip loop, see figure 1 and then turn on.

FILTER MAINTENANCE:

- Water health and colour will determine how often the filter media requires replacement.
- Remember to always unplug the filter from its main power supply before undertaking any maintenance, ensuring the plug remains dry.
- Clean the sponge and carbon filter from water taken from the tank. We recommend replacing the sponge and carbon filter (see figure 5) which is available at Kmart monthly. Refer to Figure 2.
- Clean the pump and filter cartridge under tap water.
- Reassemble and put internal filter back into the aquarium.
- To ensure optimal performance, it is recommended to clean the impeller of the pump every 6 months (Refer to Figure 4)
 - o Slightly bend the cartridge; the impeller housing will come apart from the pump.
 - o Remove the impeller assembly and clean it under tap water, then reassemble.

Note: Filter Replacement Kit available at Kmart (Refer to Figure 5)



Fig. 5

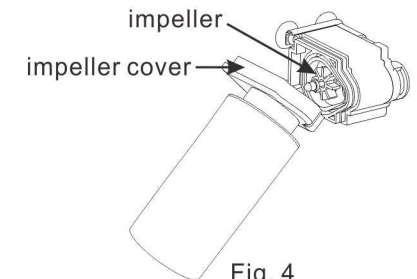


Fig. 4