

Assembly Instruction

CARE INSTRUCTIONS:






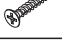

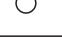

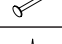
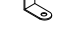

TO BE ASSEMBLED ON A CLEAN, DRY AND SMOOTH SURFACE. WIPE CLEAN WITH A SOFT DAMP CLOTH. NEVER USE SCOURERS, ABRASIVES OR CHEMICAL SOLVENTS. CHECK AND TIGHTEN ALL PARTS REGULARLY. KEEP AWAY FROM MOISTURE AND DIRECT SUNLIGHT. STORE IN A DRY PLACE. FOR INDOOR USE ONLY.

WARNING!

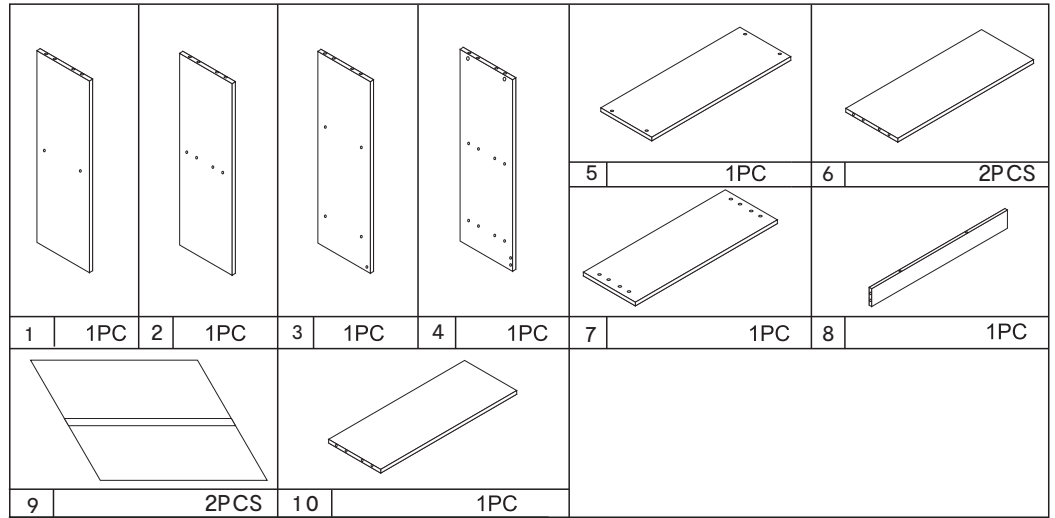
DO NOT STAND, SIT OR LEAN ON THIS UNIT. DO NOT USE THIS UNIT AS A STEP LADDER. ENSURE THIS UNIT IS USED ONLY ON A FLAT SURFACE. DO NOT USE THIS UNIT UNLESS ALL BOLTS AND SCREWS ARE FIRMLY SECURED. DO NOT PLACE HOT ITEMS SUCH AS COFFEE CUPS DIRECTLY ON THE SURFACE OF THIS FURNITURE ITEM. KEEP AWAY FROM CHILDREN AND BABIES. THIS PACKAGE CONTAINS SMALL PARTS AND SHARP POINTS. ADULT ASSEMBLY REQUIRED. A MILD ODOUR MAY BE PRESENT WHEN FIRST OPENING THIS CARTON. SIMPLY ALLOW TO AIR OUTSIDE AND THIS WILL FADE. **MAXIMUM SAFE LOAD: 5KGS EACH SHELF.**

1

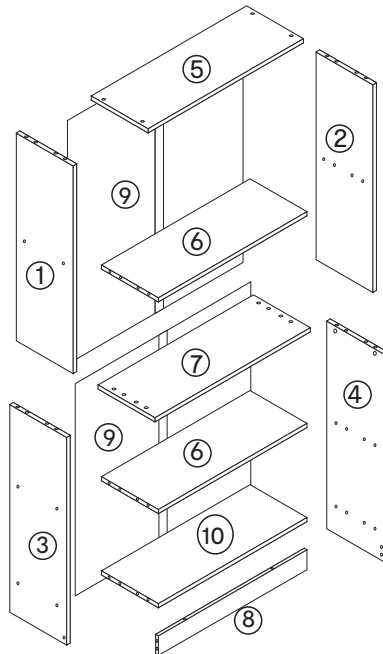
Hardware List

	a	∅4x35mm	22PCS		g	∅4x12mm	1PC
	b	∅6x30mm	20PCS		h	∅6x30mm	1PC
	c	∅6x50mm	4 PCS		i	∅4x35mm	1PC
	d	∅6x35mm	4 PCS		j	∅15 mm	18 PCS
	e	15x9.5mm	4 PCS		k	∅2x16mm	36PCS
	f	28x28x12mm	1 PC		l		3 PCS

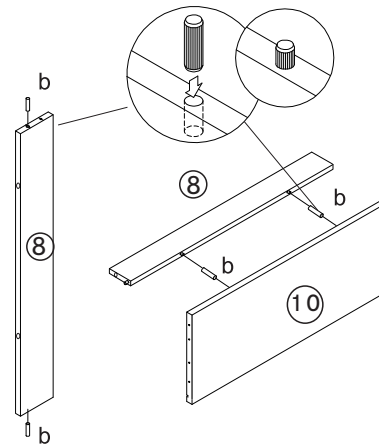
2



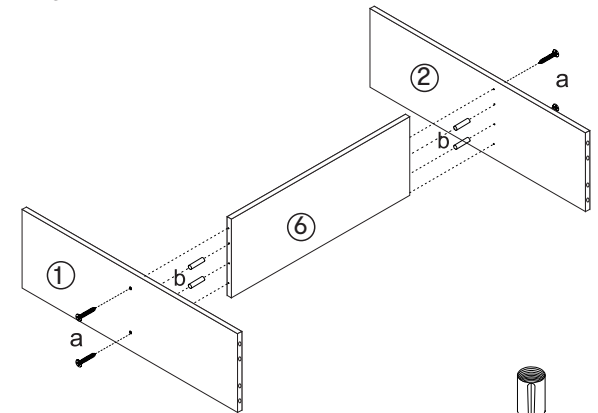
3



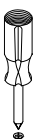
Step 1: Put part b in corresponding position (as per below diagram).



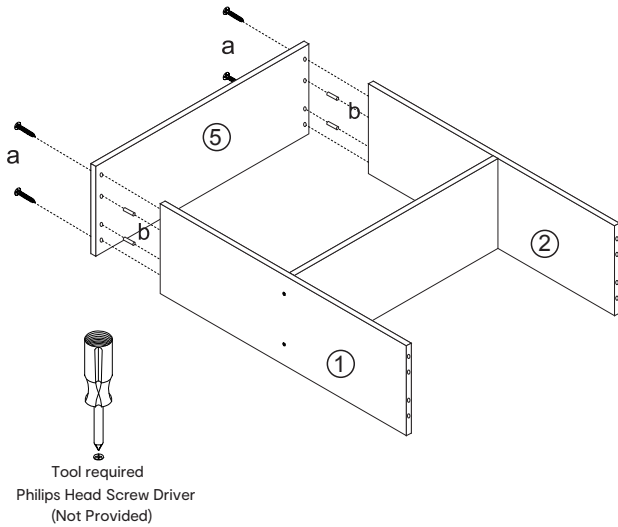
Step 2: Put part b in corresponding position (as per below diagram). Then fix board ① & ② on board ⑥ with screws a. Using screwdriver.



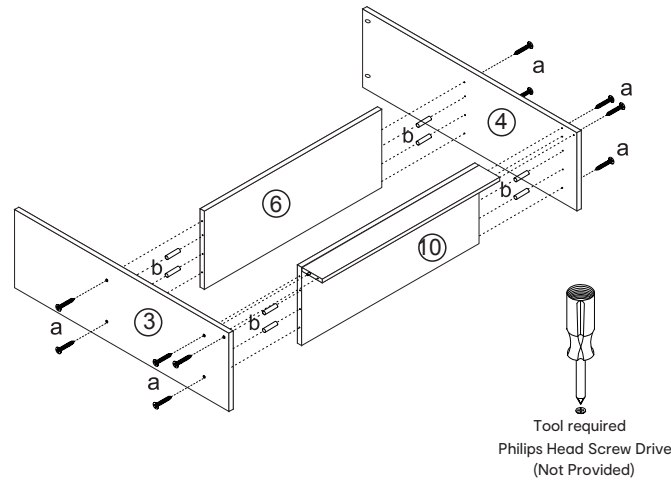
Tool required
Phillips Head Screw Driver
(Not Provided)



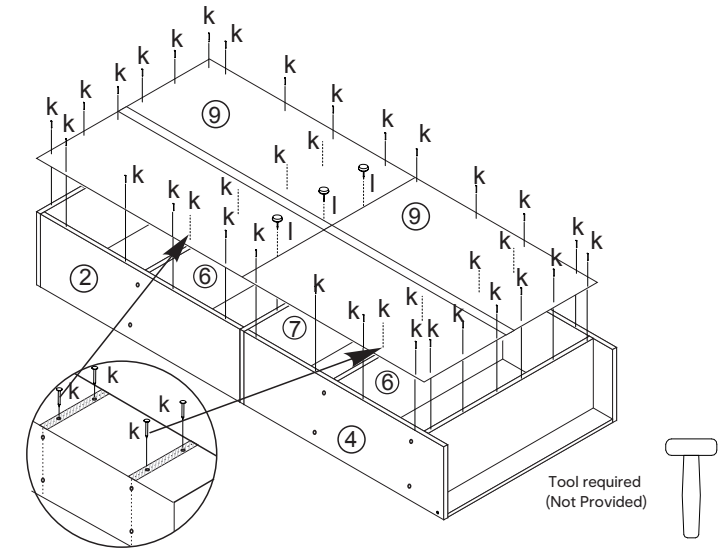
Step 3: Put part b in corresponding position (as per below diagram). Attach board ⑤ to the part from step 2 with screw a.



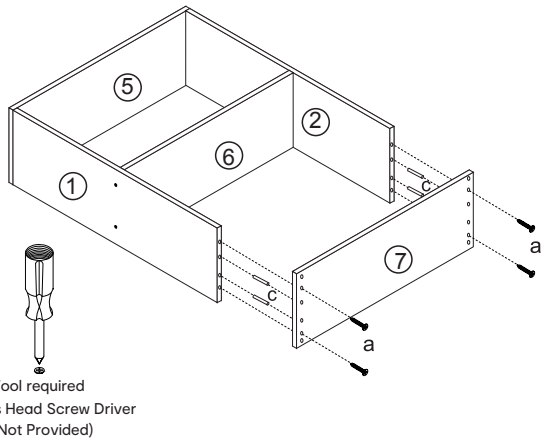
Step 5: Put part b in corresponding position (as per below diagram). Assemble the board ③, ④, ⑥ & ⑩ with screw a.



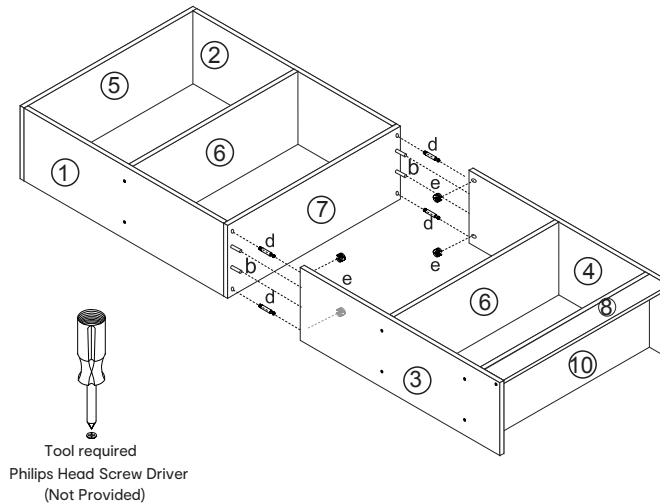
Step 7: Fix board ⑨ onto the back of the unit with nails (part l & part k), as per below diagram. Please note: ensure the nails align to the edges on the back of the unit before fixing.



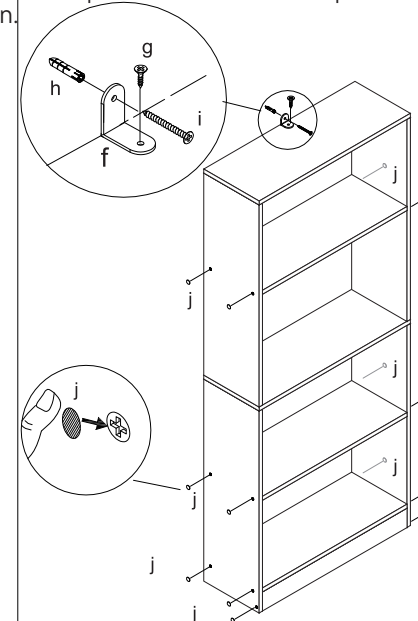
Step 4: Put part c in corresponding position (as per below diagram). Attach board ⑦ to the part from step 3 with screw a.



Step 6: Fix the round screws (part e) onto board ③ & ④. Put part b in corresponding position and screw part d onto board ⑦ (as per below diagram). Push the pieces from steps 4 & 5 together to join. Ensure all parts align and using a screwdriver, tighten the round screws (part e) to lock the pieces in place.



Step 8: Assemble part f onto board ⑤ with screw (part g), then fix the product to a wall with part h & i.



TOPPLING FURNITURE WARNING:

- › It is strongly recommended that this product is permanently fixed to the wall.
 - › Please seek professional advice if you are in doubt of what fixing device to use.
 - › Regularly check that anchors are securely maintained.
 - › Stability of tall items may be affected by thick pile carpet or uneven floors.
 - › Do not place unanchored televisions on furniture.
- Caution:** for your safety when attaching the anchor fixings, please note the following:
- › Check any electrical wires or plumbing inside the wall before drilling any holes (if you are unsure please seek professional advice from a qualified tradesperson)