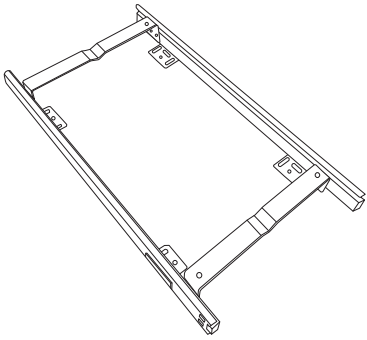
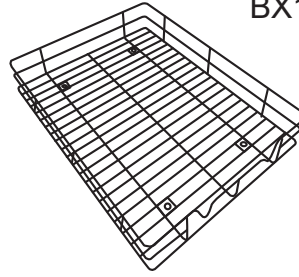


# IM-42823513-CHROME ORGANISER WIDE

AX1



BX1



CX4



DX4

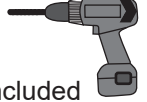


Screw driver



Tool not included

Power drill

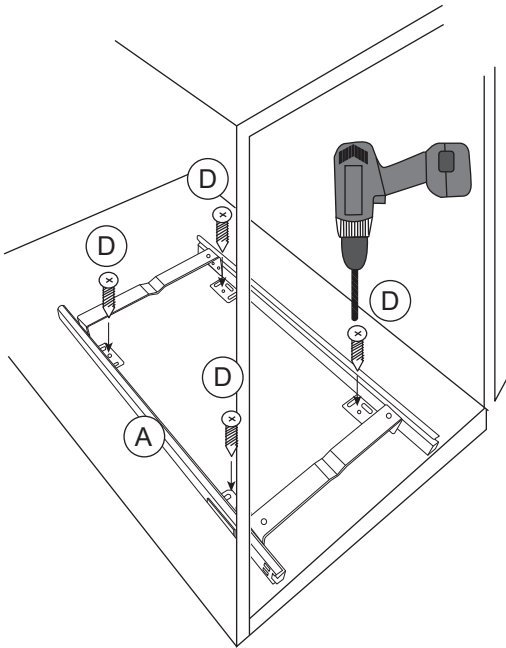


Tool not included

**1**

**AX1 DX4**

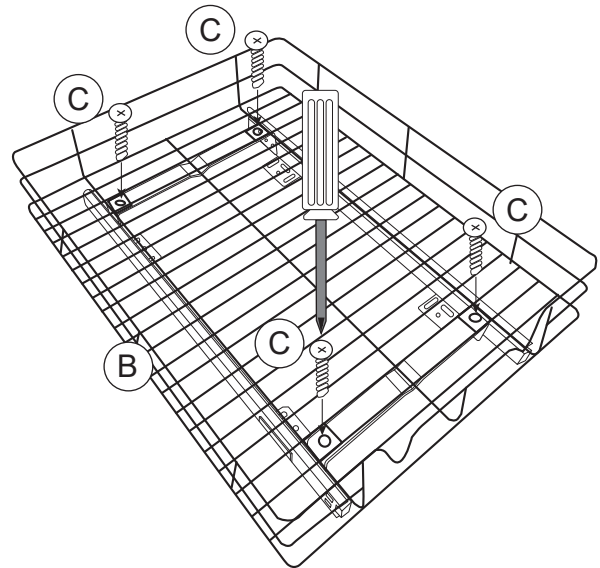
Install sliding rail A on cabinet with power drill using all 4 screws D



**2**

**BX1 CX4**

Fix the basket B with screw driver using all 4 screws C



**3**

Finished assembly

