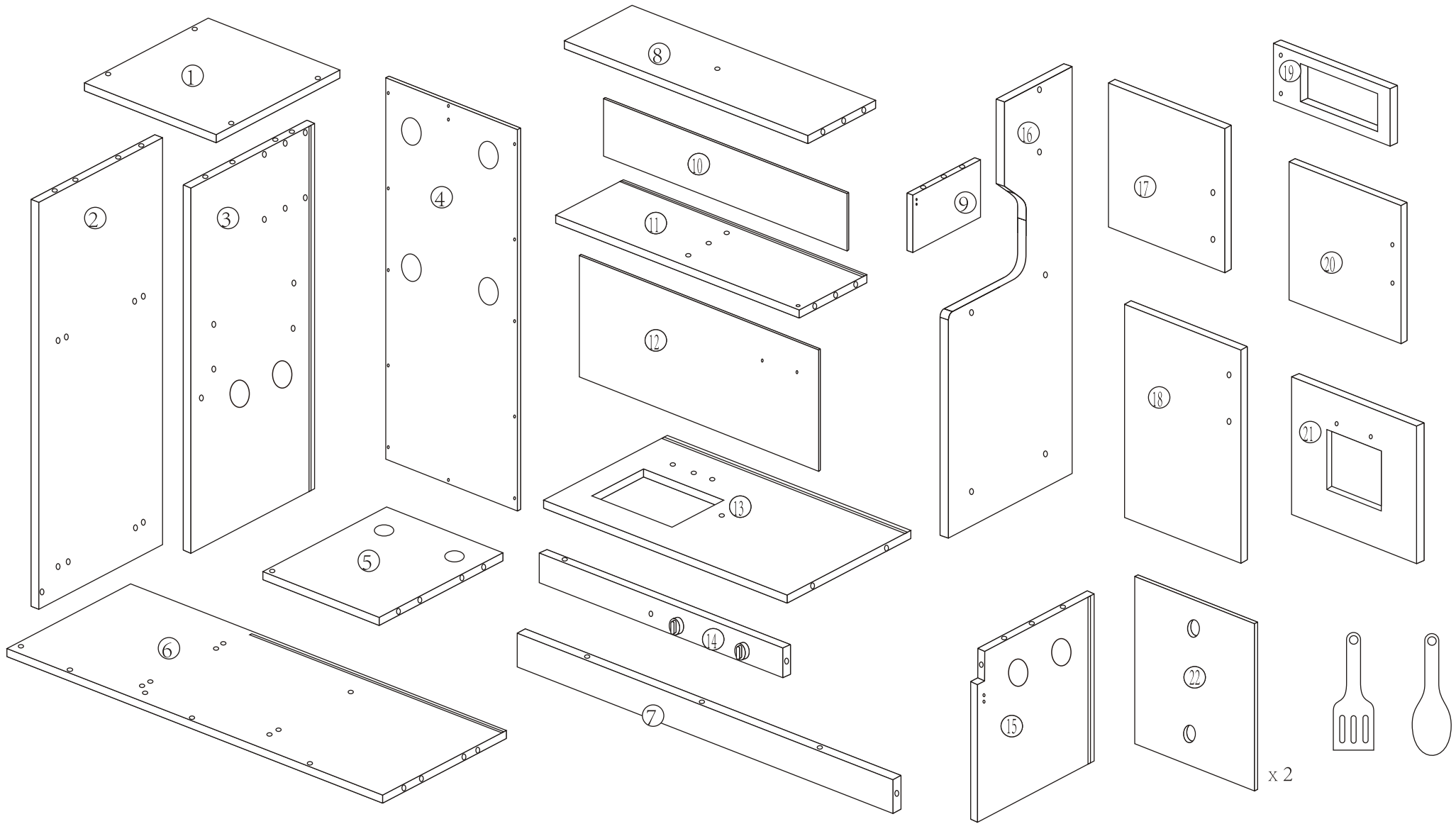


# Assembly Instructions

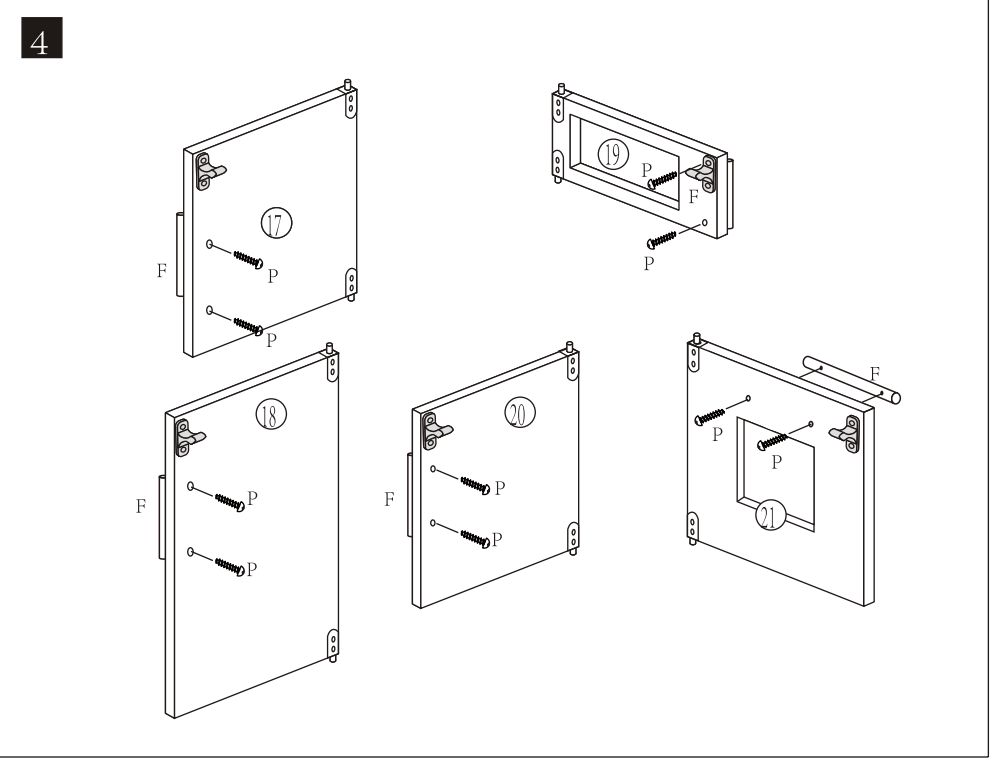
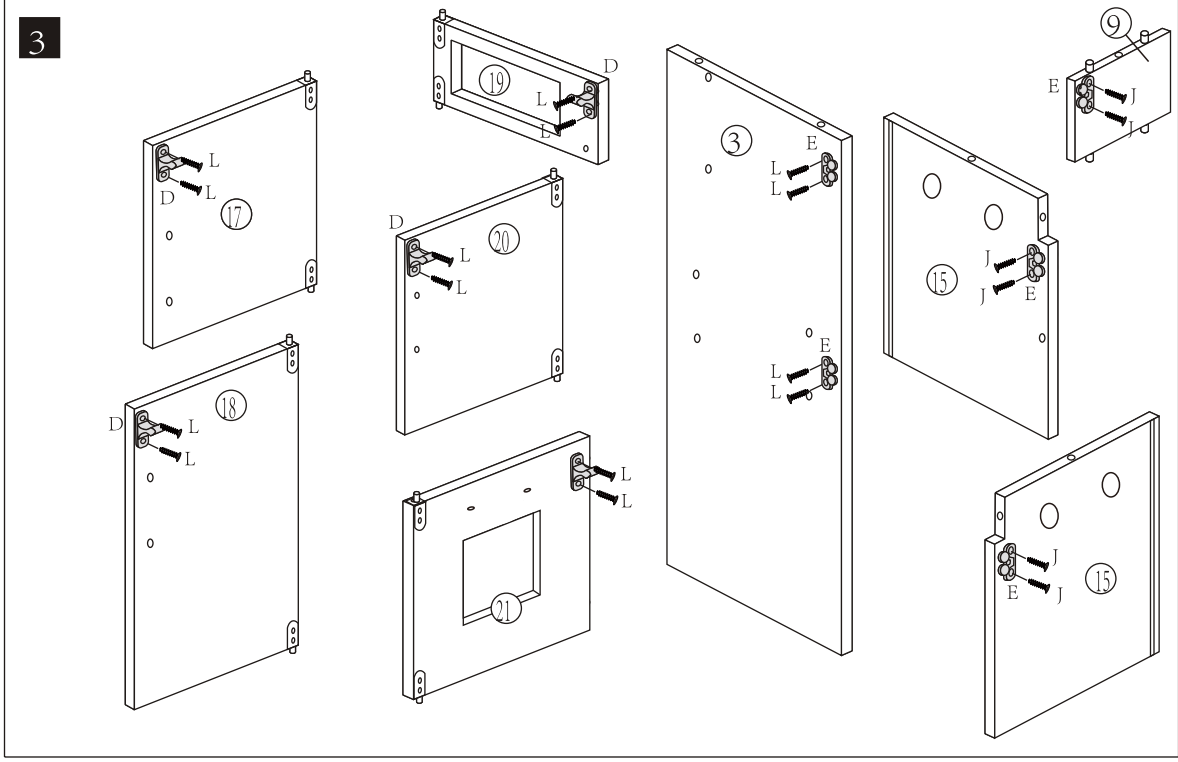
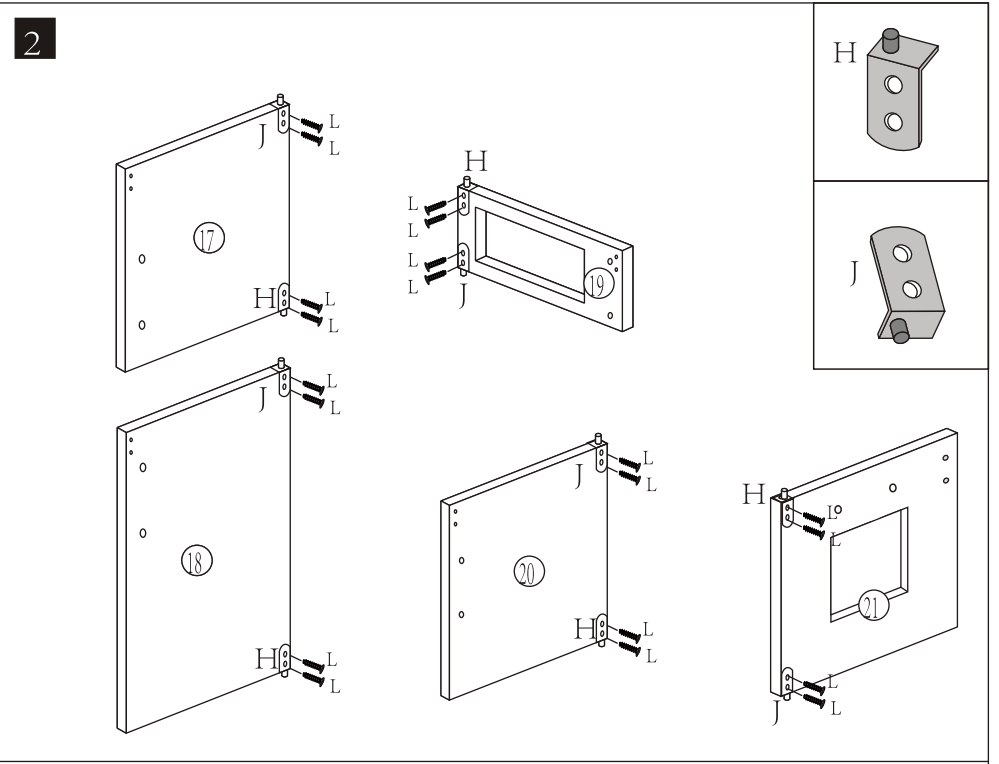
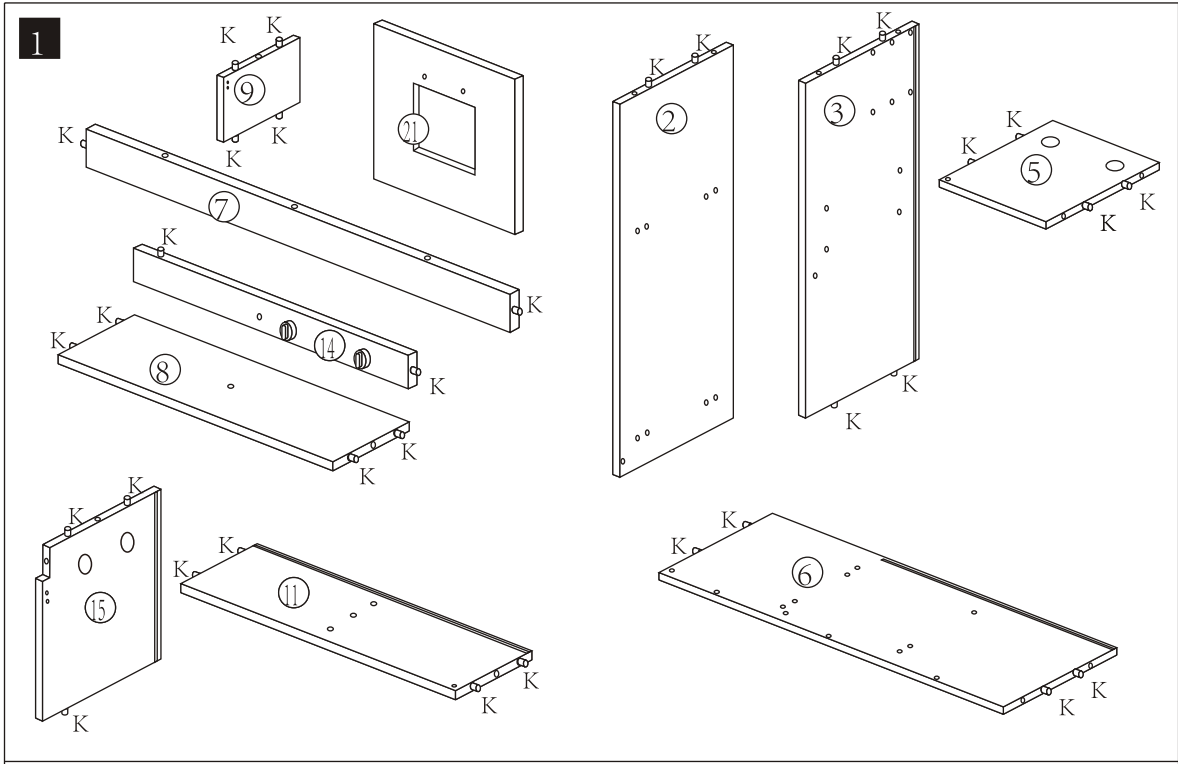


- |       |       |       |       |       |       |       |       |       |        |        |        |        |        |       |       |       |       |
|-------|-------|-------|-------|-------|-------|-------|-------|-------|--------|--------|--------|--------|--------|-------|-------|-------|-------|
| A x 1 | B x 2 | C x 1 | D x 5 | E x 5 | F x 5 | G x 2 | H x 5 | J x 5 | K x 33 | L x 40 | M x 14 | N x 33 | P x 10 | Q x 2 | R x 1 | S x 1 | T x 1 |
|       |       |       |       |       |       |       |       |       |        |        |        |        |        |       |       |       |       |

**CAUTION:**

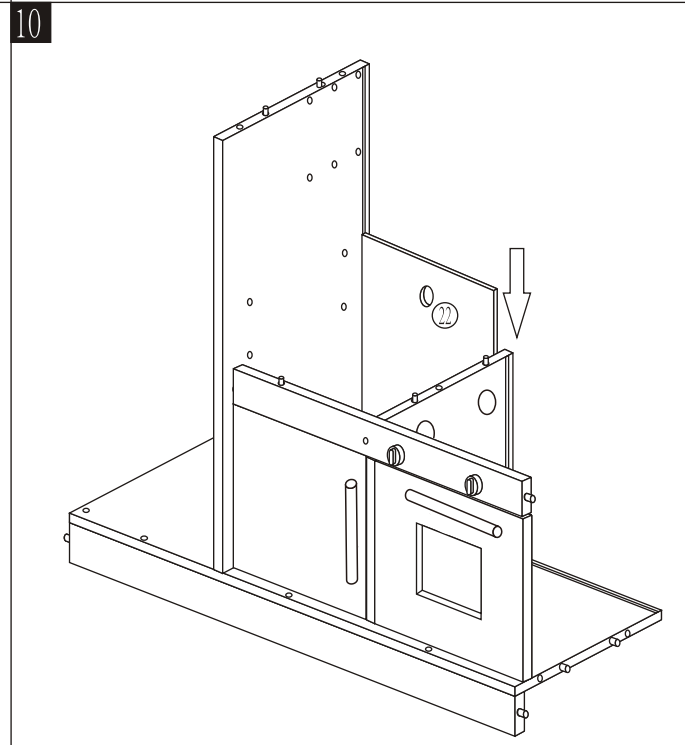
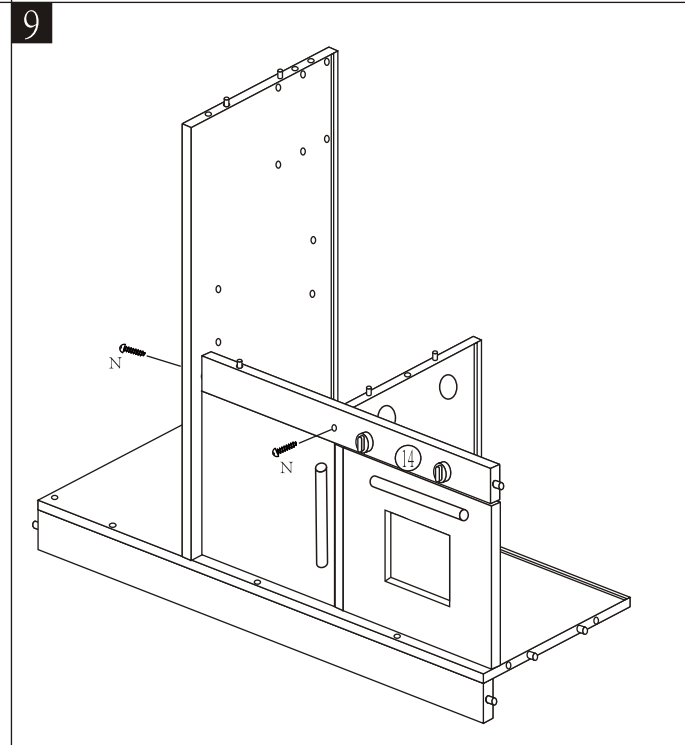
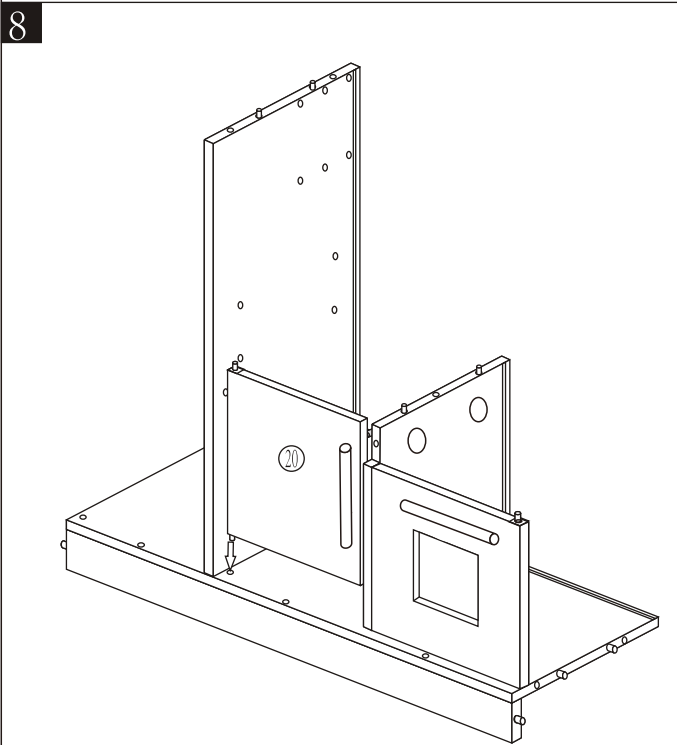
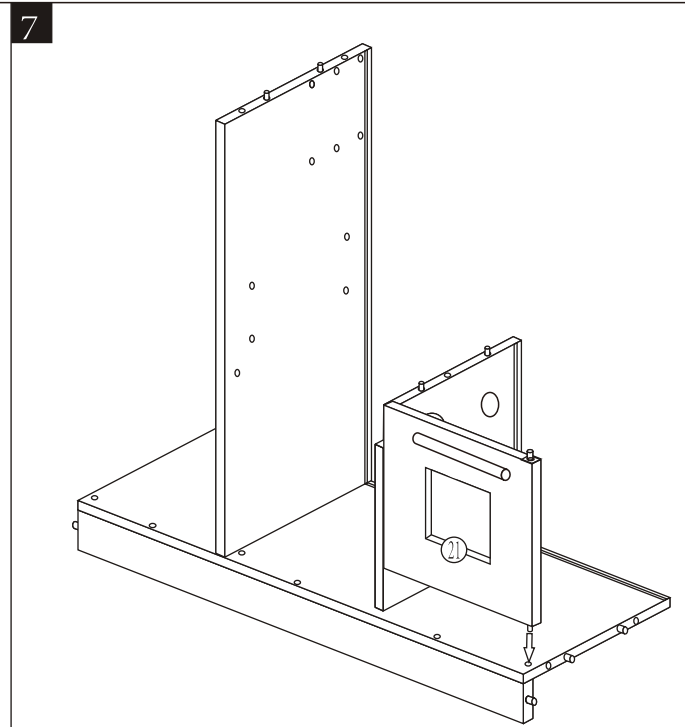
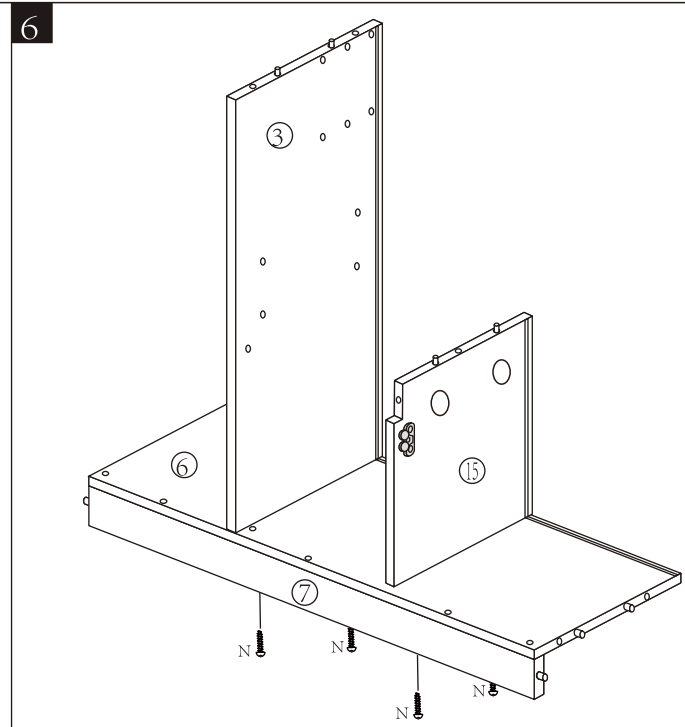
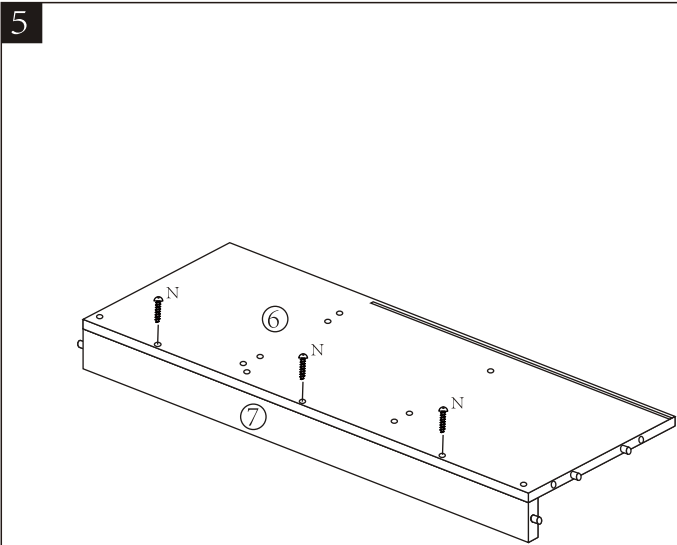
ADULT ASSEMBLY IS REQUIRED. HARDWARE CONTAINS SCREWS WITH SHARP POINTS. KEEP UNASSEMBLED PARTS OUT OF THE REACH OF SMALL CHILDREN. ADULT SUPERVISION IS RECOMMENDED. THIS IS A TOY, FOR ROLE PLAY ONLY.

**WARNING**  
 CHOKING HAZARD-SMALL PARTS.  
 NOT SUITABLE FOR CHILDREN UNDER 3 YEARS.



**CAUTION:**  
 ADULT ASSEMBLY IS REQUIRED. HARDWARE CONTAINS SCREWS WITH SHARP POINTS. KEEP UNASSEMBLED PARTS OUT OF THE REACH OF SMALL CHILDREN. ADULT SUPERVISION IS RECOMMENDED.  
 THIS IS A TOY, FOR ROLE PLAY ONLY.

**WARNING**  
 CHOKING HAZARD-SMALL PARTS.  
 NOT SUITABLE FOR CHILDREN UNDER 3 YEARS.



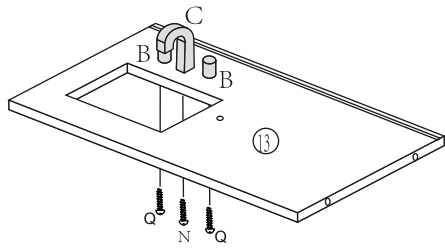
**CAUTION:**

ADULT ASSEMBLY IS REQUIRED. HARDWARE CONTAINS SCREWS WITH SHARP POINTS. KEEP UNASSEMBLED PARTS OUT OF THE REACH OF SMALL CHILDREN. ADULT SUPERVISION IS RECOMMENDED. THIS IS A TOY, FOR ROLE PLAY ONLY.

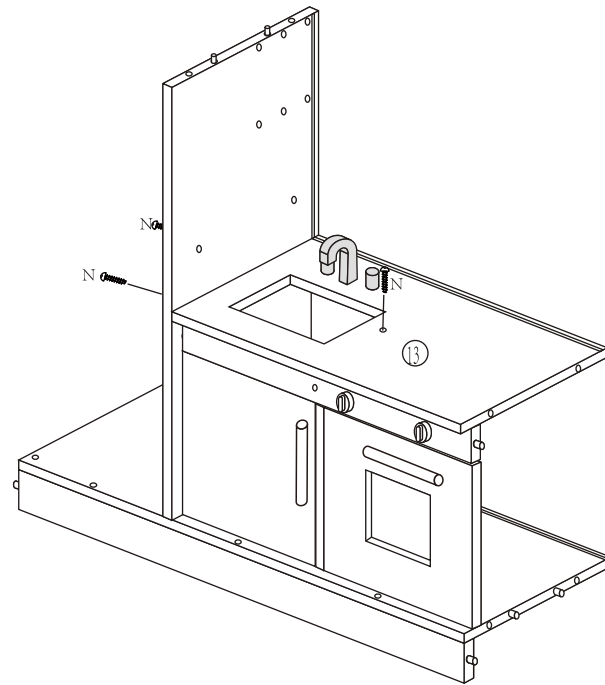
**WARNING**

CHOKING HAZARD-SMALL PARTS.  
NOT SUITABLE FOR CHILDREN UNDER 3 YEARS.

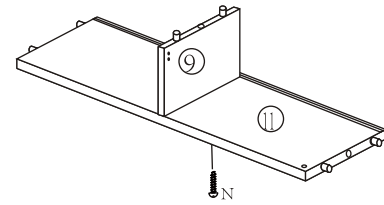
11



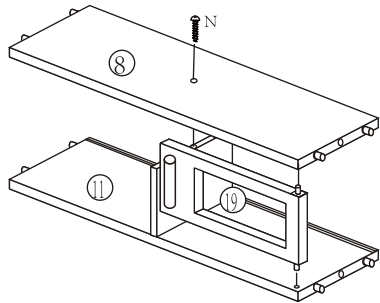
12



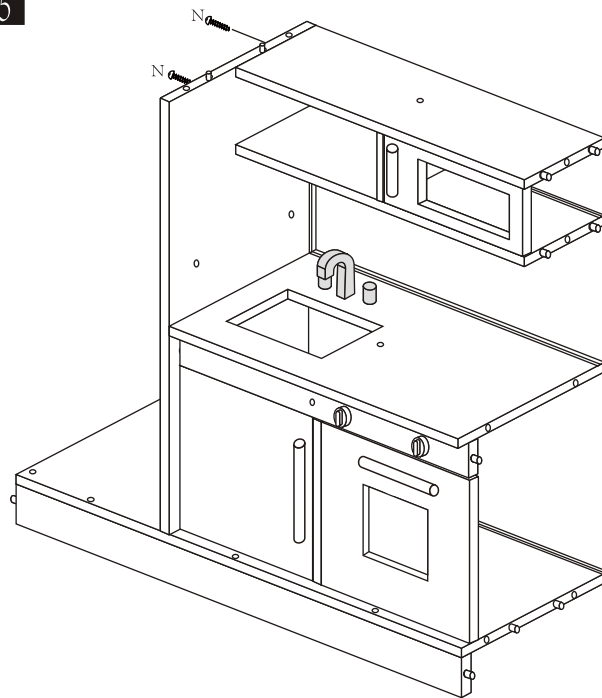
13



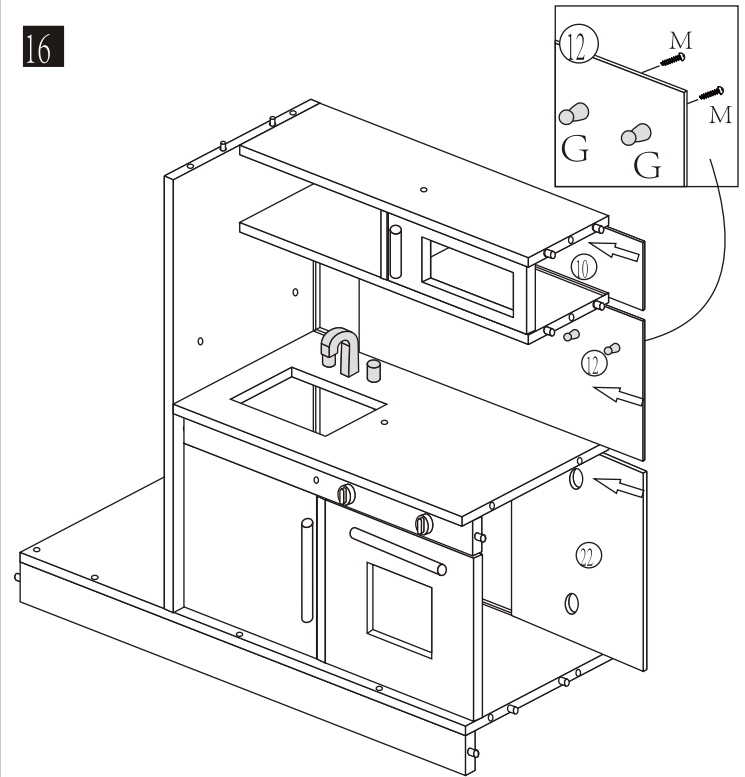
14



15



16



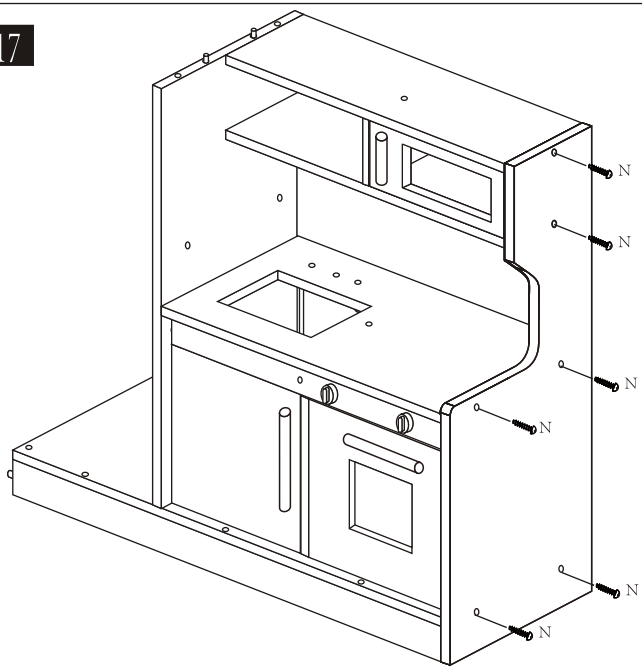
**! CAUTION:**

ADULT ASSEMBLY IS REQUIRED. HARDWARE CONTAINS SCREWS WITH SHARP POINTS. KEEP UNASSEMBLED PARTS OUT OF THE REACH OF SMALL CHILDREN. ADULT SUPERVISION IS RECOMMENDED. THIS IS A TOY, FOR ROLE PLAY ONLY.

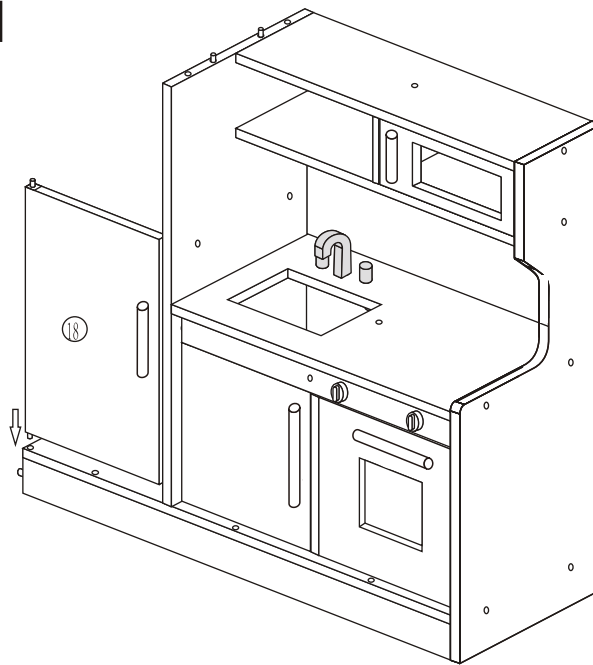
**! WARNING**

CHOKING HAZARD-SMALL PARTS.  
NOT SUITABLE FOR CHILDREN UNDER 3 YEARS.

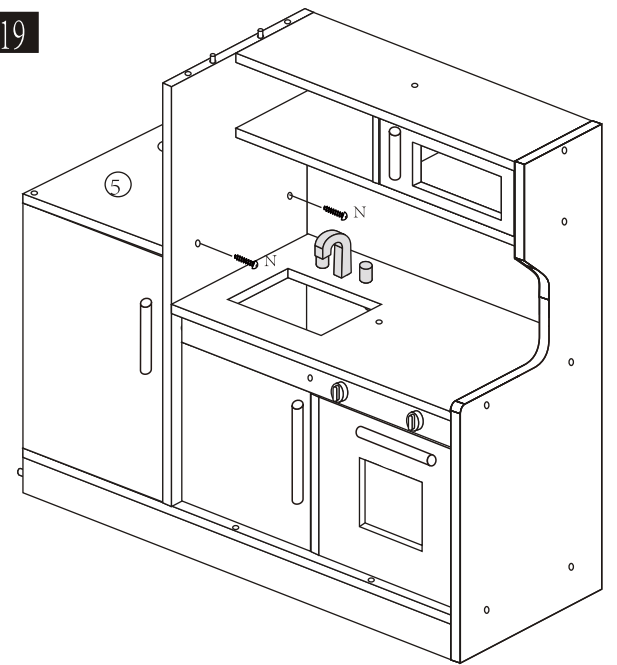
17



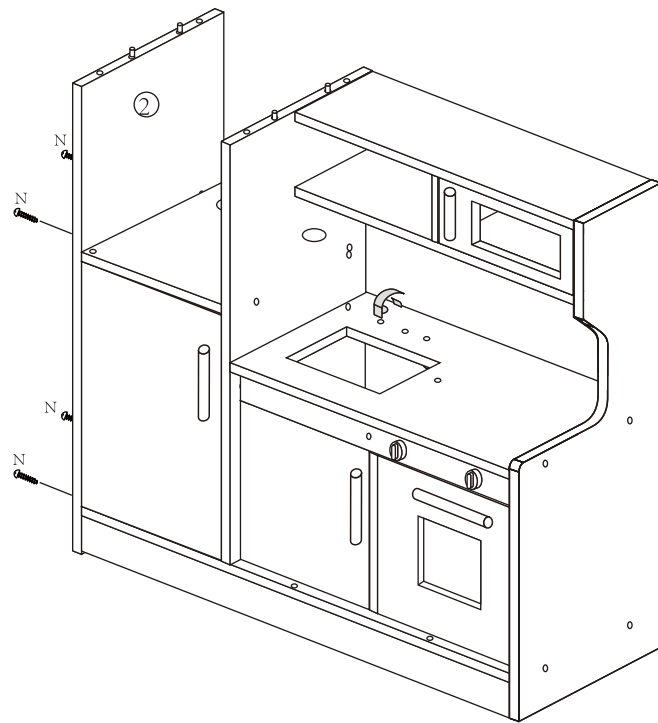
18



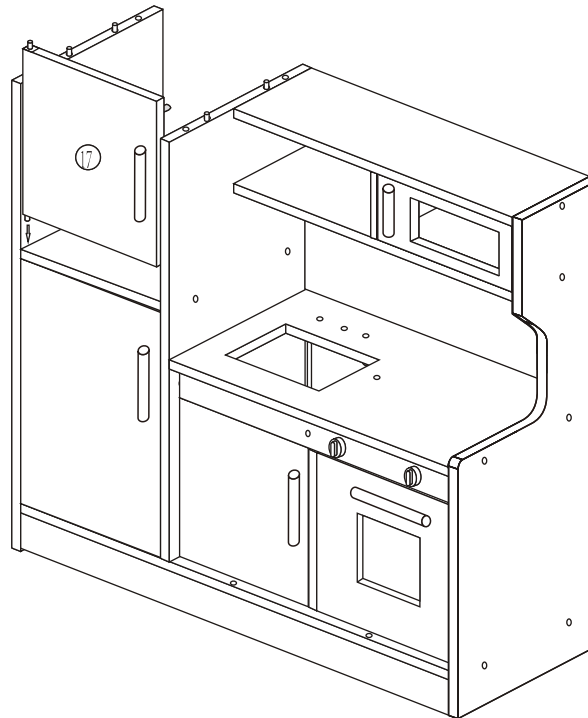
19



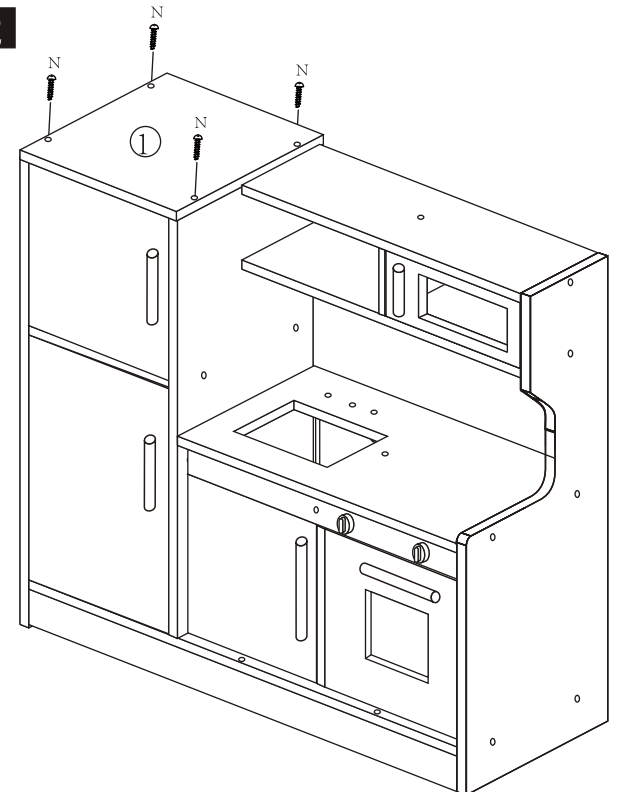
20



21



22



**⚠ CAUTION:**

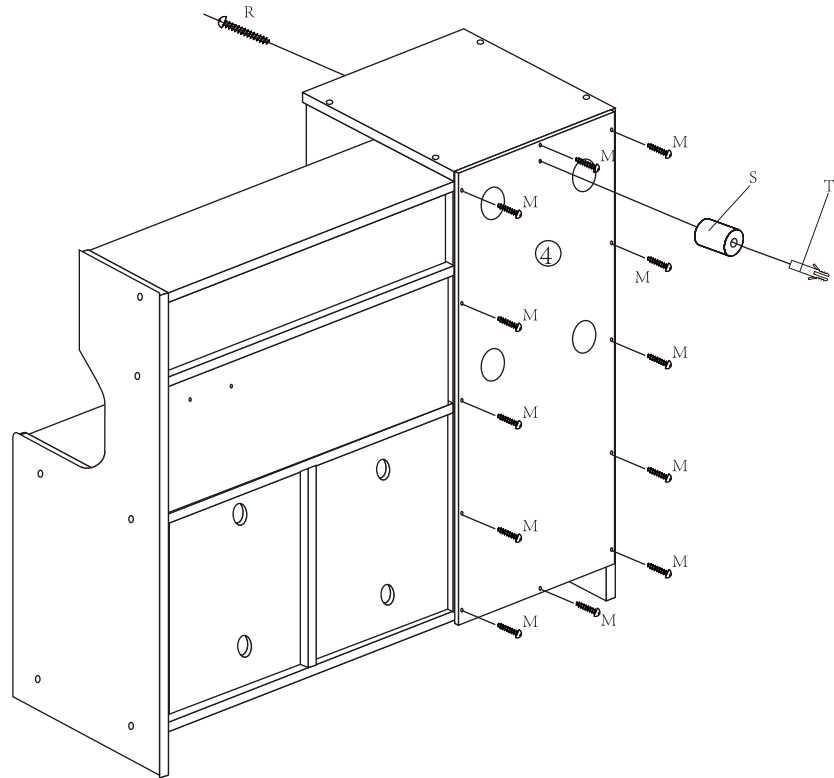
ADULT ASSEMBLY IS REQUIRED. HARDWARE CONTAINS SCREWS WITH SHARP POINTS. KEEP UNASSEMBLED PARTS OUT OF THE REACH OF SMALL CHILDREN. ADULT SUPERVISION IS RECOMMENDED. THIS IS A TOY, FOR ROLE PLAY ONLY.

**⚠ WARNING**

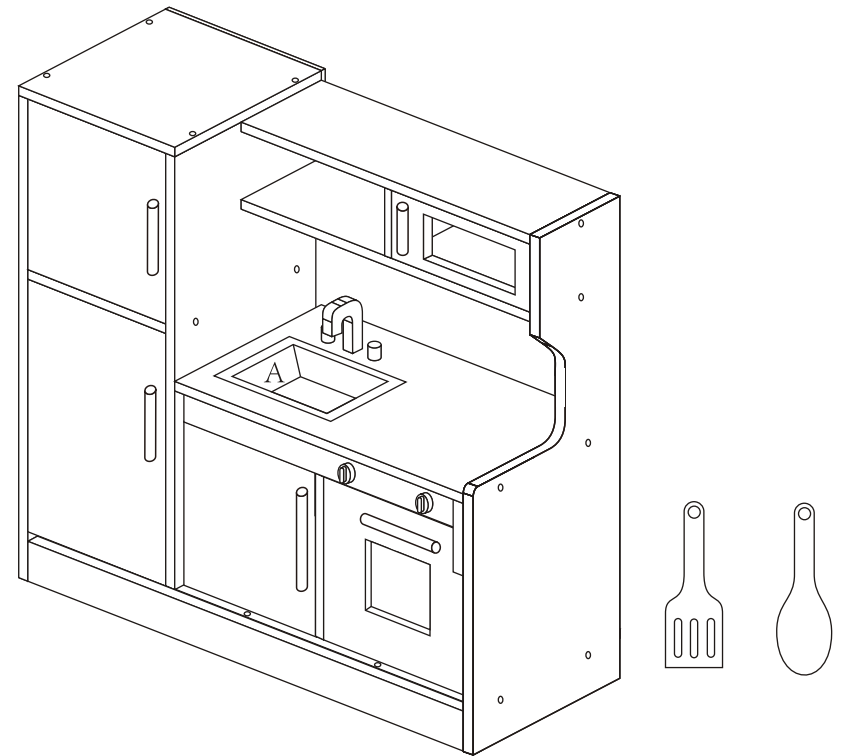
CHOKING HAZARD-SMALL PARTS.  
NOT SUITABLE FOR CHILDREN UNDER 3 YEARS.

23

For safe use of this kitchen we recommend that you secure it to the wall with the wall screw included. Drill a hole for the wall anchor the same size so that it sits in the hole snugly. Screw part R pass through part ④ and S into part T wall anchor.



24



**CAUTION:**

ADULT ASSEMBLY IS REQUIRED. HARDWARE CONTAINS SCREWS WITH SHARP POINTS. KEEP UNASSEMBLED PARTS OUT OF THE REACH OF SMALL CHILDREN. ADULT SUPERVISION IS RECOMMENDED. THIS IS A TOY, FOR ROLE PLAY ONLY.

**WARNING**

CHOKING HAZARD-SMALL PARTS.  
NOT SUITABLE FOR CHILDREN UNDER 3 YEARS.