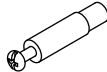
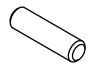




# Assembly Instructions

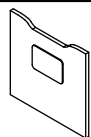
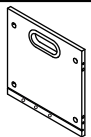
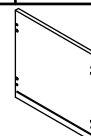
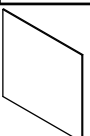
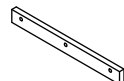
## 42876205 STACKING BOX WHITE

ASSEMBLY INSTRUCTIONS: PLEASE READ THESE INSTRUCTIONS CAREFULLY.  
 PLEASE ENSURE YOU HAVE ALL PARTS BEFORE YOU START ASSEMBLING.  
 PLACE ALL PARTS ON A CLEAN AND FLAT SURFACE.  
 TOOL REQUIRED: PHILIPS HEAD SCREWDRIVER (NOT PROVIDED)  
**MAXIMUM SAFE LOAD WEIGHT: 3KG**

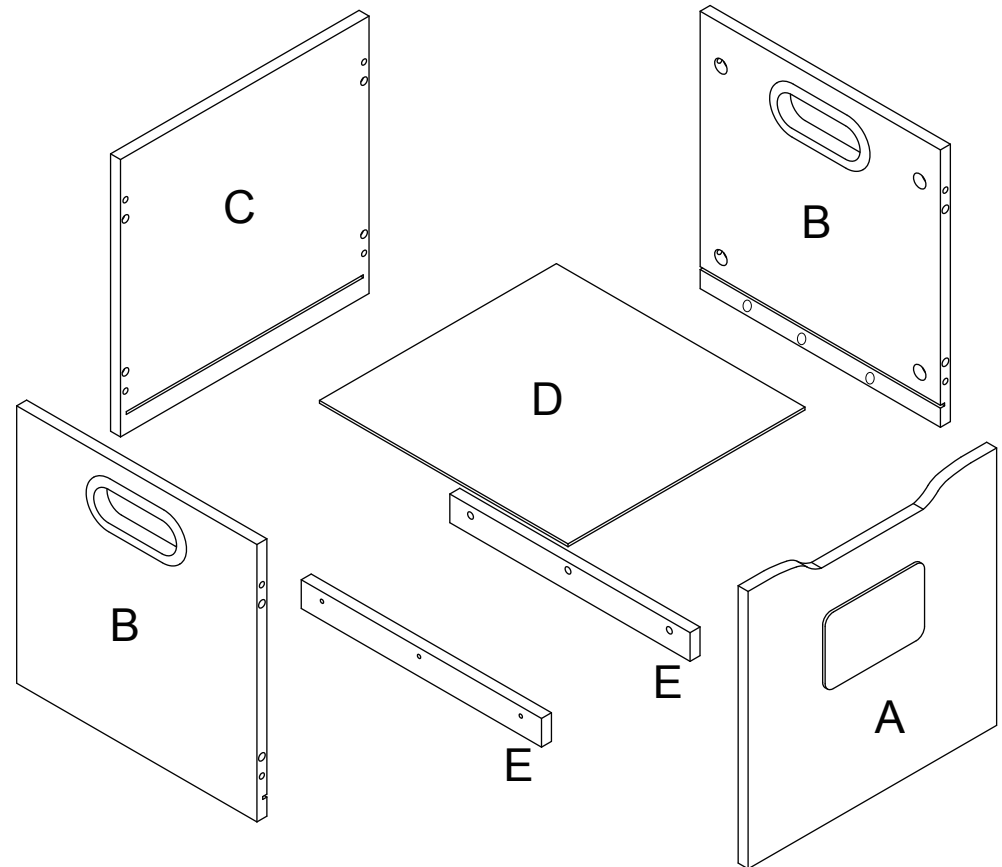
### 1 Hardware List

|   |   |  |      |   |   |         |      |
|---|---|--|------|---|---|---------|------|
|  | ① |  | 8pcs |  | ③ | 6x30mm  | 8pcs |
|  | ② |  | 8pcs |  | ④ | M4x18mm | 6pcs |

### 2

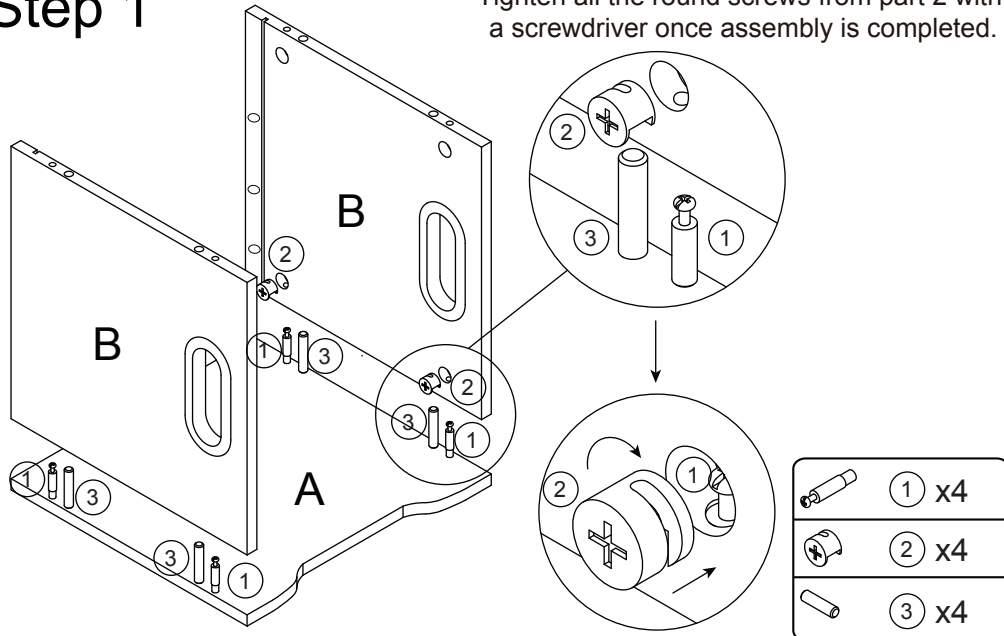
|   |      |   |      |
|---|------|---|------|
|   |      |   |      |
| A   | 1pcs | B   | 2pc  |
|  |      |  |      |
| C   | 1pcs | D   | 1pcs |
|  |      |   |      |
| E   | 2pc  |   |      |

### 3

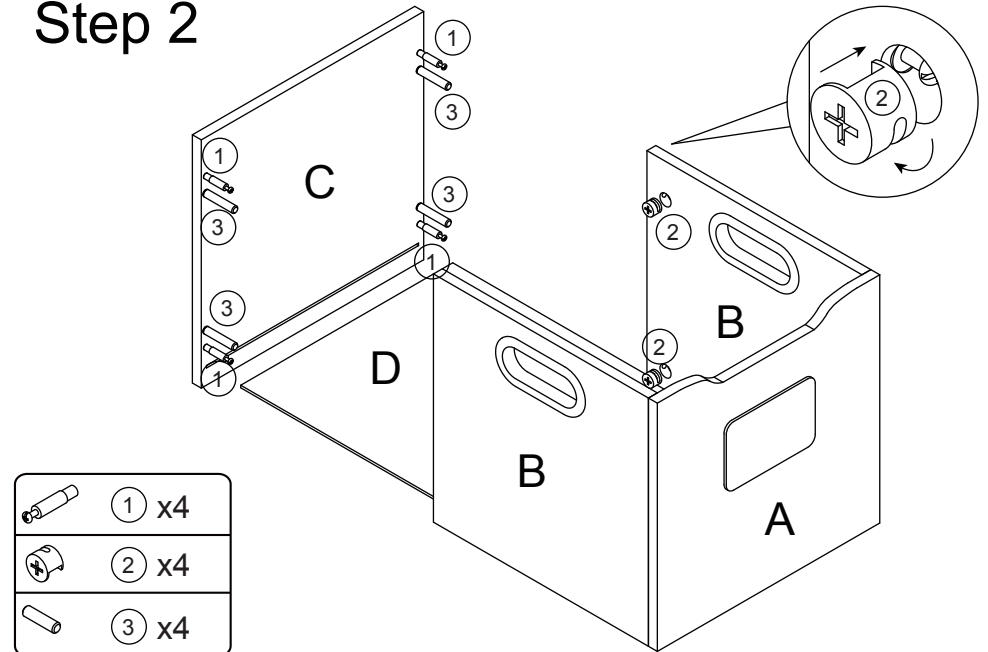


# Step 1

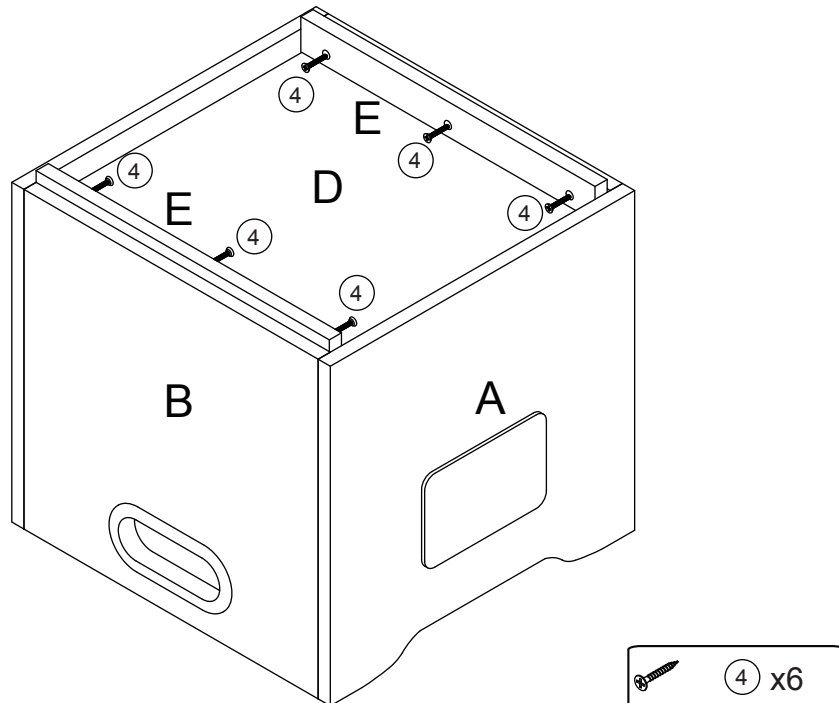
Tighten all the round screws from part 2 with a screwdriver once assembly is completed.



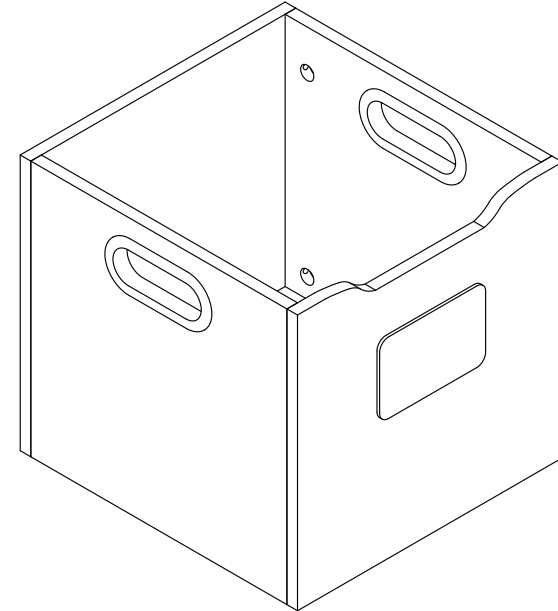
# Step 2



# Step 3



# Step 4



**WARNING:**  
THIS PACKAGE CONTAINS SMALL PARTS AND SHARP POINTS,  
KEEP AWAY FROM CHILDREN UNTIL ASSEMBLY IS COMPLETED.  
ADULT ASSEMBLY REQUIRED.  
MAXIMUM SAFE LOAD: 3KG