

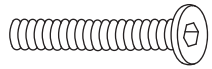
# NURSERY ROCKING CHAIR

## Assembly Instructions

Read all instructions carefully BEFORE assembly and USE of this product.

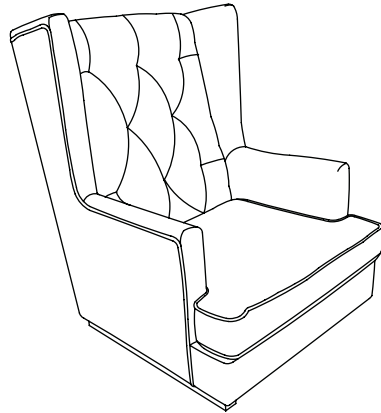
PLEASE KEEP INSTRUCTIONS FOR FUTURE REFERENCE.

AX4



M8x50mm/2in

EX1



BX4



CX4



M8xΦ18mm/0.7in

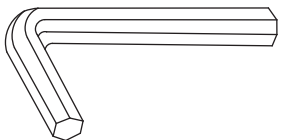
FX2



GX2



DX1



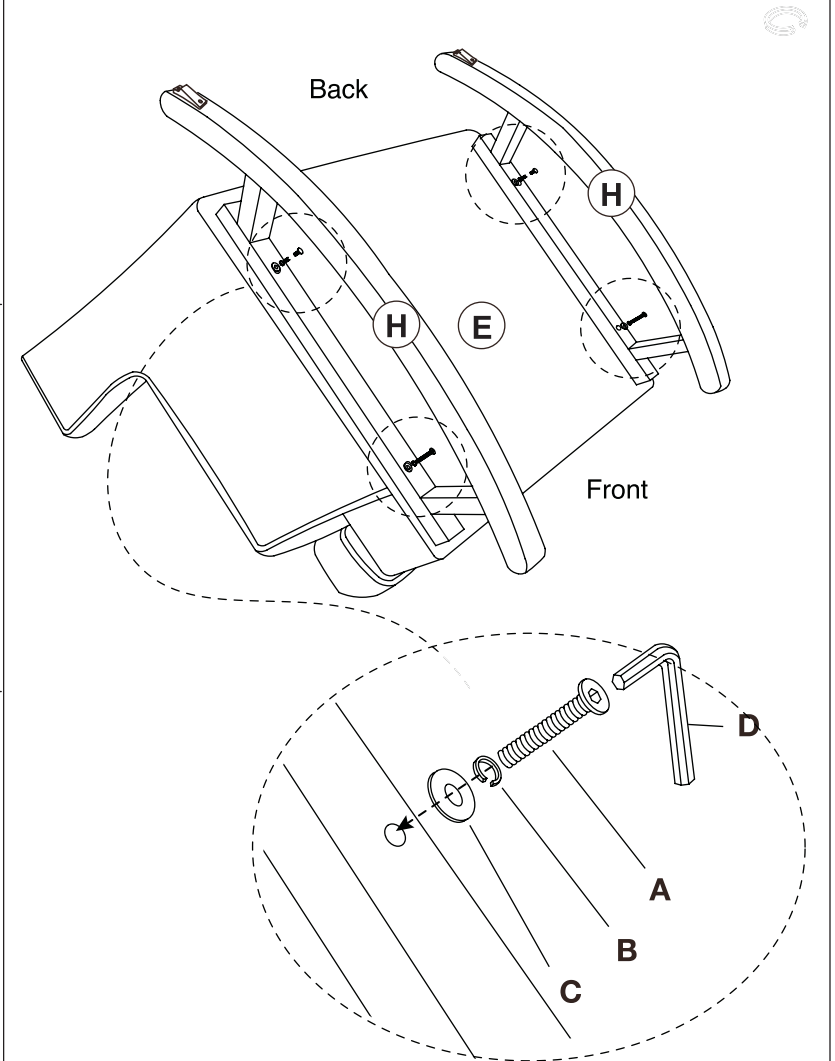
HX2



Front

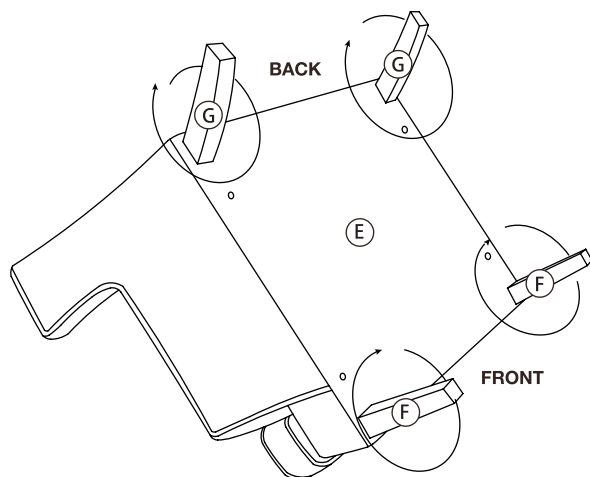
Back

**Option 1: Rocking Chair Step 1:**  
Affix parts E&H with parts A, B & C.



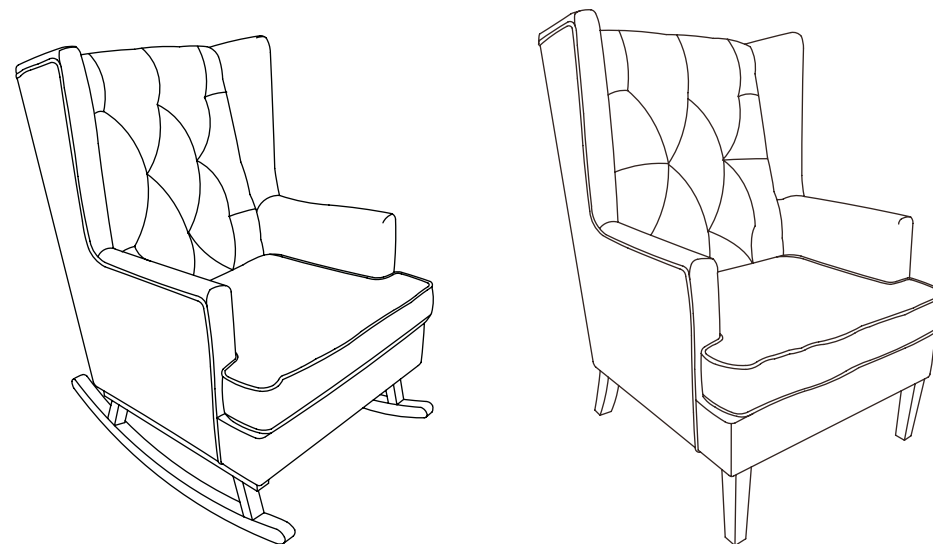
## Option 2: Occasional Chair Step

### 1: Affix parts E , F & G.



Note: please pay attention to the final orientation of parts G and F.

### Step 2: Your chair is ready for use.



#### CARE INSTRUCTIONS:

WIPE CLEAN WITH A SOFT DAMP OR DRY CLOTH. SPOT CLEAN ONLY IF NEEDED.  
DO NOT USE ABRASIVE MATERIALS AND SOLVENTS. CHECK AND TIGHTEN ALL PARTS  
REGULARLY. KEEP AWAY FROM WATER AND DIRECT SUNLIGHT. STORE IN A DRY PLACE.  
FOR INDOOR AND DOMESTIC USE ONLY.

#### WARNING:

DO NOT STAND ON THIS CHAIR. DO NOT USE THIS CHAIR AS A STEP LADDER. SUITABLE FOR  
ONE PERSON USE ONLY. DO NOT USE UNTIL ALL SCREWS ARE FIRMLY SECURED. USE ONLY  
ON A FLAT SURFACE. FAILURE TO FOLLOW THESE WARNINGS COULD RESULT IN SERIOUS  
INJURY.

**MAXIMUM SAFE LOAD WEIGHT: 100KGS / 220.5lb.**

Drawings in the manual are for visual purposes only. Actual product may vary slightly.  
The manufacturer reserves the right to change any specification or feature without prior notice.

Adult assembly required.

42915911

**MADE IN CHINA**

FOR AU/NZ: IMPORTED FOR KMART STORE IN  
AUSTRALIA AND NEW ZEALAND.

FOR USA: IMPORTED BY ANKO RETAIL INC 19500  
ALDERWOOD MALL PARKWAY LYNNWOOD WA  
98036 USA.