





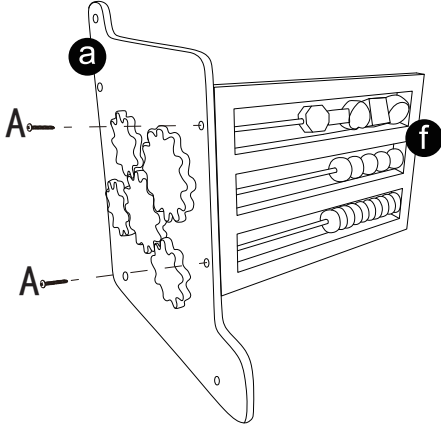
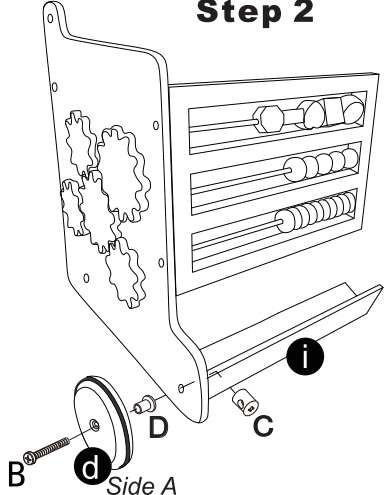


6 in 1 Activity Cube and Walker

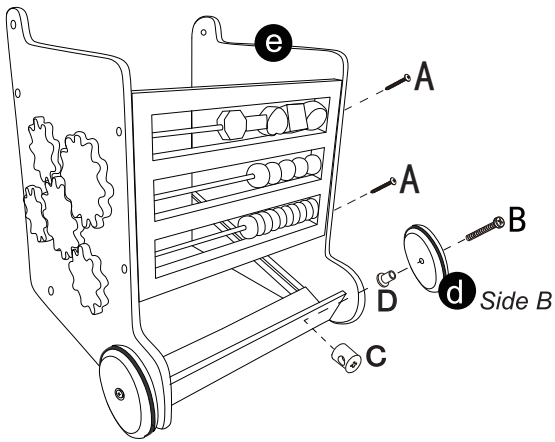
Assembly Instruction

Keycode: 42946755

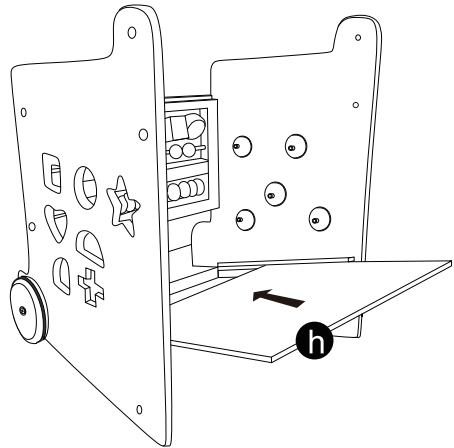
HARDWARE	PARTS LIST
<p>A  (3.9mm(D)x24mm(L))x10</p> <p>B  (5.8mm(D)x52.6mm(L)) x4</p> <p>C  x4</p> <p>D  x4</p> <p>E  (4mm(D)x26mm(L)) x2</p> <p>The following tool (not included) is required for assembly :</p> <p>Screwdriver</p> 	<p>ASSEMBLY</p> <p>Step 1</p>  <p>Step 2</p> 
<p>WARNING:UNASSEMBLED PARTS CONTAIN SCREWS AND WITH FUNCTIONAL SHARP POINTS. PLEASE KEEP UNASSEMBLED PARTS WAY FROM CHILDREN.</p> <p>WARNING:ITEM TO BE ASSEMBLED BY AN ADULT ONLY.</p> <p>WARNING:FOR SAFETY REASONS, REMOVE ALL TAGS,LABELS AND PLASTIC FASTENERS BEFORE GIVING THIS TOY TO YOUR CHILD.</p> <p>MADE IN CHINA</p>	

ASSEMBLY

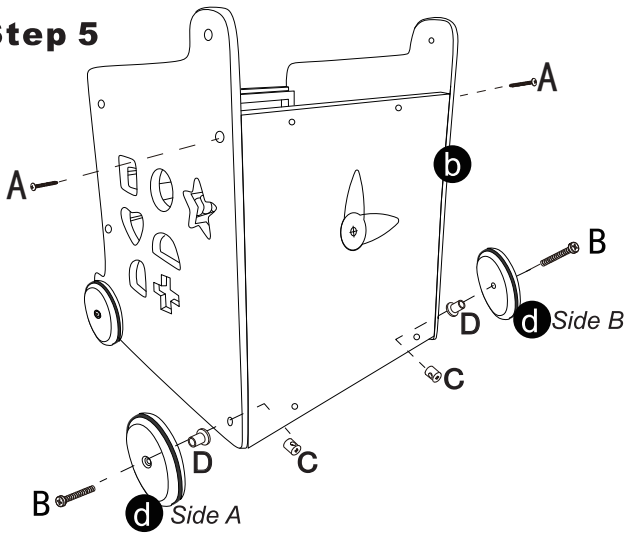
Step 3



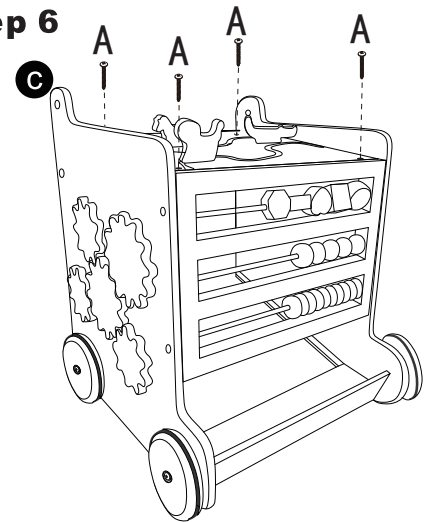
Step 4



Step 5



Step 6



Step 7

