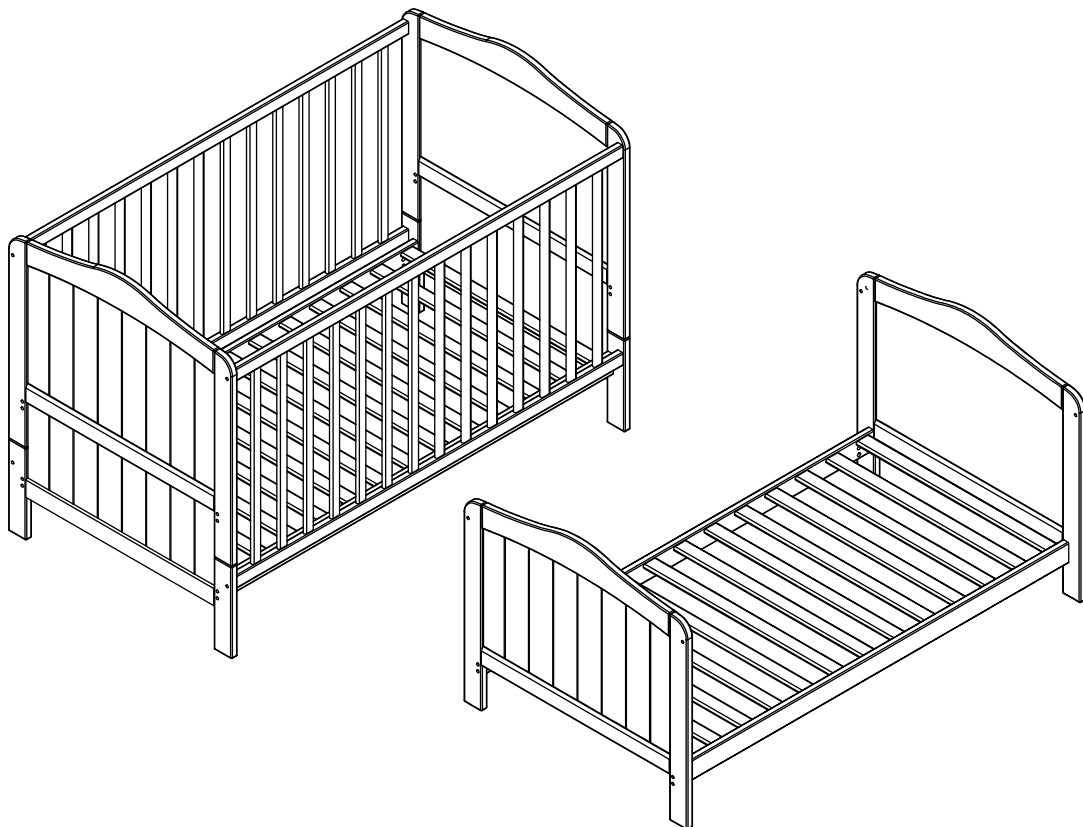


Cot mode:
0-18 months
Maximum weight: 22kg

Toddler bed mode:
15+ months
Maximum weight: 22.7kg

ankko

2-in-1 Wooden Cot INSTRUCTION MANUAL



The illustrations shown in this manual are for reference only.
The manufacturer reserves the right to change any specification
or feature without further notice.

**IMPORTANT-RETAIN FOR FUTURE
REFERENCE.
READ CAREFULLY**

THESE INSTRUCTIONS ARE IMPORTANT PLEASE READ CAREFULLY AND RETAIN FOR FUTURE REFERENCE

We strongly suggest you read through this leaflet in full, and follow the simple step by step guide to assembly.

WARNING :

Do not leave your child unattended.

The correct use and maintenance of your cot bed will ensure it provides long and trouble-free use.

CARE & MAINTENANCE

- Scuff marks may be removed with a damp cloth.
- Occasional use of furniture polish will maintain the good looks of your cot.
- Periodically check all screw fixings to ensure they remain tight.
- To keep the natural aspect, the surfaces were painted with a protection varnish. The beauty of your furniture can be maintained by cleaning it with a soft dust absorbing cloth. Occasionally a water-humidified cloth can be used and in this case, ensure to dry the furniture with a dry cloth.
- All furniture can be damaged by knocks and scrapes - if you dent the surface or break the seal of the lacquer, rub some solid wax into the dent to exclude the atmospheric moisture.

WARNING :

TO PREVENT FALLS, THE MATTRESS BASE OF THIS COT SHOULD ALWAYS BE ADJUSTED TO THE LOWEST POSITION BEFORE THE CHILD CAN SIT UP UNAIDED.

MATERIALS

This cot bed is made of solid wood and MDF. Wood is a totally natural material therefore no two pieces are ever identical in pattern or colour. As wood furniture gets older, its colour may change due to being exposed to light and air, so any new pieces may look a shade different to those you already have. Don't be concerned about this, as the colour difference will diminish over a small period of time.

ASSEMBLY

Before starting the assembly, please read through these instructions. Then carefully unpack your cot and check that you have a complete set of parts against the list. We recommend that you assemble your cot on a clean, flat surface, making sure there are no sharp objects present that may mark or damage the panels.

CAUTION

There are many small components used in the construction of this cot bed. These items should be kept out of reach of young children whilst assembling the unit.

INSTRUCTIONS FOR SAFE USE WHEN IN COT MODE:

Note: 2 height positions in this mode

- This cot has been manufactured for use with a mattress which measures 690 mm wide x 1300 mm long and no more than 150 mm thick.
- The width and length are specified because it is important that the gaps between the mattress, sides and ends will not exceed 40 mm when the mattress is pushed to one corner of the cot and 20 mm when the mattress is in the centre of the cot.
- The thickness of the mattress has been specified to ensure that the depth of the cot is greater than 500 mm when the base is in the lowest position to minimise the risk of a child climbing or falling out.
- The age range when in cot mode is from birth to 18 months or less than 22kg.

WARNING: Be aware of the risk of open fire and other sources of strong heat, such as electric bar fires, gas fires, etc. in the near vicinity of the cot.

WARNING: Ensure that the cot is placed in reasonable distance from curtains, blinds, heaters and electric power points.

WARNING: Always keep the following out of reach from any position in the cot: medication, strings, elastic, small toys or small items such as money.

WARNING: Do not use the cot if any part is broken, torn or missing and use only spare parts provided by the manufacturer.

WARNING: Do not use more than one mattress in the cot.

The lowest position is the safest. The base should always be used in this position as soon as the baby is able to sit up unaided.

WARNING: All assembly fittings should always be tightened properly, checked periodically, and care should be taken to ensure no screws are loose, as a child could trap parts of the body, or clothing (e.g. strings, necklaces, ribbons from baby pacifiers), which could pose a risk of suffocation and strangulation.

WARNING: To prevent injury from falls, do not use this cot if the child is able to climb out of it.

WARNING: Children are likely to play, bounce, jump and climb on beds, therefore the child's bed should not be placed too close to other furniture or windows, and should be placed either tight up against a wall or have a gap of 300 mm between the wall and the side of the bed.

Cot Mode: Designed and Manufactured to AS/NZS 2172-2013

INSTRUCTIONS FOR SAFE USE WHEN IN TODDLER BED MODE:

Note: 1 height position in this mode

- Recommended mattress size is 690 mm wide x 1300 mm long and no more than 150 mm thick.
- The minimum age shall not be less than 15 months and the maximum weight shall not be greater than 22.7 kg.

WARNING:

INFANTS HAVE DIED IN TODDLER BEDS FROM ENTRAPMENT.

Openings in and between bed parts can entrap the head and neck of a small child.

NEVER use bed with children younger than 15 months.

ALWAYS follow assembly instructions.

WARNING

STRANGULATION HAZARD

NEVER place bed near windows where cords from blinds or drapes may strangle a child.

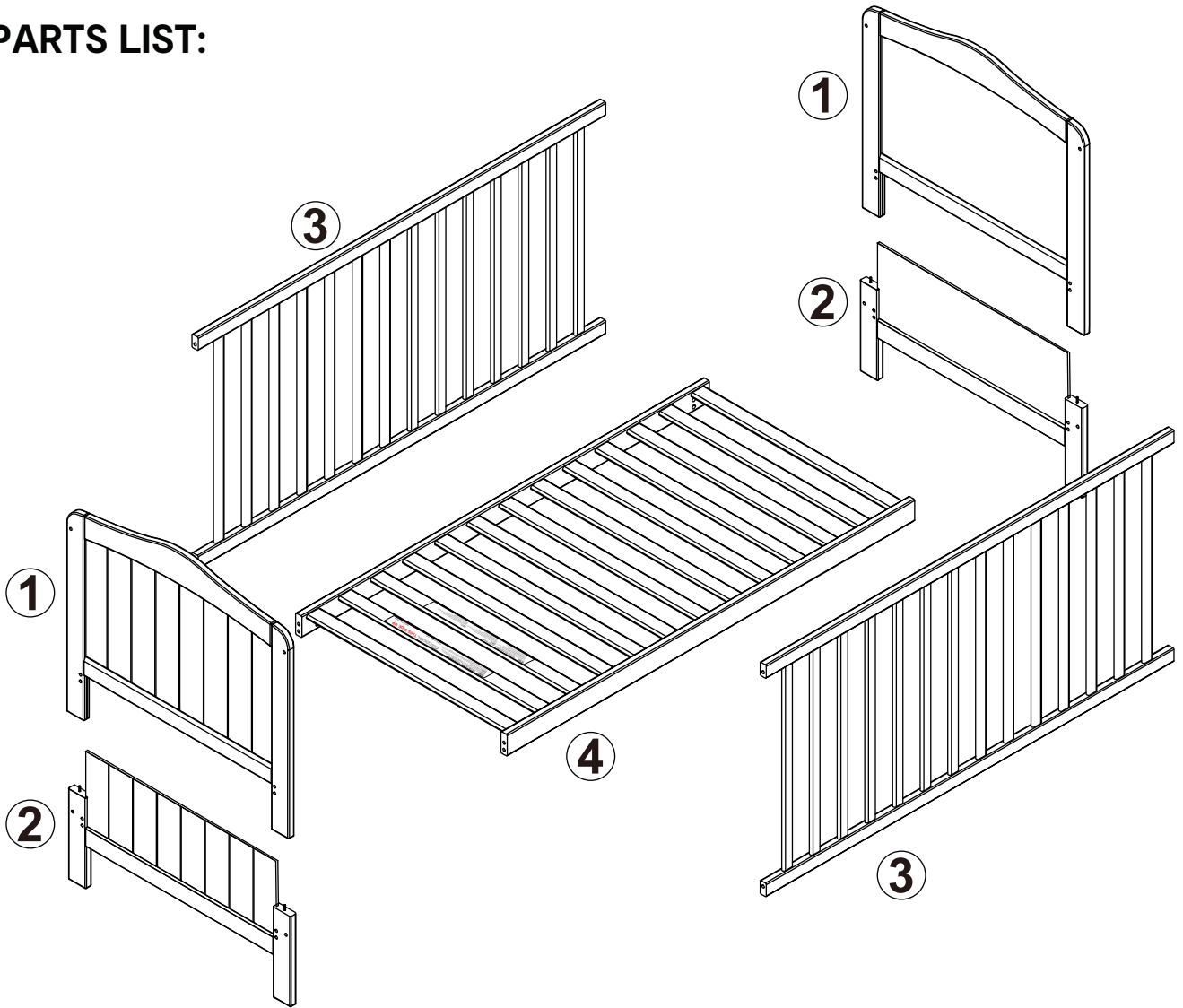
NEVER suspend strings over bed.

NEVER place items with a string, cord, or ribbon, such as hood strings or pacifier cords, around a child's neck. These items may catch on bed parts.

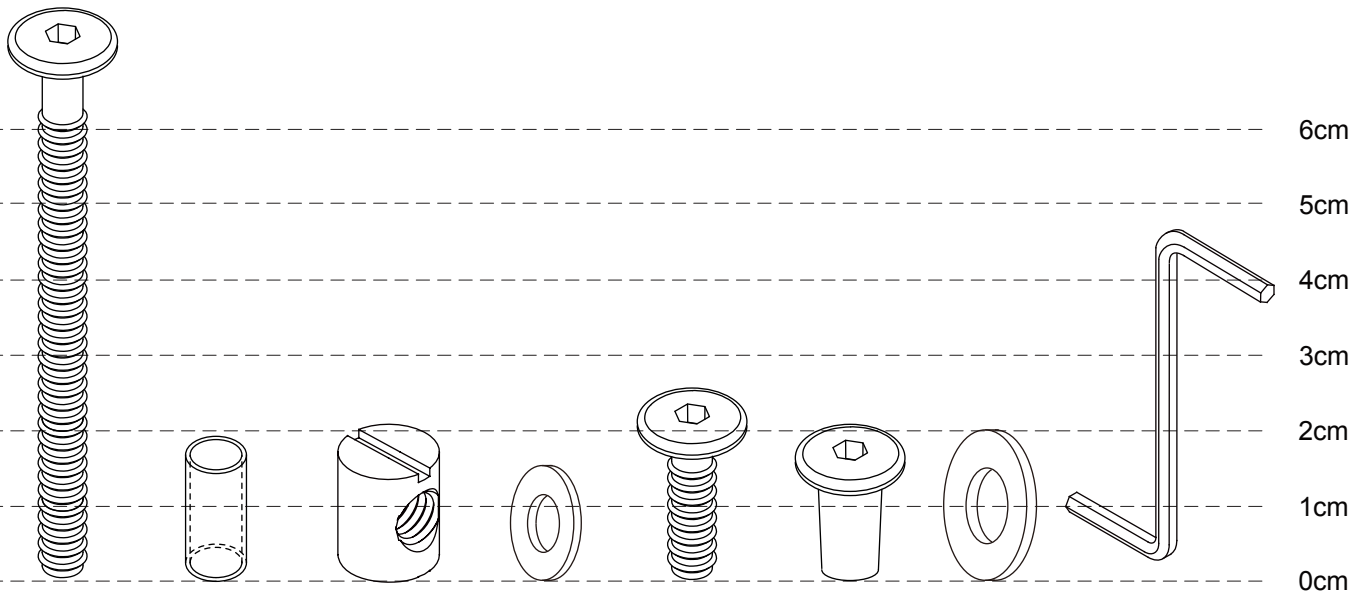
Toddler bed Mode: Designed and Manufactured to ASTM F1821-2019e1

PARTS & HARDWARE

PARTS LIST:



HARDWARE LIST:



16X
M6x70mm

A
Bolt

16X
M6x16mm

B
PVC Tube

16X

C
Nut

24X
M6

D
Plastic
Washer

8X
M6x16mm

E
Bolt

8X
M6

F
Nut

8X
M8

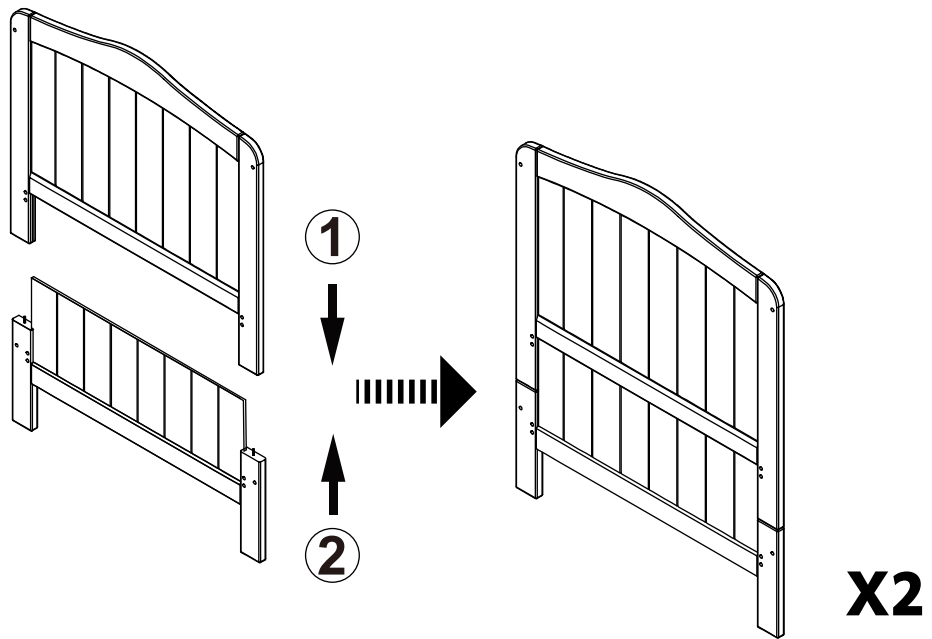
G
Plastic
Washer

2X

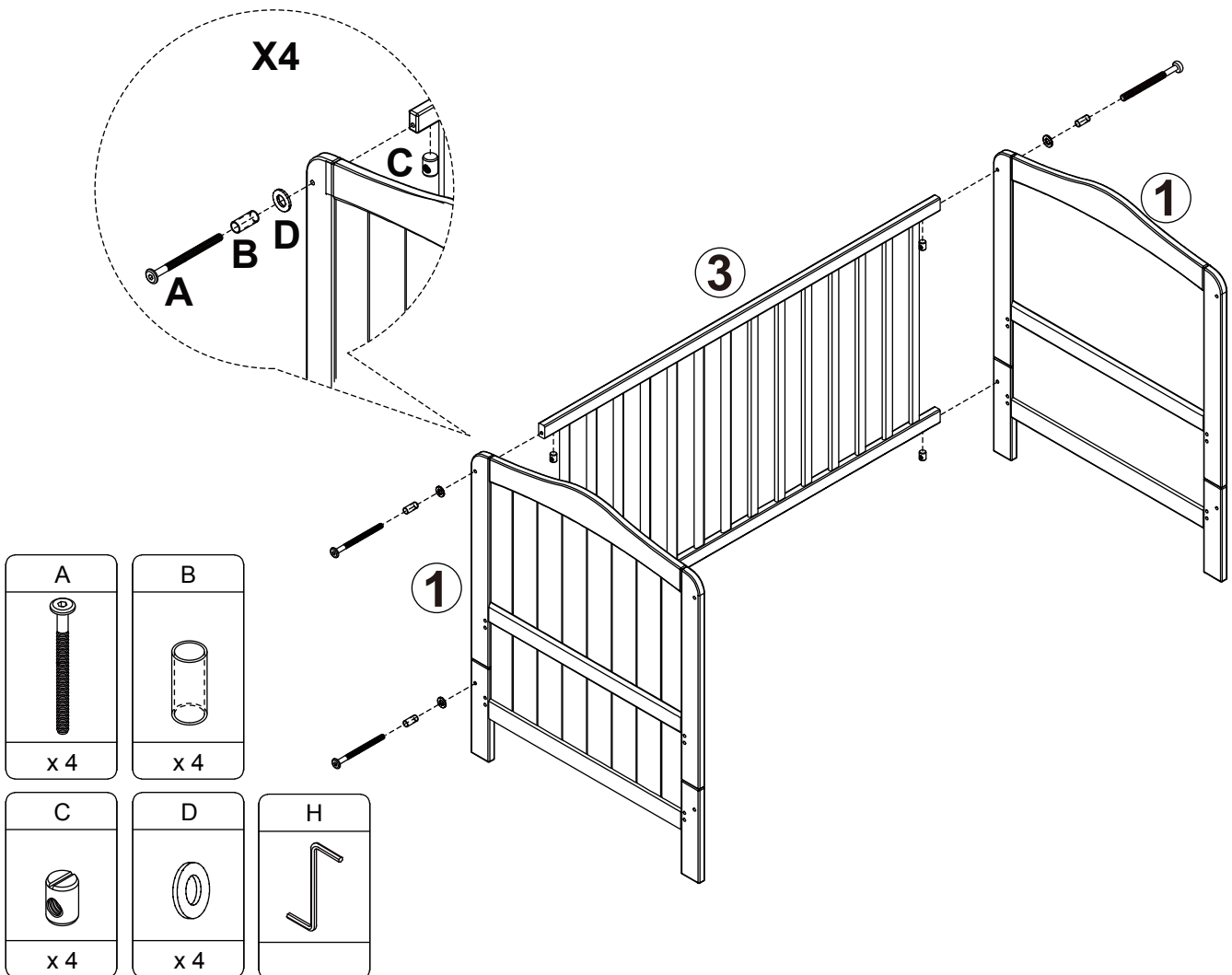
H
Allen Key

COT ASSEMBLY

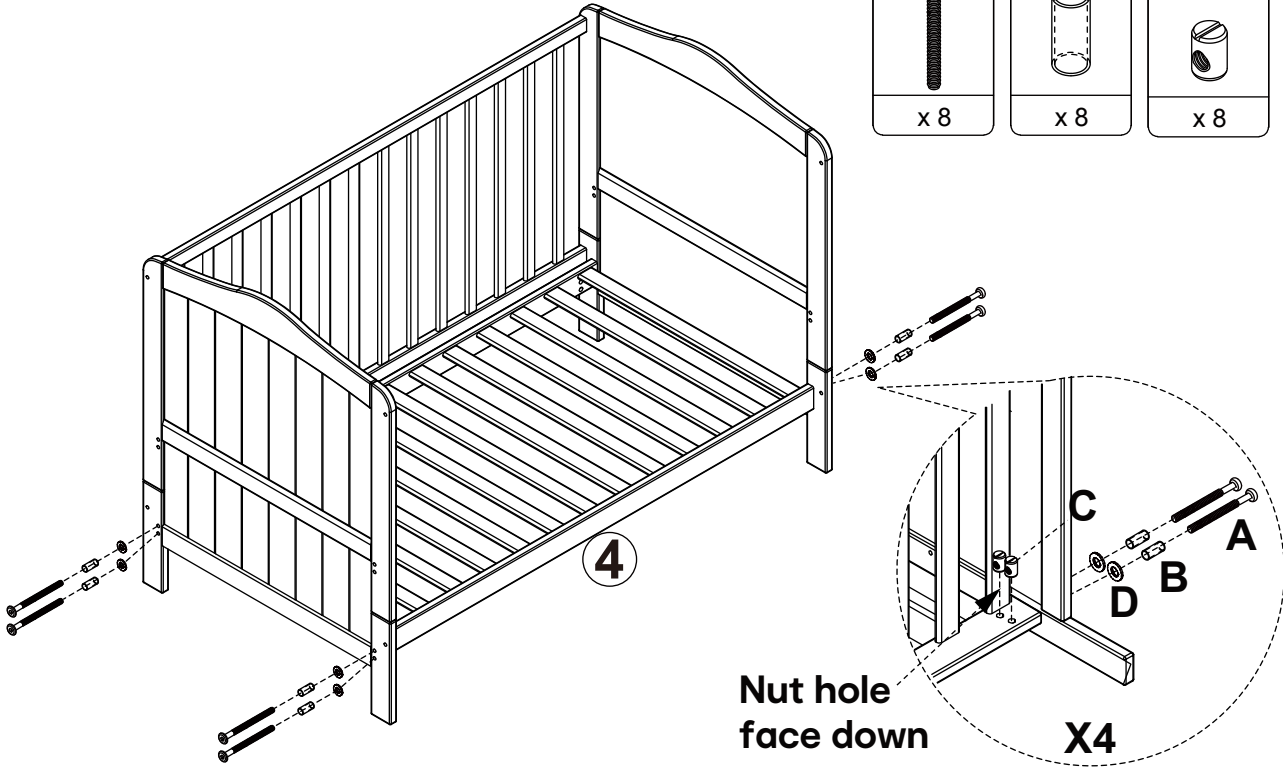
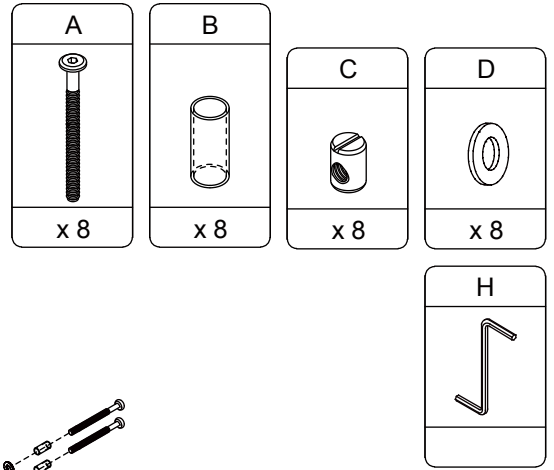
1.



2.

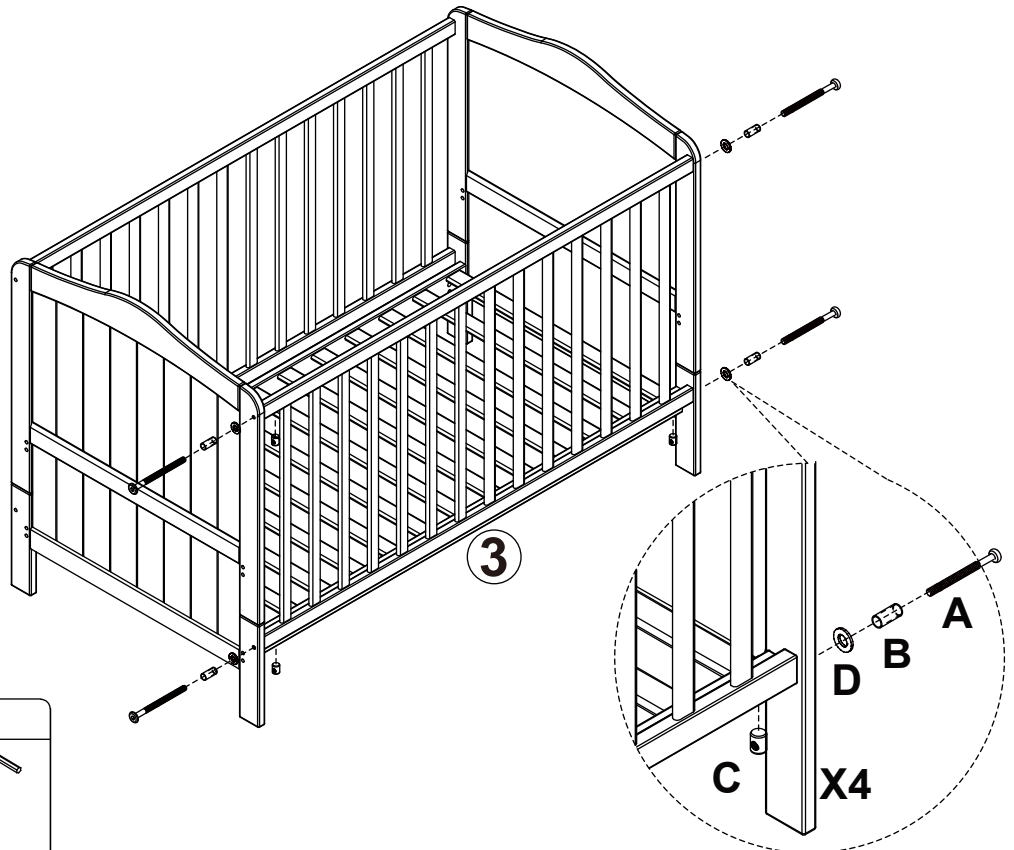
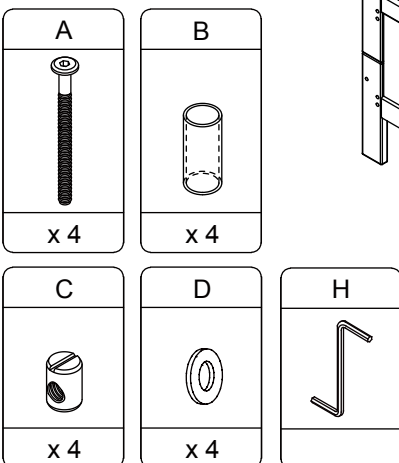


3.

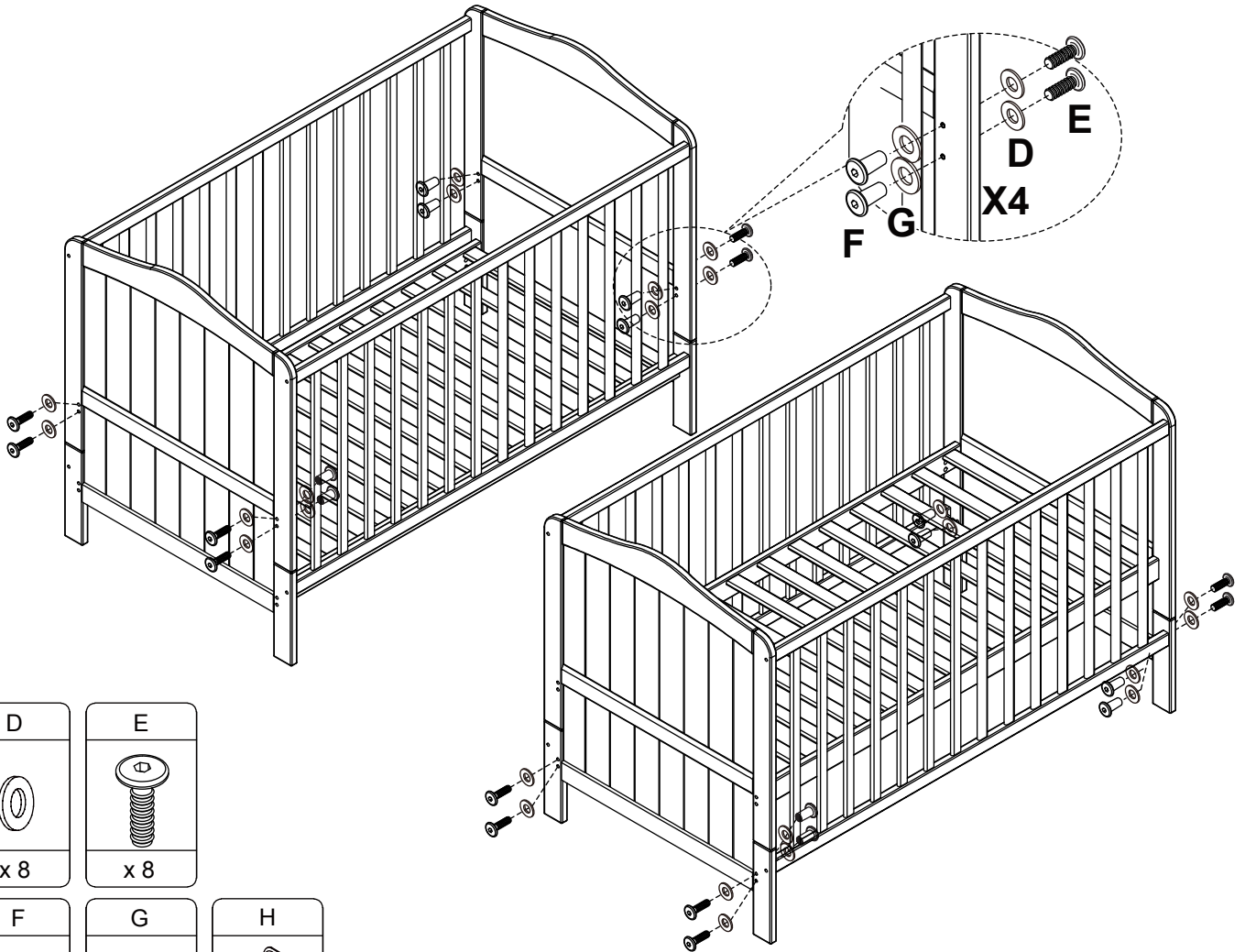


Make sure to face base slats upwards
(see label 'this side up')
Turning base the wrong way will weaken its structure.

4.



5. Refit nuts (E) and bolts (F) to the mattress base mounting holes to prevent possible finger entrapment.

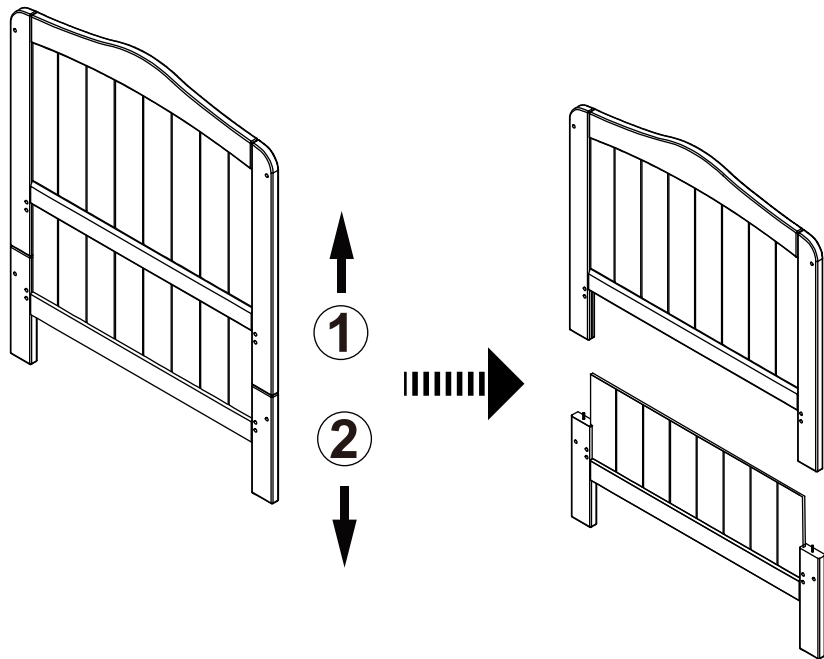


D	E	
x 8	x 8	
F	G	H
x 8	x 8	x 2

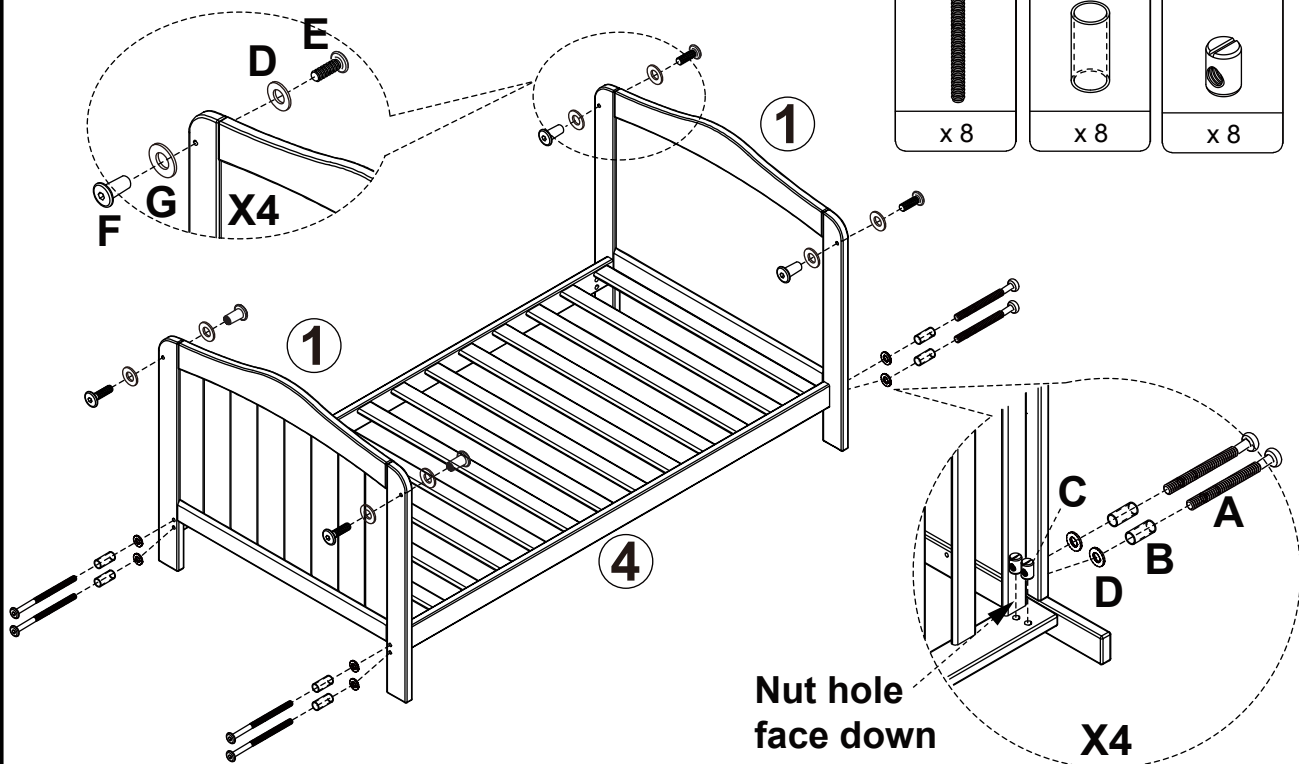
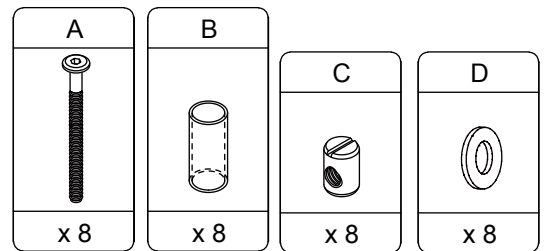
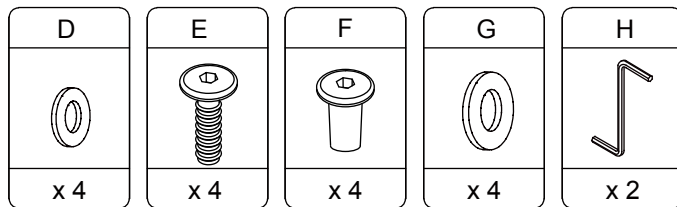
**BASE IN HIGHER
POSITION**

TODDLER BED ASSEMBLY

1.



2.



Make sure to face base slats upwards
(see label **'this side up'**)
Turning base the wrong way will weaken its structure.

keycode 42967804

Made in China

For AU / NZ: Imported for Kmart stores in Australia and New Zealand.