

# Assembly Instructions










## 42971122 8 DRAWER CHEST


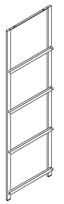

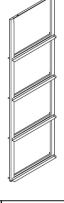




**ATTENTION:**

DO NOT TIGHTEN THE SCREWS UNTIL THE PRODUCT IS FULLY ASSEMBLED.  
FOR INDOOR USE ONLY.

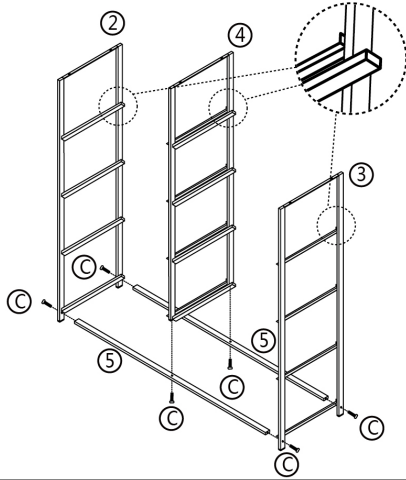
**MAXIMUM LOADING WEIGHT: 10 KG FOR TOP PANEL, 3KG FOR EACH DRAWER.**

**Hardware list**

|   |     |       |   |     |      |
|---|-----|-------|---|-----|------|
|  | (A) | 4PCS  |  | (F) | 2PCS |
|  | (B) | 7 PCS |  | (G) | 2PCS |
|  | (C) | 10PCS |  | (H) | 2PCS |
|  | (D) | 1PC   |  | (I) | 5PCS |
|  | (E) | 2PCS  |   |     |      |

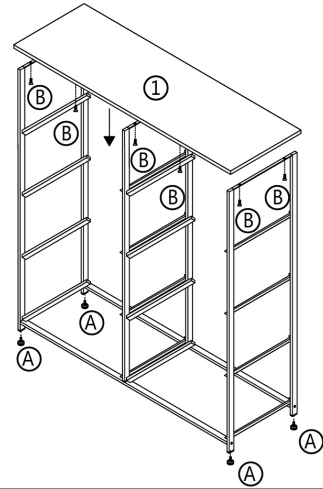
|   |   |   |
|---|---|---|
|  |  |  |
| ① 1PC   | ② 1PC   | ③ 1PC   |
|  |  |  |
| ④ 1PC   | ⑤ 2PCS  | ⑥ 8PCS  |
|   |   |  |
|   |   | ⑦ 8PCS  |
|   |   |  |
|   |   | ⑧ 2PCS  |

**STEP 1**



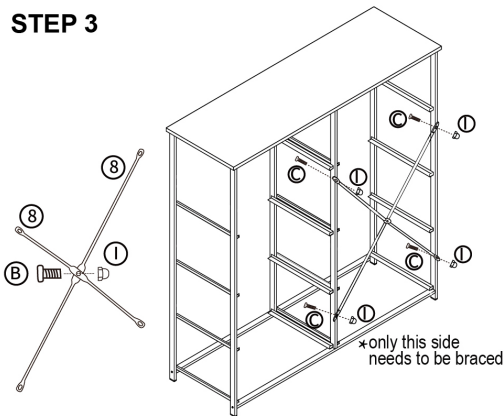
(C) 6pcs

**STEP 2**



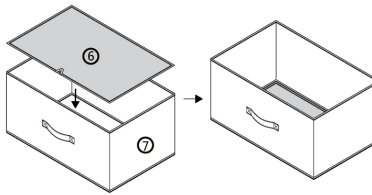
(A) 4pcs (B) 6pcs

**STEP 3**



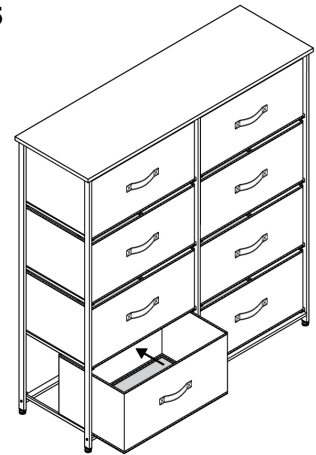
(B) 1pc (C) 4pcs (I) 5pcs

**STEP 4**

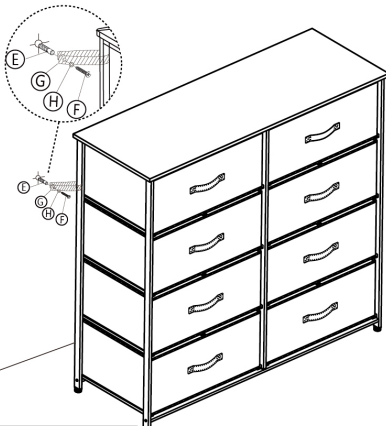


**X8**

**STEP 5**



**STEP 6**



(E) 2pcs (F) 2pcs (G) 2pcs (H) 2pcs

It is strongly recommended that this product is permanently fixed to the wall. Please seek professional advice if you are in doubt of what fixing device to use. Regularly check that anchors are securely maintained.

Check any electrical wires or plumbing inside the wall before drilling any holes (if you are unsure please seek professional advice from a qualified tradesperson).