

Assembly Instructions

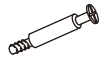




43028153-STORAGE UNIT WITH 3 TUBS OAK LOOK



WARNING: DO NOT STAND, SIT OR LEAN ON THE UNIT. DO NOT USE THIS UNIT AS A STEP LADDER. ENSURE THIS UNIT IS USED ONLY ON A FLAT SURFACE. DO NOT USE THIS UNIT UNLESS ALL BOLTS AND SCREWS ARE FIRMLY SECURED. DO NOT PLACE HOT OBJECTS SUCH AS COFFEE CUPS DIRECTLY ON THE SURFACE OF THIS FURNITURE ITEM. THIS ITEM IS FOR STORAGE PURPOSE ONLY. FAILURE TO FOLLOW THESE WARNINGS COULD RESULT IN SERIOUS INJURY. CONTAINS SMALL PARTS. IT IS TO BE ASSEMBLED BY AN ADULT.

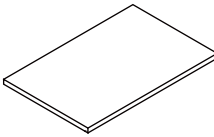
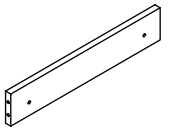
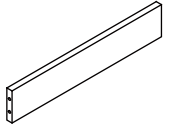

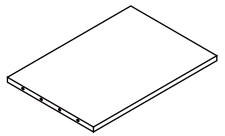
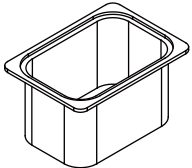
CARE INSTRUCTIONS: WIPE CLEAN WITH A SOFT DAMP CLOTH. NEVER USE SCOURERS, ABRASIVES OR CHEMICAL SOLVENTS. KEEP AWAY FROM MOISTURE AND DIRECT SUNLIGHT. STORE IN A DRY PLACE FOR INDOOR USE ONLY.

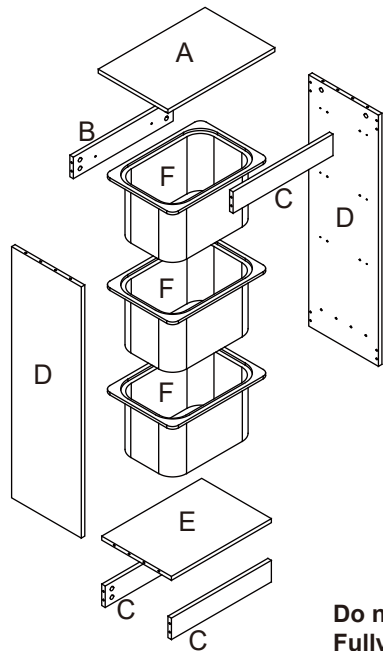
MAXIMUM SAFE LOAD: 10KGS FOR TOP PANEL, 5KGS FOR TUBS, MAXIMUM LOADING 25KGS.

Hardware list

	a	6X35mm	24PCS
	b	15X10mm	24PCS
	c	3X12mm	12PCS
	d	8X30mm	8PCS
	e		6PCS

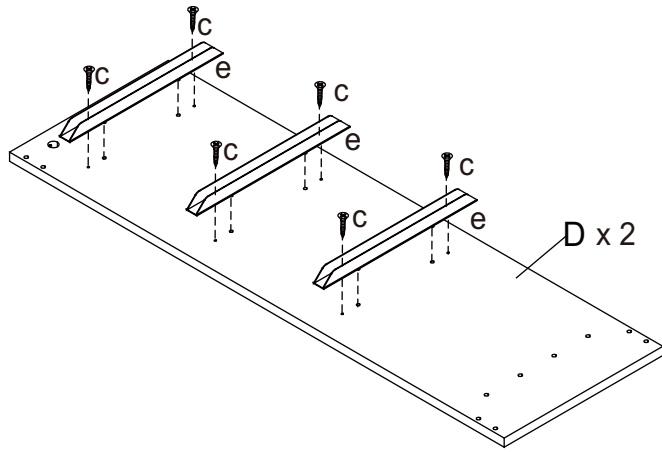
	f	4X40mm	2PCS
	g		2PCS

	A	1 PC		B	1 PC		C	3 PCS
	D	2 PCS		E	1 PC		F	3 PCS

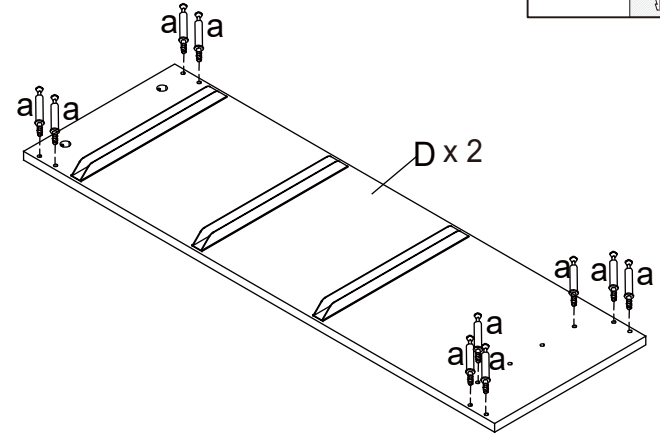
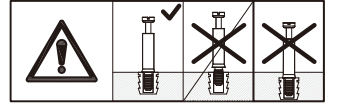


Do not tighten the screws fully during assembly.
Fully tighten screws after the final assembly steps

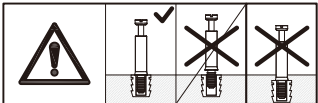
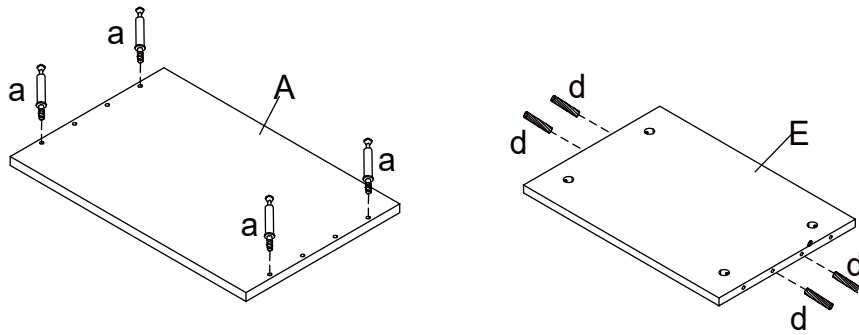
STEP 1



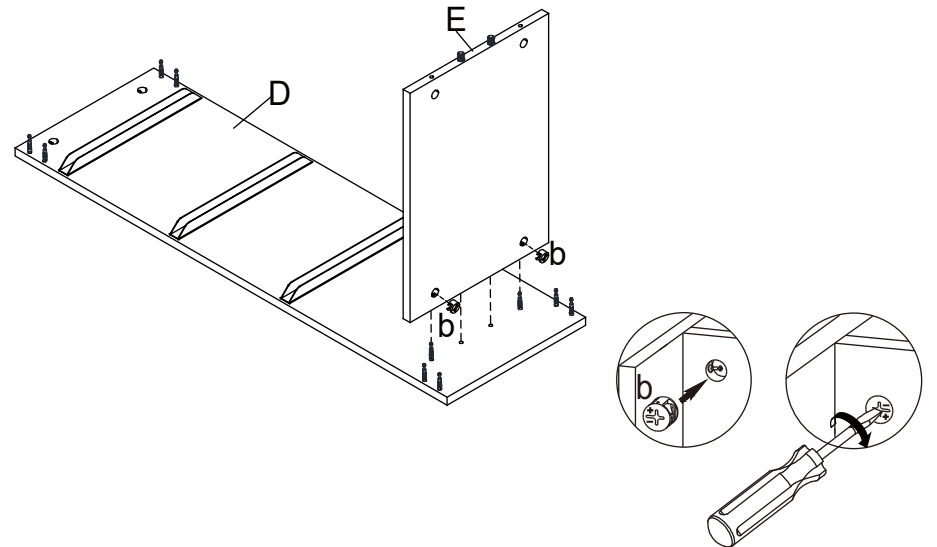
STEP 2



STEP 3

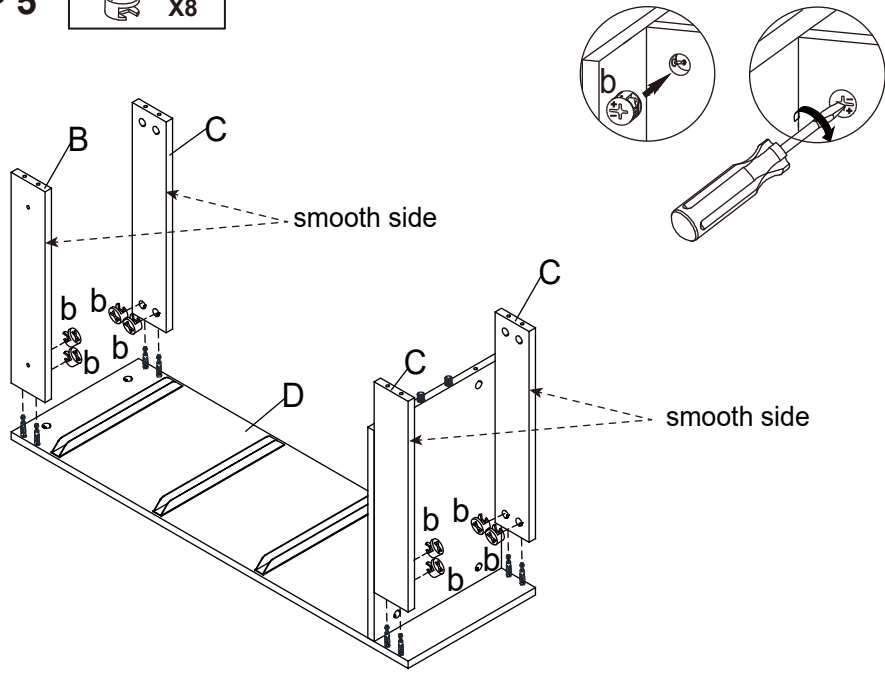


STEP 4



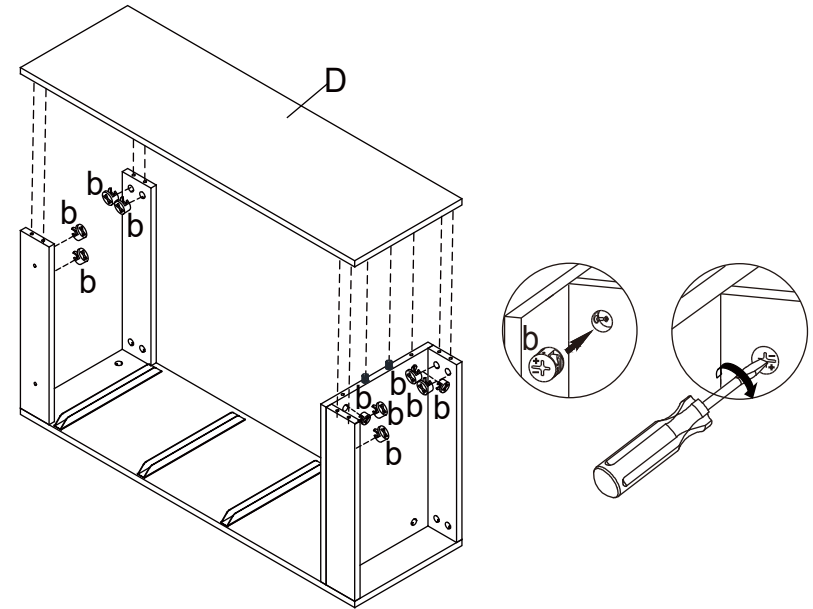
STEP 5

 X8



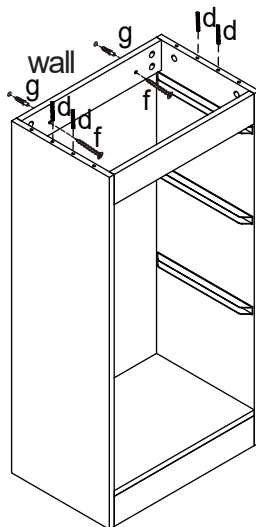
STEP 6

 X10



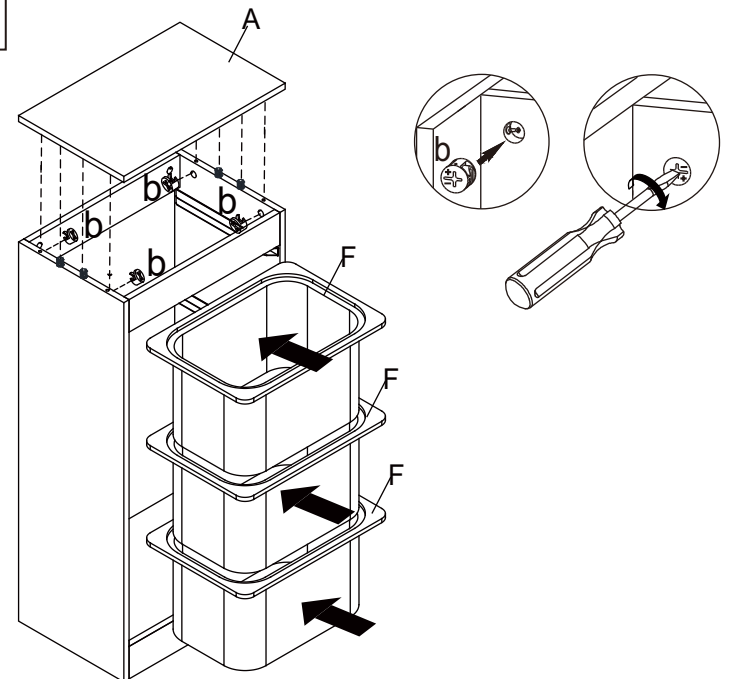
STEP 7

 X4  X2  X2



STEP 8

 X4



USER INSTRUCTION FOR WALL FIXINGS:

It is strongly recommended that this product is permanently fixed to the wall. Please seek professional advice if you are in doubt of what fixing device to use. Regularly check that anchors are securely maintained.

Caution: for your safety when attaching the anchor fixings, please note the following: Check any electrical wires or plumbing inside the wall before drilling any holes (if you are unsure please seek professional advice from a qualified tradesperson)



TOPPLING HAZARD

WARNING: PLEASE SECURE YOUR FURNITURE WITH THE SUPPLIED WALL FIXING. SCAN THE CODE FOR MORE INFORMATION.

