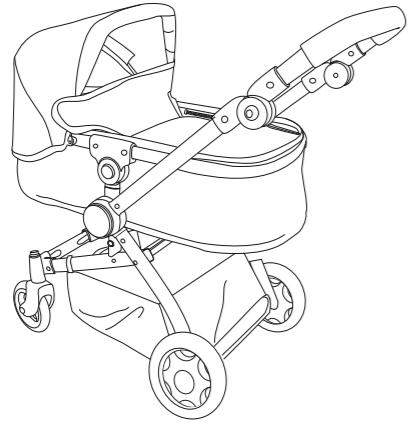


3+ Years

Junior Chrome 3-in-1 Pram



Safety Notes

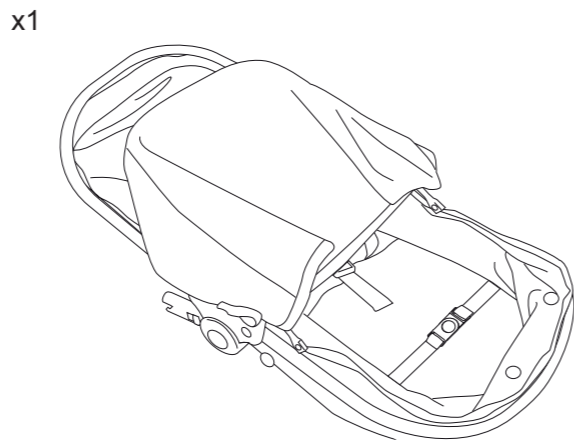
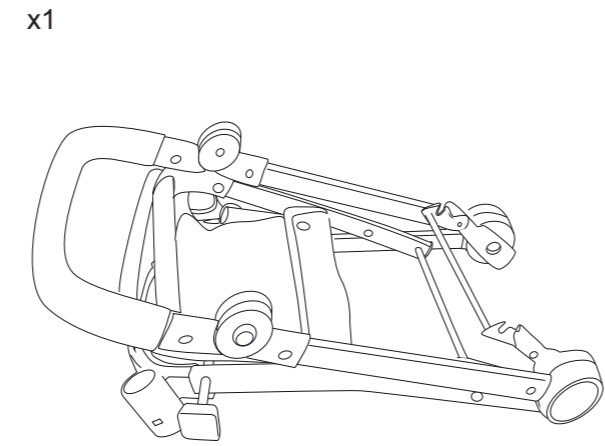
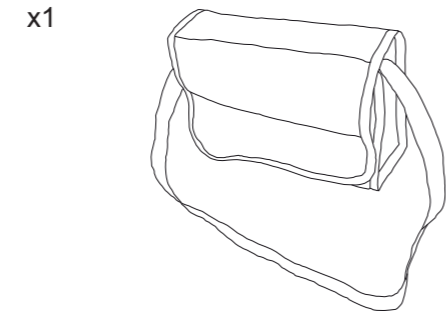
WARNING: CHOKING HAZARD - Small parts, not suitable for children under 3 years. CAUTION: This item is a toy and should only be used with dolls. Not suitable for babies, children or pets. Assembly must be carried out by adults only. Please check condition of item regularly, discontinue use of the item if excessive wear and tear is found. Keep these details for further reference. For safety reasons, remove all tags, labels and plastic fasteners before giving this toy to your child. Product may vary slightly from image shown.

Care Notes

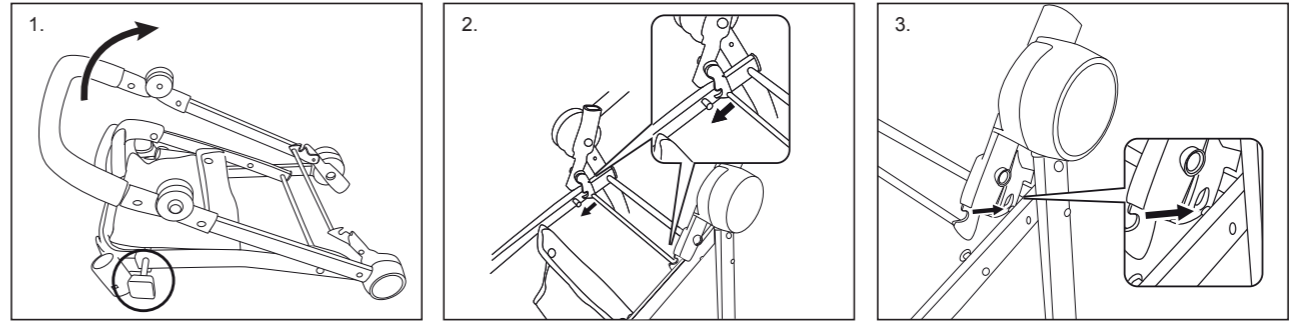
This fabric should not be machine-washed. Please wipe clean using a damp cloth with mild detergent if necessary.

MADE IN CHINA

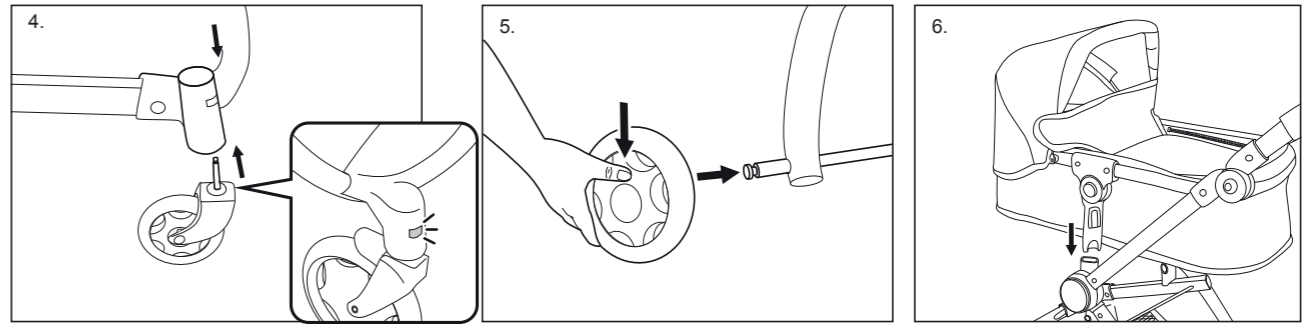
Part List



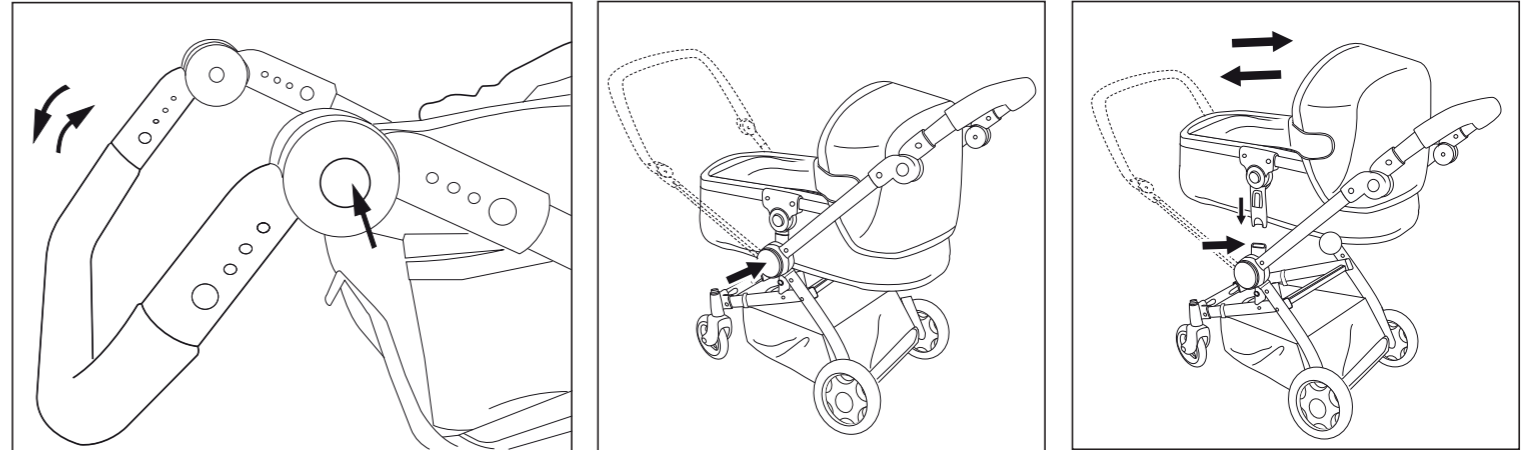
Assembly Instructions



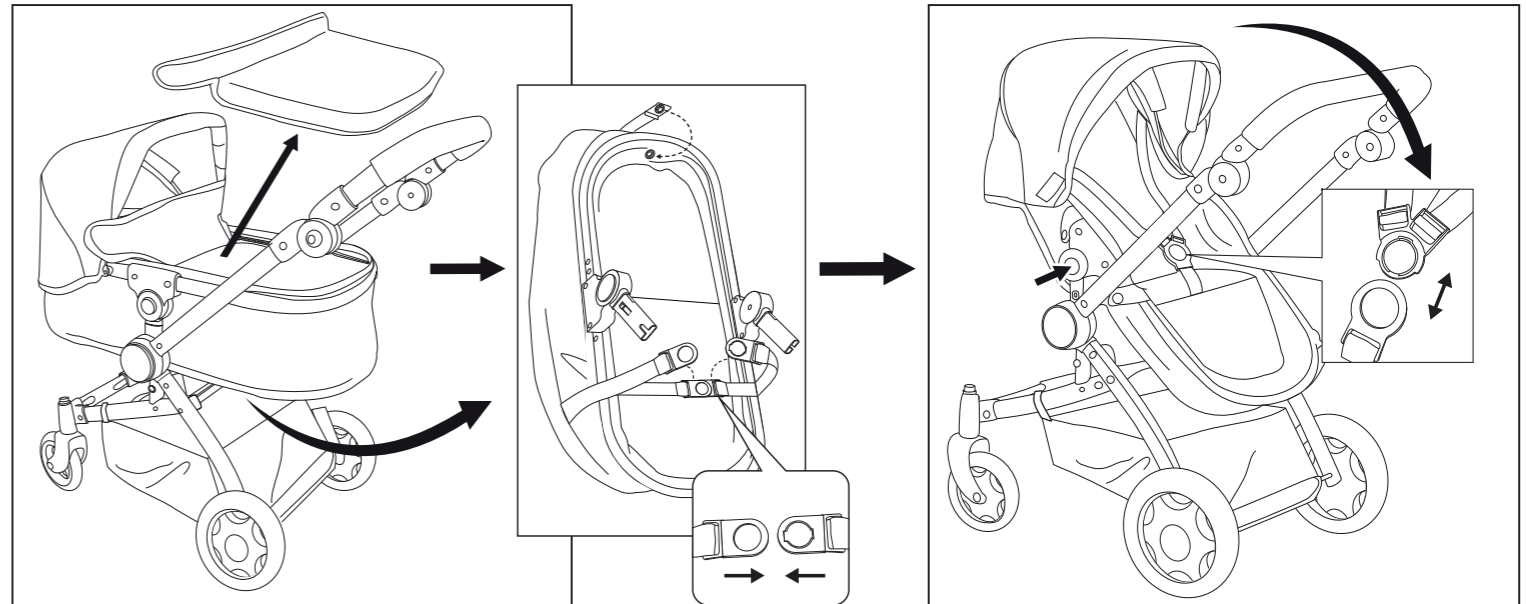
1. Remove the wheel axel protection caps. 2. Tap the lock in hole. 3. Open the main frame in the direction as shown until you hear clink sound.



4. Push the rear wheels into place. 5. Push the rear wheels into place.



6. Push 2 side buttons for up and down. 7. The pram body can be reversed to forward facing by pressing the buttons at the side. 8. The pram body can lift up and insert the other way round.



9. Push the buttons to tilt the basket.