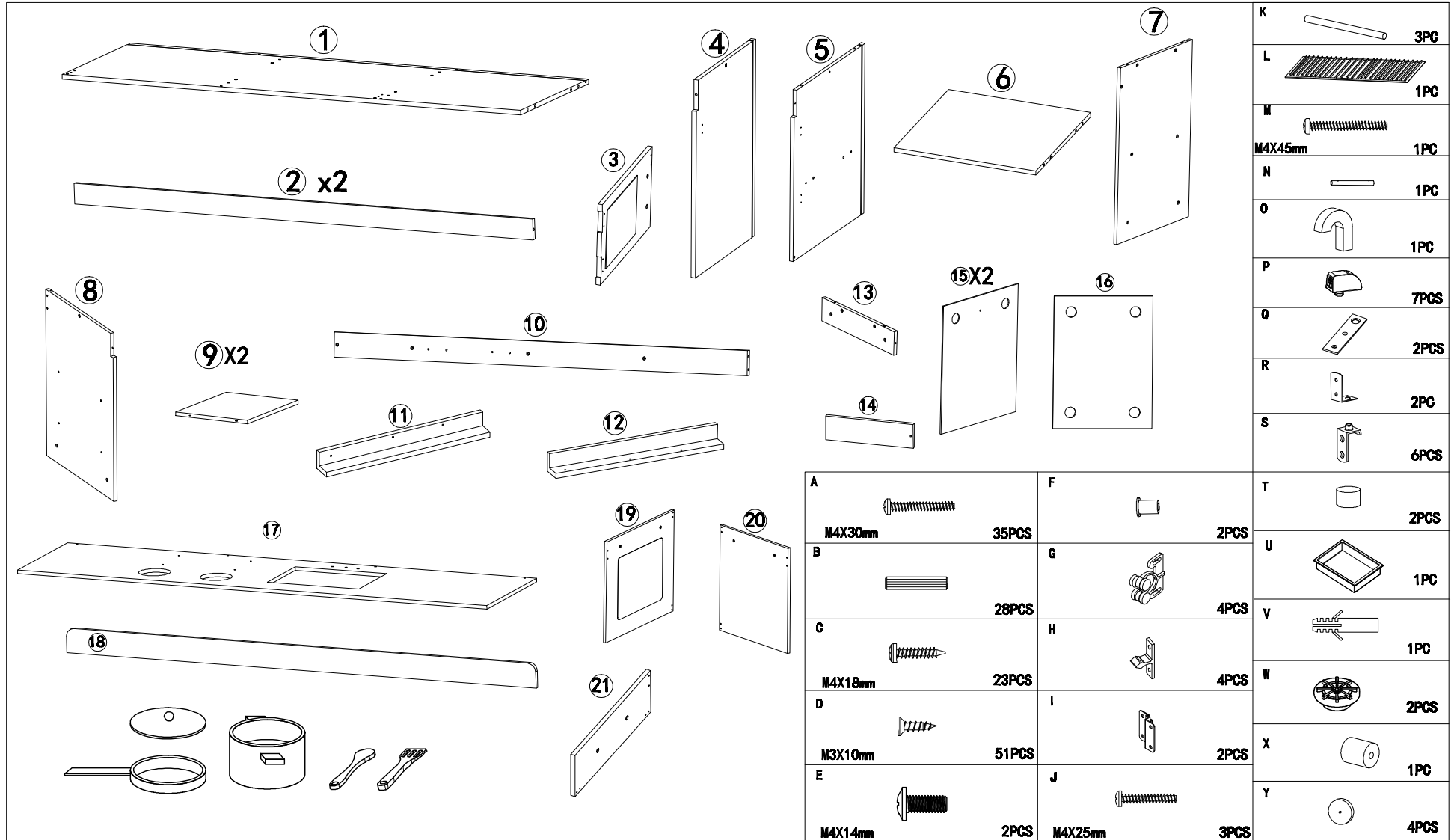


# Assembly Instructions



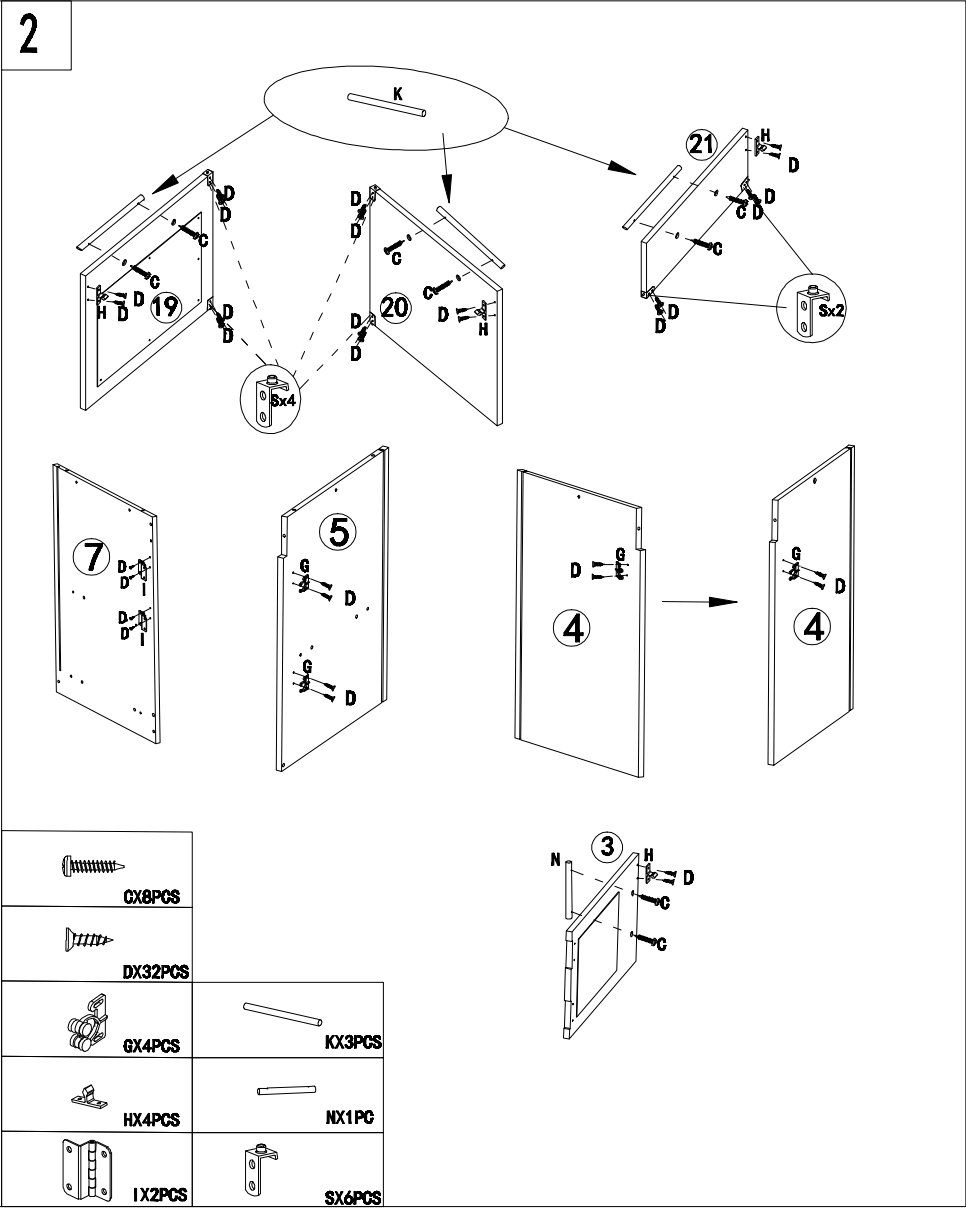
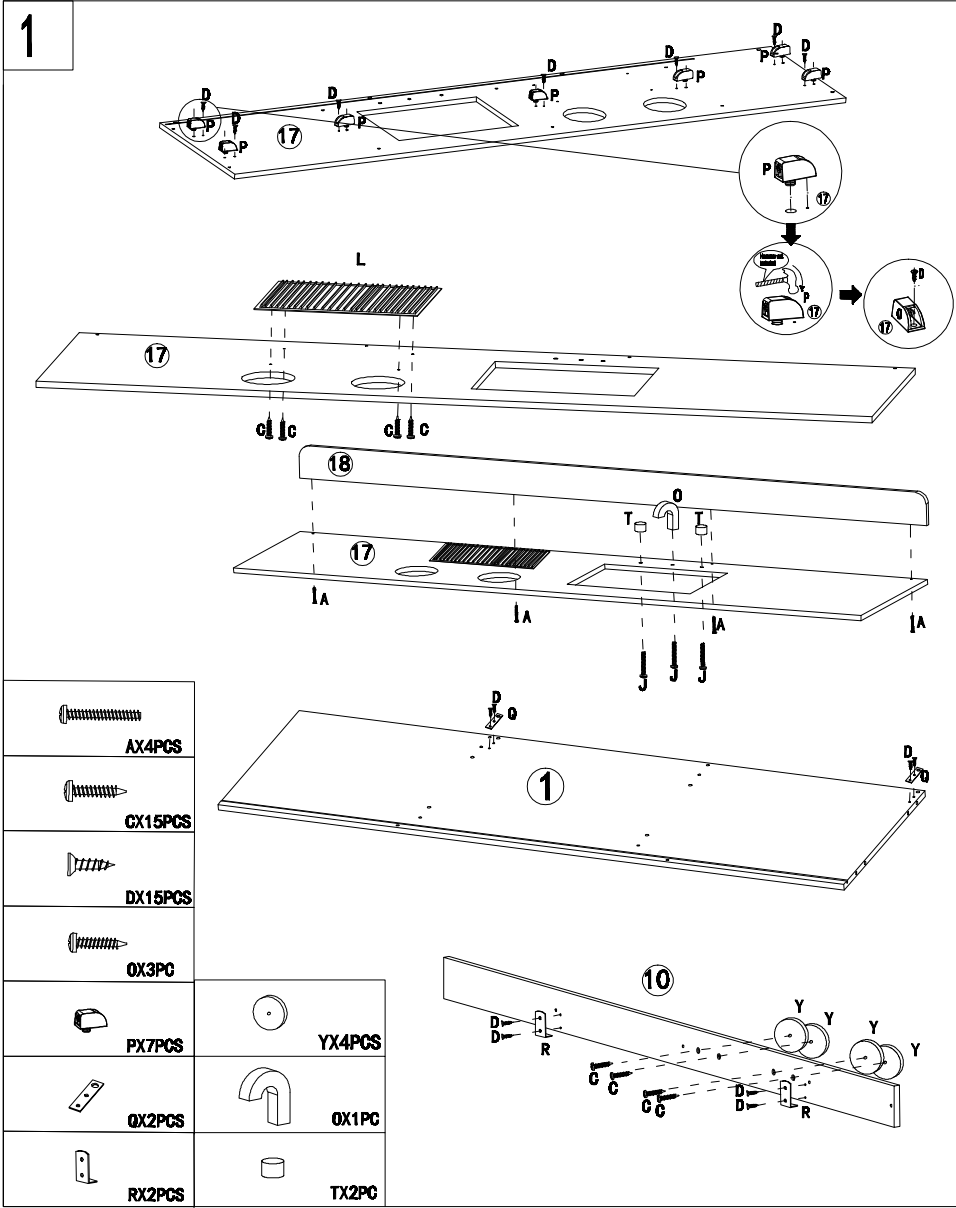
## ⚠ CAUTION:

ADULT ASSEMBLY IS REQUIRED. HARDWARE CONTAINS SCREWS WITH SHARP POINTS.  
KEEP UNASSEMBLED PARTS OUT OF THE REACH OF SMALL CHILDREN. ADULT SUPERVISION IS RECOMMENDED.  
CAUTION: PLEASE CHECK CONDITION OF PRODUCT REGULARLY, AS SCREWS MAY LOOSEN WITH USE OVER TIME.  
TIGHTEN SCREW FITTINGS IF NECESSARY.

WARNING: PLEASE SECURE THIS PRODUCT WITH THE SUPPLIED WALL FIXING.  
REGULARLY CHECK THAT ANCHOR IS SECURELY MAINTAINED.  
WARNING: DO NOT SIT OR STAND ON THE PRODUCT. DO NOT USE THE PRODUCT AS A STEP  
LADDER. DO NOT USE THE PRODUCT UNLESS ALL BOLTS,  
SCREWS AND KNOBS ARE FIRMLY SECURED.  
FAILURE TO FOLLOW THESE WARNINGS COULD RESULT IN SERIOUS INJURY.

## ⚠ WARNING

CHOKING HAZARD-SMALL PARTS.  
NOT SUITABLE FOR CHILDREN UNDER 3 YEARS.



**! CAUTION:**

ADULT ASSEMBLY IS REQUIRED. HARDWARE CONTAINS SCREWS WITH SHARP POINTS. KEEP UNASSEMBLED PARTS OUT OF THE REACH OF SMALL CHILDREN. ADULT SUPERVISION IS RECOMMENDED. CAUTION: PLEASE CHECK CONDITION OF PRODUCT REGULARLY, AS SCREWS MAY LOOSEN WITH USE OVER TIME. TIGHTEN SCREW FITTINGS IF NECESSARY.

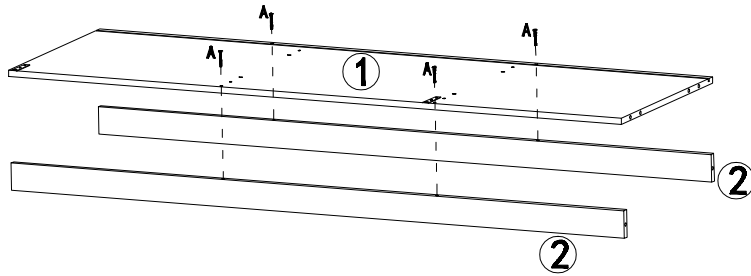
WARNING: PLEASE SECURE THIS PRODUCT WITH THE SUPPLIED WALL FIXING. REGULARLY CHECK THAT ANCHOR IS SECURELY MAINTAINED.

WARNING: DO NOT SIT OR STAND ON THE PRODUCT. DO NOT USE THE PRODUCT AS A STEP LADDER. DO NOT USE THE PRODUCT UNLESS ALL BOLTS, SCREWS AND KNOBS ARE FIRMLY SECURED. FAILURE TO FOLLOW THESE WARNINGS COULD RESULT IN SERIOUS INJURY.

**! WARNING**

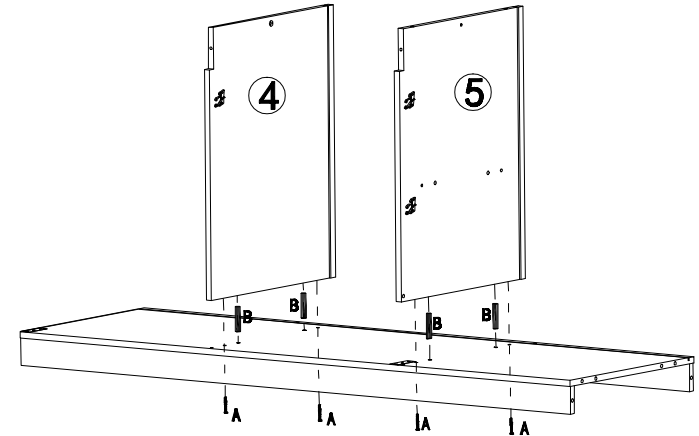
CHOKING HAZARD-SMALL PARTS. NOT SUITABLE FOR CHILDREN UNDER 3 YEARS.

3



AX4PCS

4

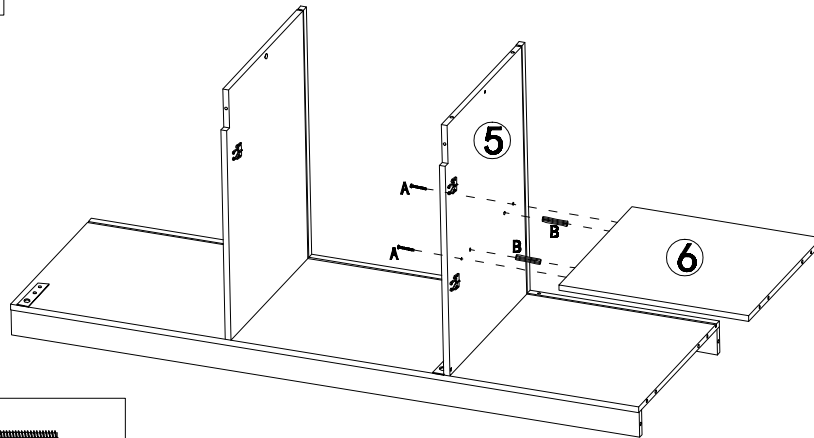


AX4PCS



BX4PCS

5

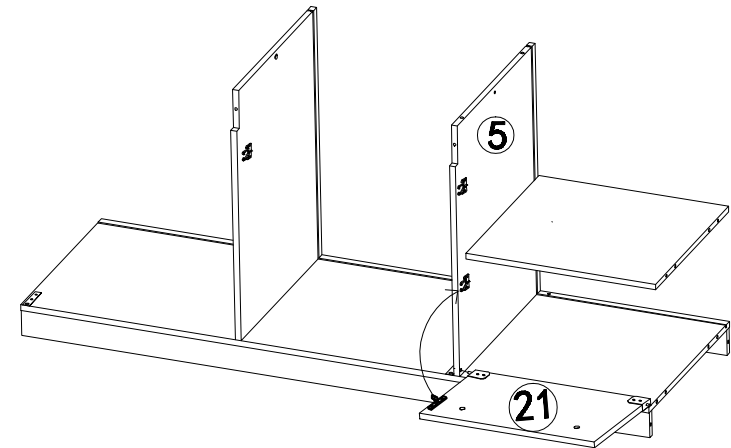


AX2PCS



BX2PCS

6



**CAUTION:**

ADULT ASSEMBLY IS REQUIRED. HARDWARE CONTAINS SCREWS WITH SHARP POINTS.  
 KEEP UNASSEMBLED PARTS OUT OF THE REACH OF SMALL CHILDREN. ADULT SUPERVISION IS RECOMMENDED.  
 CAUTION: PLEASE CHECK CONDITION OF PRODUCT REGULARLY, AS SCREWS MAY LOOSEN WITH USE OVER TIME.  
 TIGHTEN SCREW FITTINGS IF NECESSARY.

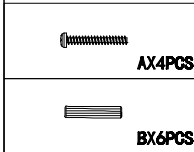
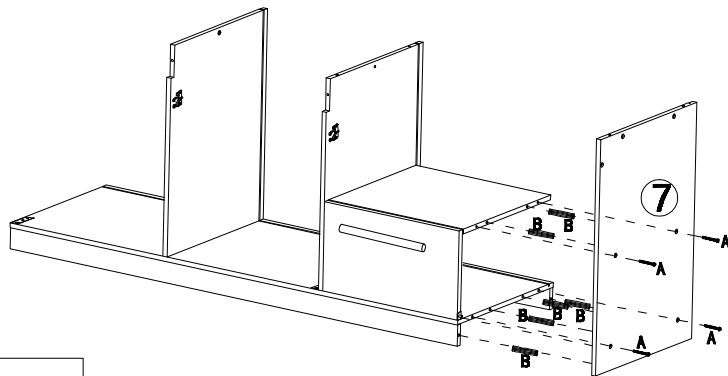
**WARNING:** PLEASE SECURE THIS PRODUCT WITH THE SUPPLIED WALL FIXING.  
 REGULARLY CHECK THAT ANCHOR IS SECURELY MAINTAINED.  
**WARNING:** DO NOT SIT OR STAND ON THE PRODUCT. DO NOT USE THE PRODUCT AS A STEP LADDER. DO NOT USE THE PRODUCT UNLESS ALL BOLTS, SCREWS AND KNOBS ARE FIRMLY SECURED.  
 FAILURE TO FOLLOW THESE WARNINGS COULD RESULT IN SERIOUS INJURY.



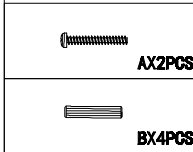
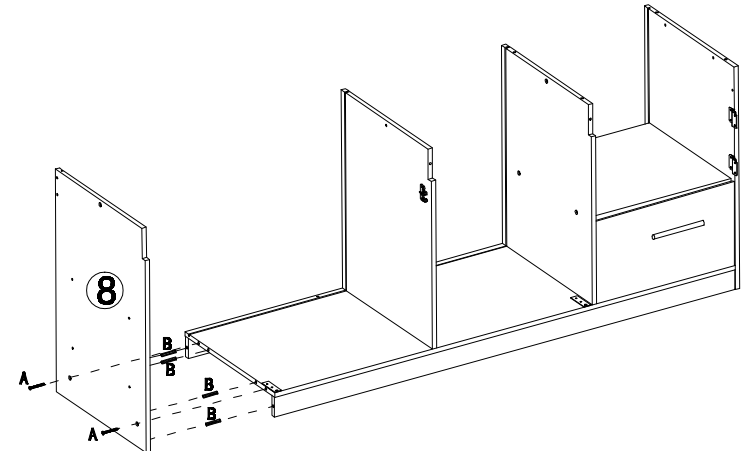
**WARNING**

CHOKING HAZARD-SMALL PARTS.  
 NOT SUITABLE FOR CHILDREN UNDER 3 YEARS.

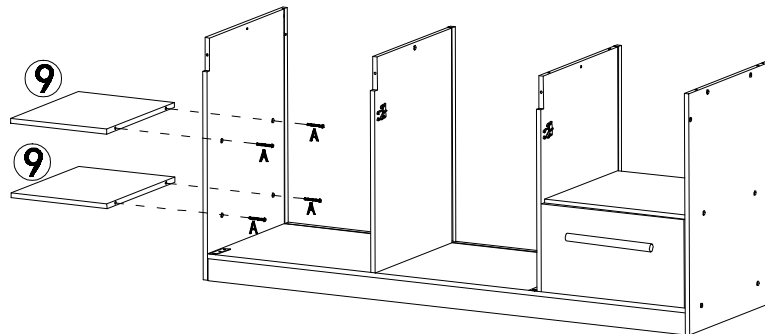
7



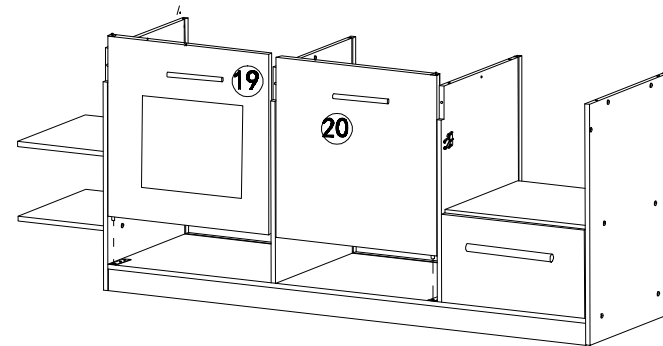
8



9



10



**!** CAUTION:

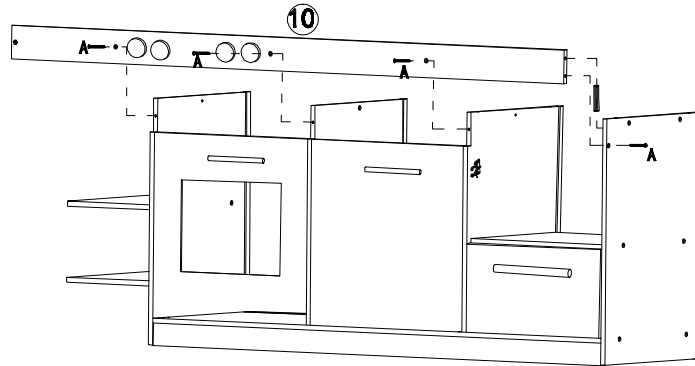
ADULT ASSEMBLY IS REQUIRED. HARDWARE CONTAINS SCREWS WITH SHARP POINTS.  
 KEEP UNASSEMBLED PARTS OUT OF THE REACH OF SMALL CHILDREN. ADULT SUPERVISION IS RECOMMENDED.  
 CAUTION: PLEASE CHECK CONDITION OF PRODUCT REGULARLY, AS SCREWS MAY LOOSEN WITH USE OVER TIME.  
 TIGHTEN SCREW FITTINGS IF NECESSARY.

WARNING: PLEASE SECURE THIS PRODUCT WITH THE SUPPLIED WALL FIXING.  
 REGULARLY CHECK THAT ANCHOR IS SECURELY MAINTAINED.  
 WARNING: DO NOT SIT OR STAND ON THE PRODUCT. DO NOT USE THE PRODUCT AS A STEP  
 LADDER. DO NOT USE THE PRODUCT UNLESS ALL BOLTS,  
 SCREWS AND KNOBS ARE FIRMLY SECURED.  
 FAILURE TO FOLLOW THESE WARNINGS COULD RESULT IN SERIOUS INJURY.

**!** WARNING

CHOKING HAZARD-SMALL PARTS.  
 NOT SUITABLE FOR CHILDREN UNDER 3 YEARS.

11

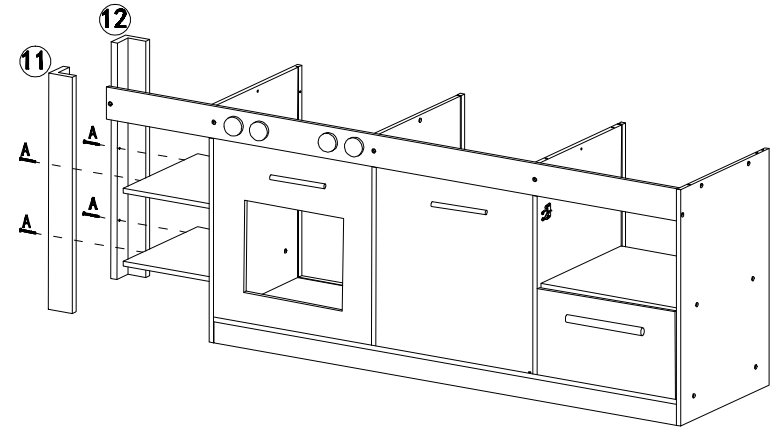


AX4PCS



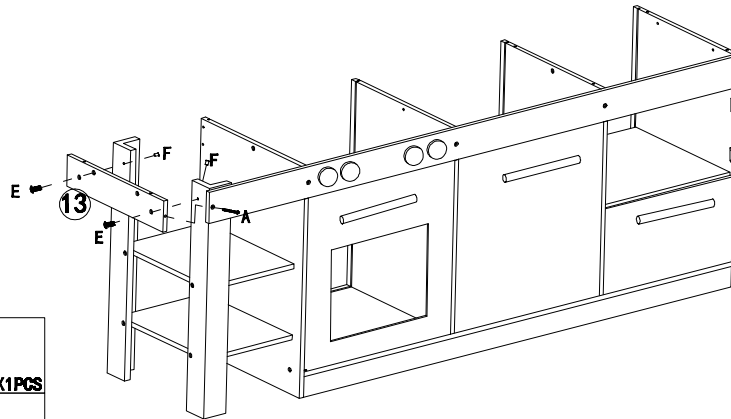
BX1PC

12



AX4PCS

13



AX1PCS

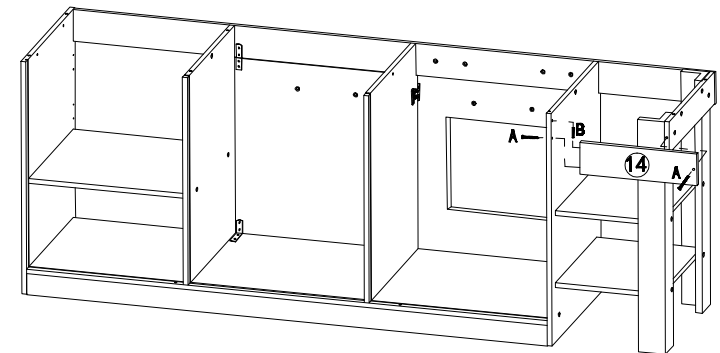


EX2PCS



FX2PCS

14



AX2PCS



BX1PC



**CAUTION:**

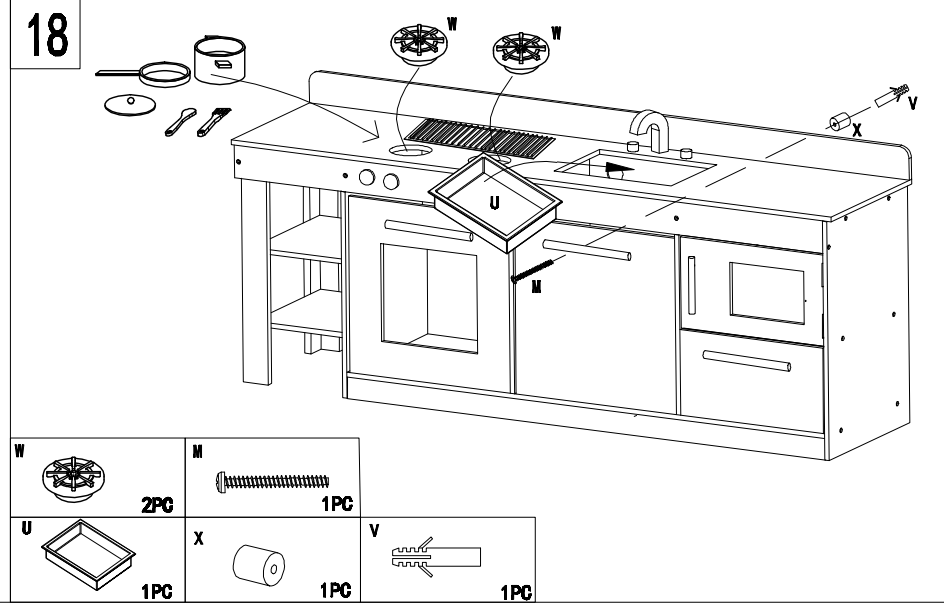
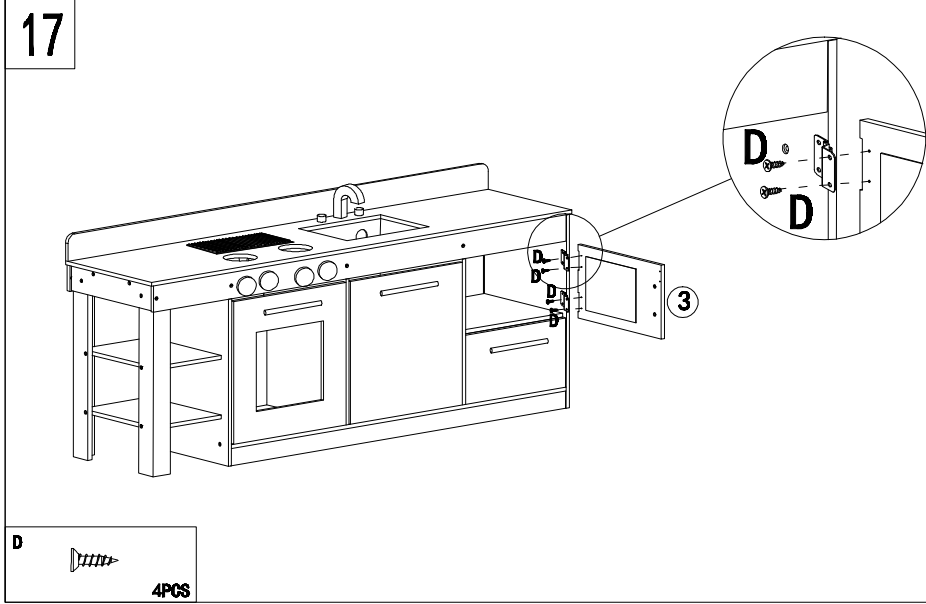
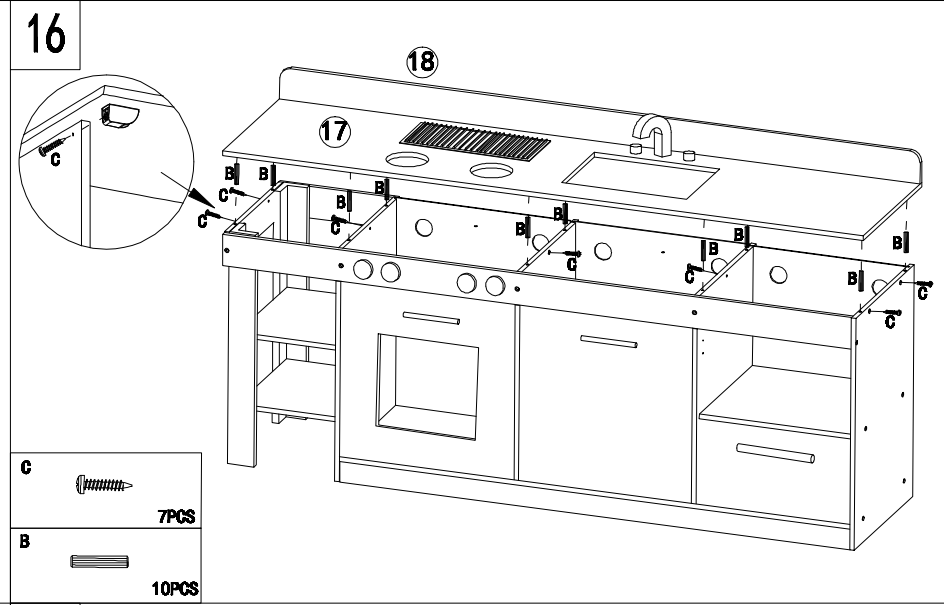
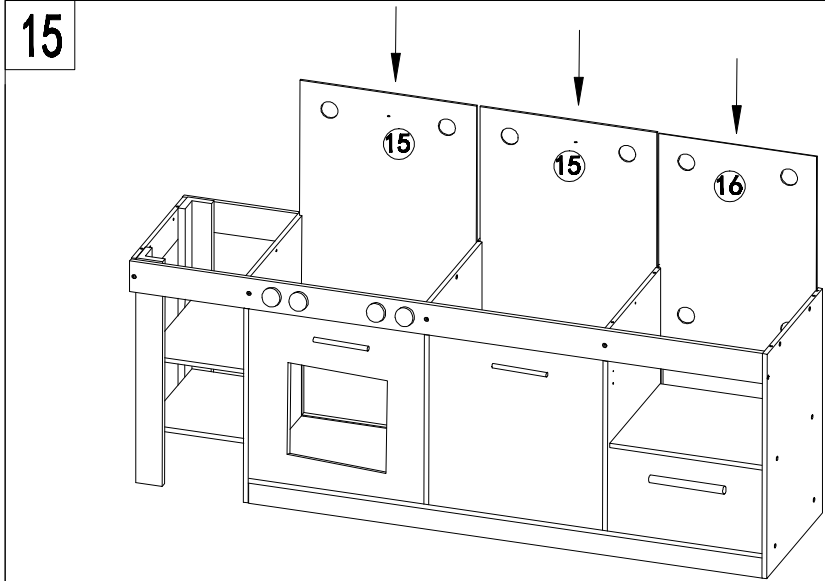
ADULT ASSEMBLY IS REQUIRED. HARDWARE CONTAINS SCREWS WITH SHARP POINTS. KEEP UNASSEMBLED PARTS OUT OF THE REACH OF SMALL CHILDREN. ADULT SUPERVISION IS RECOMMENDED. CAUTION: PLEASE CHECK CONDITION OF PRODUCT REGULARLY, AS SCREWS MAY LOOSEN WITH USE OVER TIME. TIGHTEN SCREW FITTINGS IF NECESSARY.

**WARNING:** PLEASE SECURE THIS PRODUCT WITH THE SUPPLIED WALL FIXING. REGULARLY CHECK THAT ANCHOR IS SECURELY MAINTAINED. **WARNING:** DO NOT SIT OR STAND ON THE PRODUCT. DO NOT USE THE PRODUCT AS A STEP LADDER. DO NOT USE THE PRODUCT UNLESS ALL BOLTS, SCREWS AND KNOBS ARE FIRMLY SECURED. FAILURE TO FOLLOW THESE WARNINGS COULD RESULT IN SERIOUS INJURY.



**WARNING**

CHOKING HAZARD-SMALL PARTS. NOT SUITABLE FOR CHILDREN UNDER 3 YEARS.



**⚠ CAUTION:**  
 ADULT ASSEMBLY IS REQUIRED. HARDWARE CONTAINS SCREWS WITH SHARP POINTS.  
 KEEP UNASSEMBLED PARTS OUT OF THE REACH OF SMALL CHILDREN. ADULT SUPERVISION IS RECOMMENDED.  
**CAUTION:** PLEASE CHECK CONDITION OF PRODUCT REGULARLY, AS SCREWS MAY LOOSEN WITH USE OVER TIME.  
 TIGHTEN SCREW FITTINGS IF NECESSARY.

**WARNING:** PLEASE SECURE THIS PRODUCT WITH THE SUPPLIED WALL FIXING.  
 REGULARLY CHECK THAT ANCHOR IS SECURELY MAINTAINED.  
**WARNING:** DO NOT SIT OR STAND ON THE PRODUCT. DO NOT USE THE PRODUCT AS A STEP  
 LADDER. DO NOT USE THE PRODUCT UNLESS ALL BOLTS,  
 SCREWS AND KNOBS ARE FIRMLY SECURED.  
 FAILURE TO FOLLOW THESE WARNINGS COULD RESULT IN SERIOUS INJURY.

**⚠ WARNING**  
 CHOKING HAZARD-SMALL PARTS.  
 NOT SUITABLE FOR CHILDREN UNDER 3 YEARS.