

anko

**WARNING!**

- Adult assembly required.
- Read all the instructions before assembly and use of the product.
- Phillips screwdriver (not included) is required for assembly.
- Take care when unpacking and during assembly.
- Dispose of all packing materials carefully after assembly.
- Regularly check that all fittings remain tight. Tighten if required.
- Inspect the product before assembly and periodically during use. Never use this product if there are any loose or missing fasteners, joins or broken parts.
- Be aware of risk of open fires and other sources of strong heat, such as electric bar fires, gas fires etc.
- Any additional or replacement parts should only be obtained from the manufacturer or distributor.
- Never substitute parts.
- This stand up stool is intended to be used by children over 18 months of age. Maximum weight of child is 20kg.
- This stand up stool is for the use of 1 child at a time. Adult supervision is required at all times. Never leave children unattended.
- Do not use near stairs, steps and uneven surfaces.
- Keep instructions for future reference.

**Care and Maintenance:**

- All assembly fittings are to be properly tightened. Inspect regularly and re-tighten as necessary.
- To clean the stand up stool, wipe with a damp cloth and dry immediately with a soft clean cloth.
- Do not use abrasive pads, bleach or strong household cleaners. Damage may result.

KEYCODE: 43-095-902

MADE IN CHINA

FOR AU / NZ: IMPORTED FOR KMART STORES IN AUSTRALIA AND NEW ZEALAND.

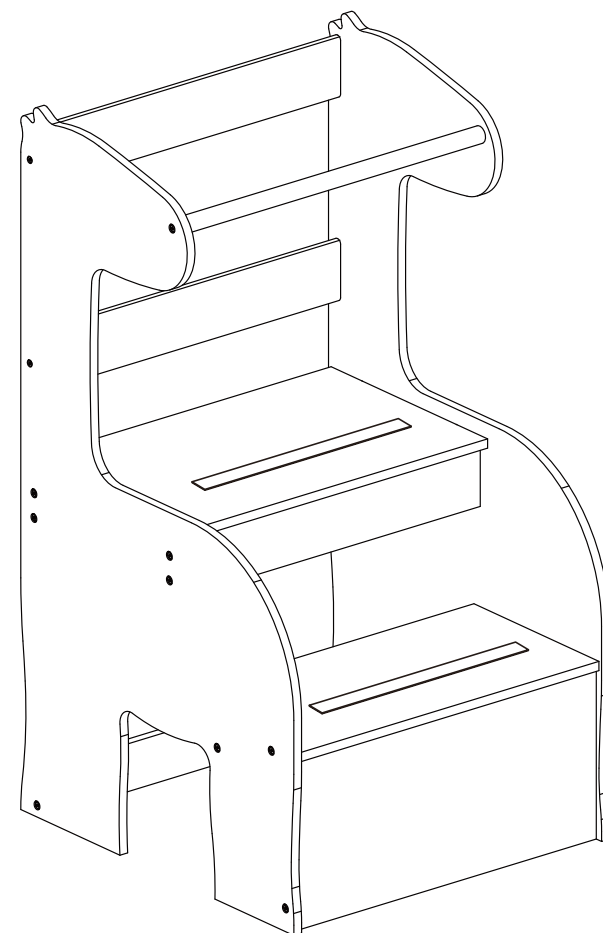
KMART CUSTOMER SERVICE  
AU: 1800 124 125 NZ: 0800 945 995

**Novelty Stand Up Stool  
Instruction Manual**

18+  
months

20  
kg

MAXIMUM  
WEIGHT OF  
CHILD



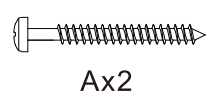
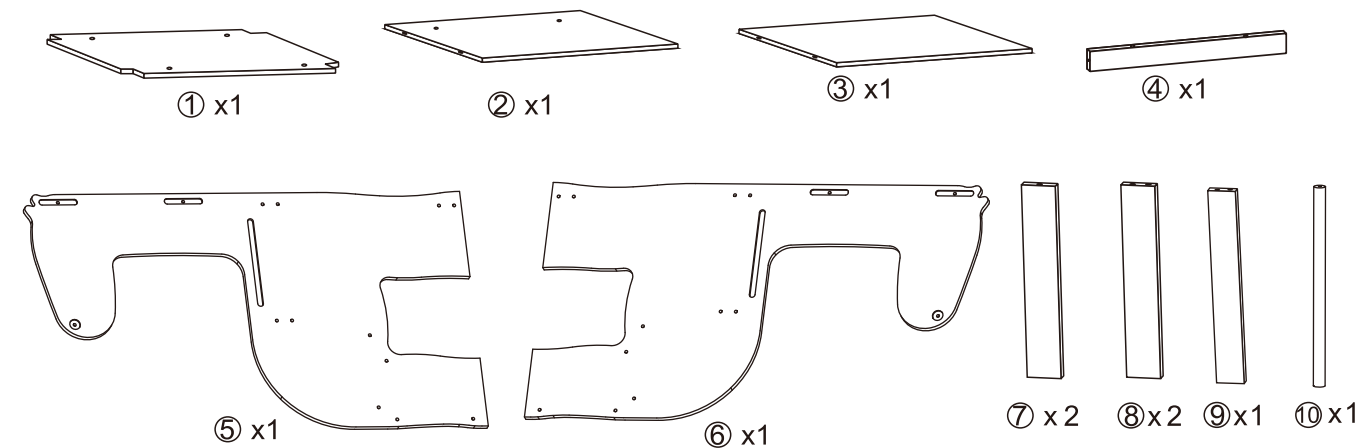
Drawings in the manual are for visual purposes only. Actual product may vary slightly. The manufacturer reserves the right to change any specification or feature without prior notice.

**IMPORTANT! PLEASE READ CAREFULLY BEFORE USE  
AND KEEP FOR FUTURE REFERENCE.**

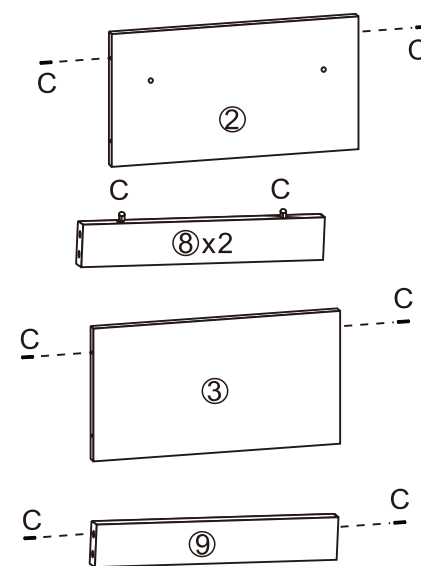
14.85cm

14.85cm

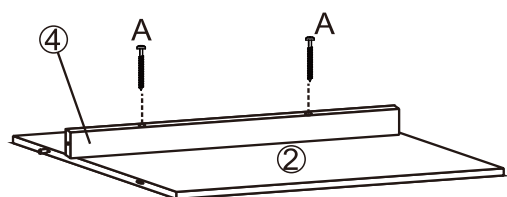
**PARTS LIST & ASSEMBLY STEPS**



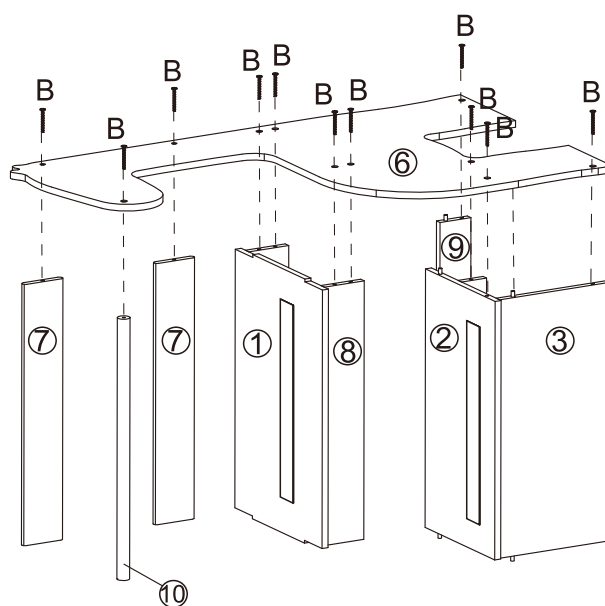
1



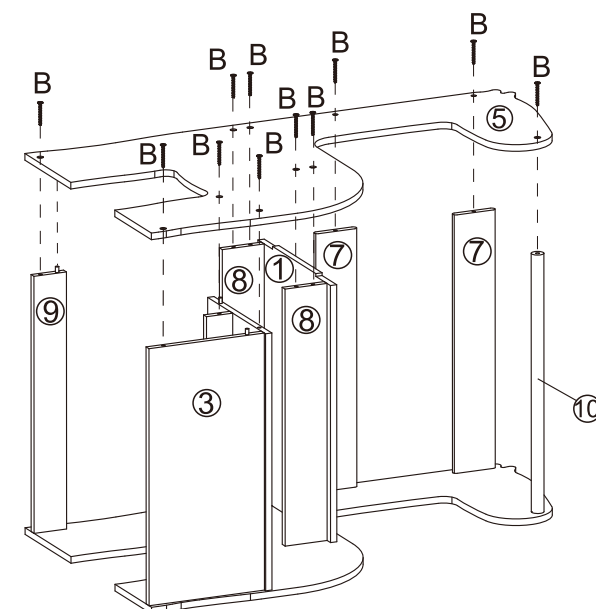
2



3



4



21cm

21cm