

Assembly Instructions






43109814-STORAGE UNIT WITH 6 TUBS WHITE

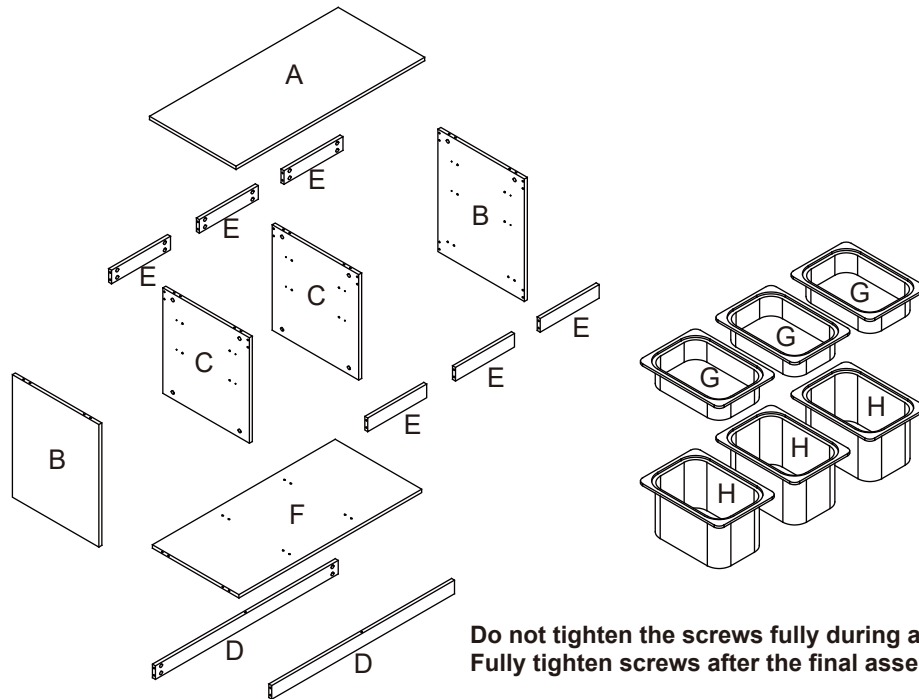
WARNING: DO NOT STAND, SIT OR LEAN ON THE UNIT. DO NOT USE THIS UNIT AS A STEP LADDER. ENSURE THIS UNIT IS USED ONLY ON A FLAT SURFACE. DO NOT USE THIS UNIT UNLESS ALL BOLTS AND SCREWS ARE FIRMLY SECURED. DO NOT PLACE HOT OBJECTS SUCH AS COFFEE CUPS DIRECTLY ON THE SURFACE OF THIS FURNITURE ITEM. THIS ITEM IS FOR STORAGE PURPOSE ONLY. FAILURE TO FOLLOW THESE WARNINGS COULD RESULT IN SERIOUS INJURY. CONTAINS SMALL PARTS. IT IS TO BE ASSEMBLED BY AN ADULT.

CARE INSTRUCTIONS: WIPE CLEAN WITH A SOFT DAMP CLOTH. NEVER USE SCOURERS, ABRASIVES OR CHEMICAL SOLVENTS. KEEP AWAY FROM MOISTURE AND DIRECT SUNLIGHT. STORE IN A DRY PLACE FOR INDOOR USE ONLY.

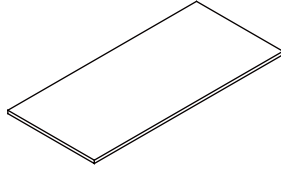
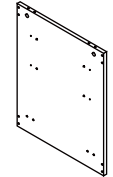
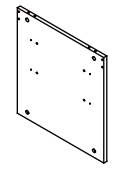
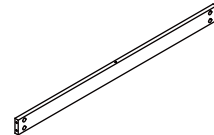
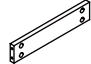
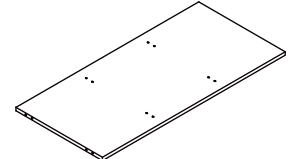
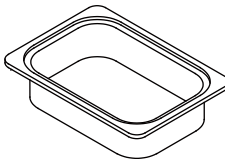
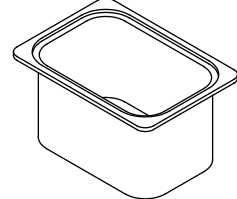
MAXIMUM SAFE LOAD: 10KGS FOR TOP PANEL, 5KGS FOR BIG AND SMALL TUBS, MAXIMUM LOADING 40KGS.

Hardware list

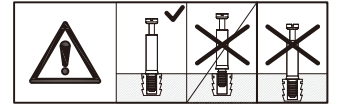
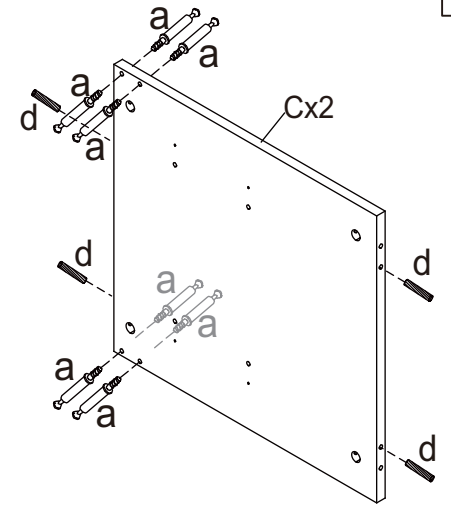
	a	6X35mm	48PCS
	b	15X10mm	48PCS
	c	3X12mm	24PCS
	d	8X30mm	18PCS
	e		12PCS



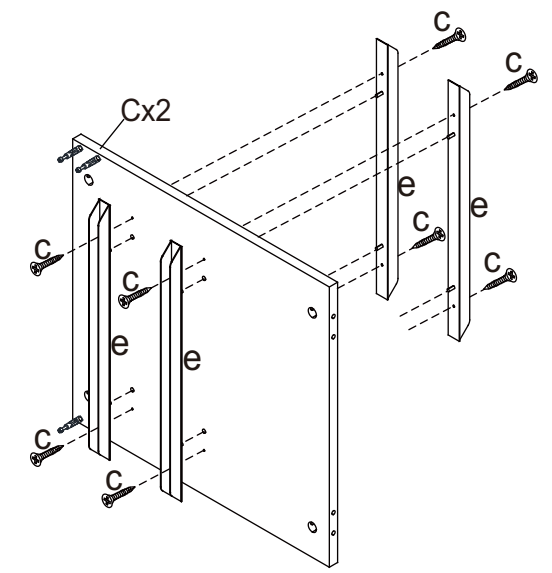
Do not tighten the screws fully during assembly.
Fully tighten screws after the final assembly steps

		
A 1 PC	B 2 PCS	C 2 PCS
		
D 2 PCS	E 6 PCS	F 1 PC
		
G 3 PCS	H 3 PCS	

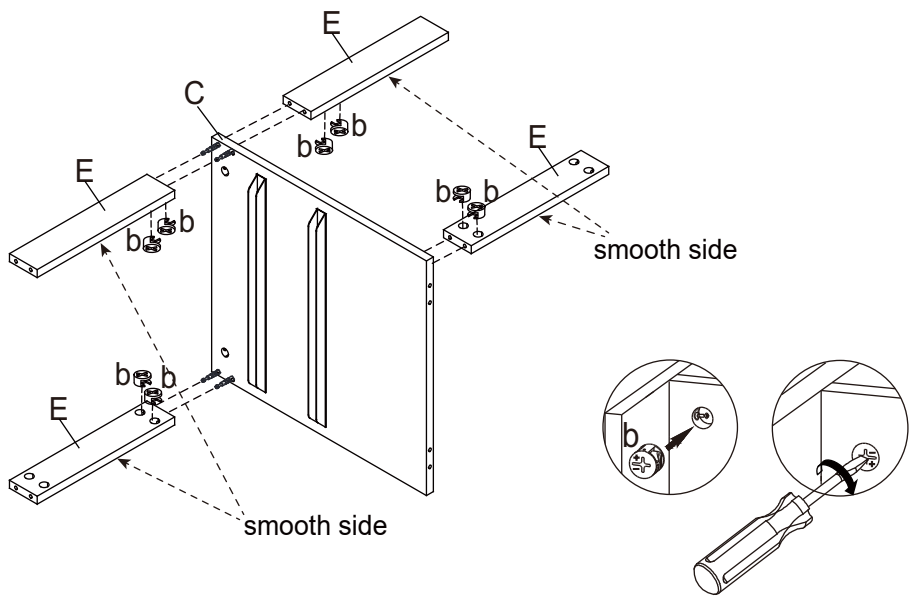
STEP 1



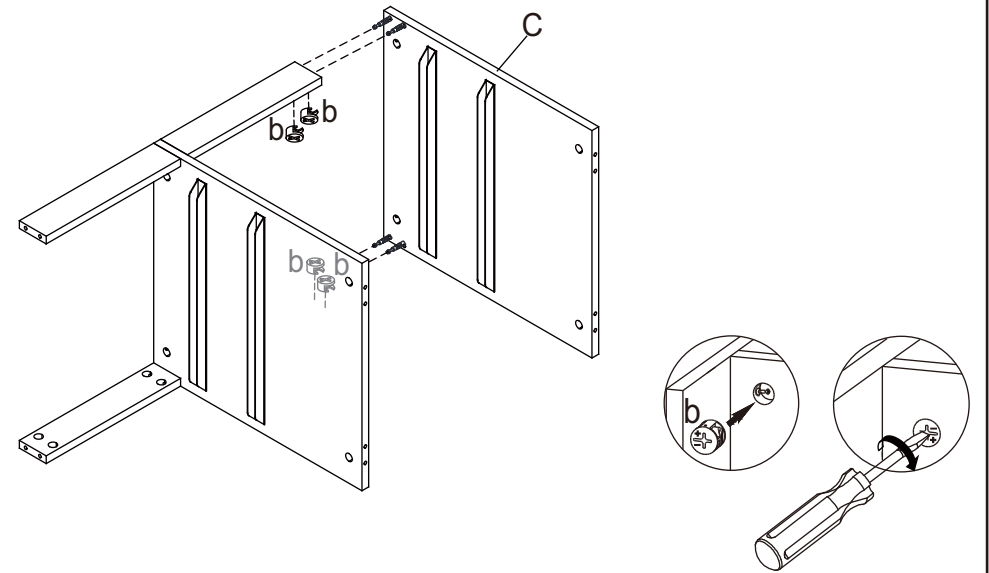
STEP 2



STEP 3

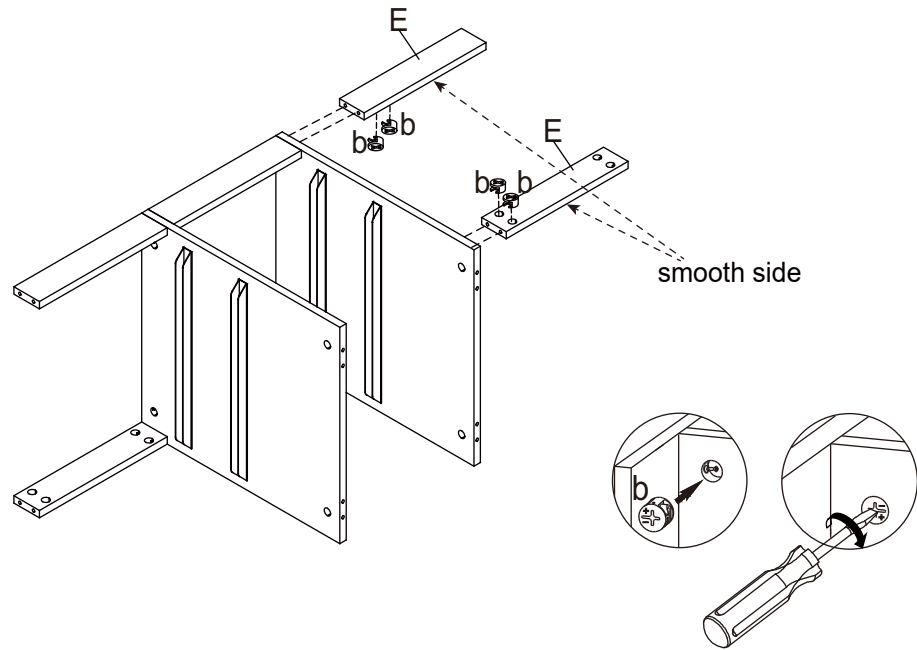


STEP 4



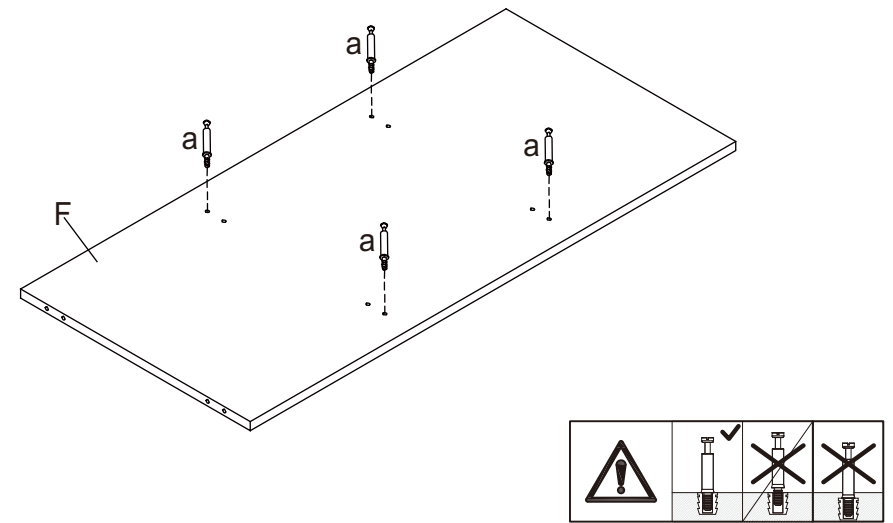
STEP 5

 X8



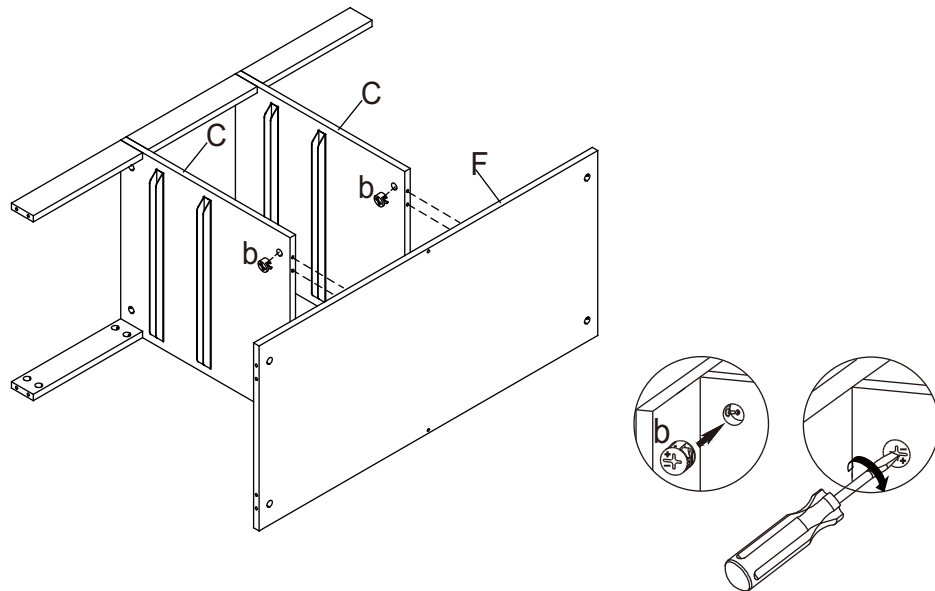
STEP 6

 X4





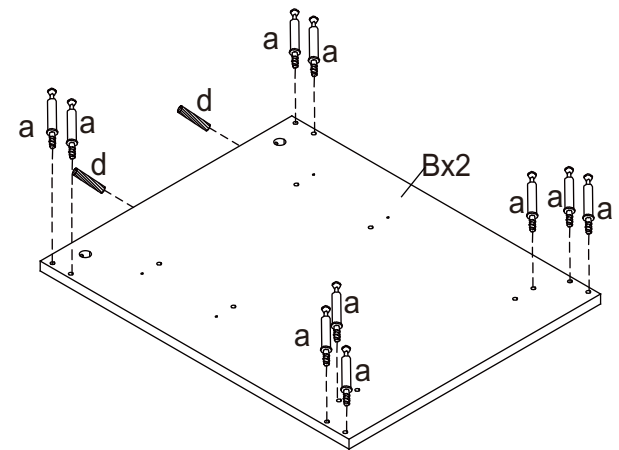
STEP 7

 X4



STEP 8

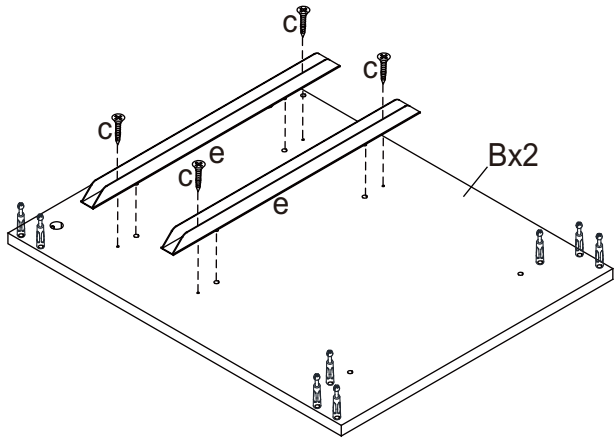
 X4  X20



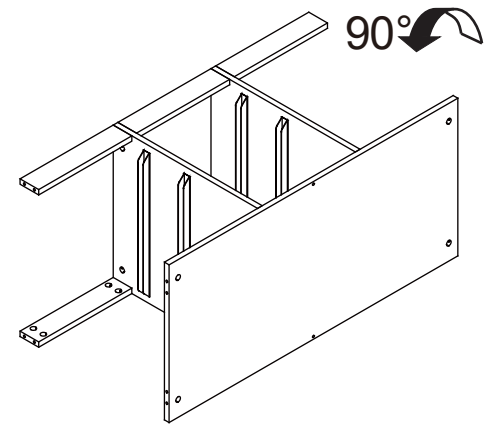
STEP 9

 X8

 X4

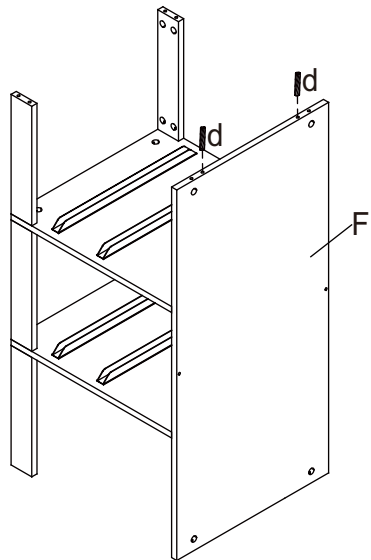


STEP 10



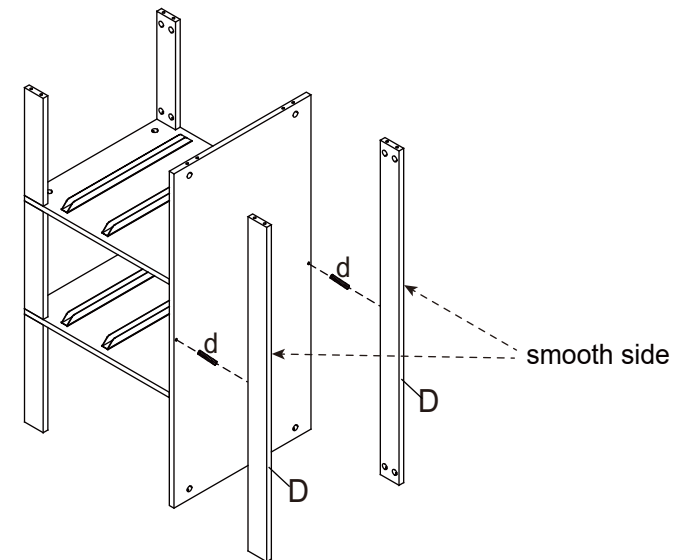
STEP 11

 X2



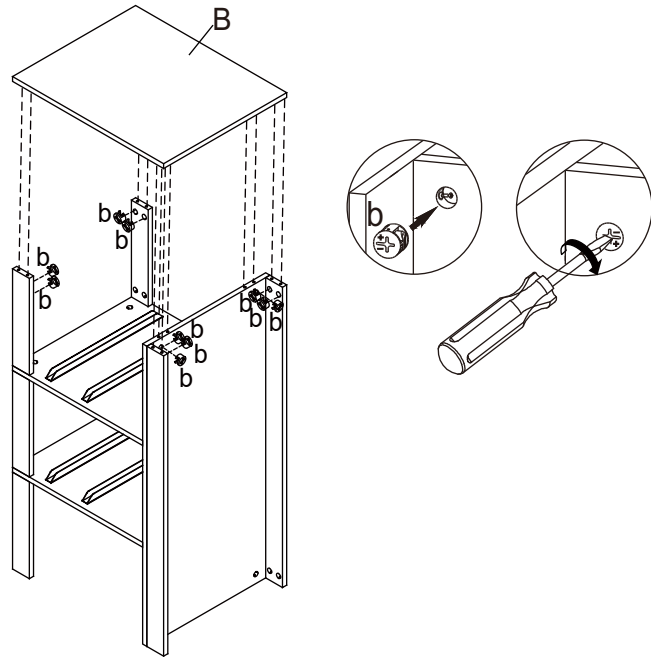
STEP 12

 X2

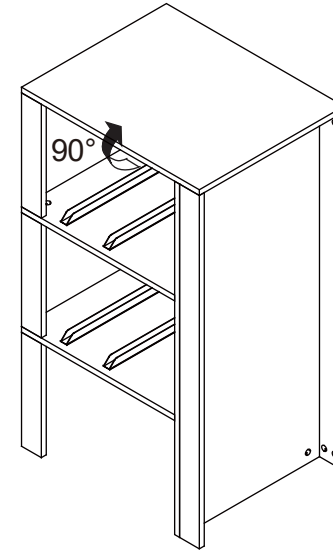


STEP 13

 X10

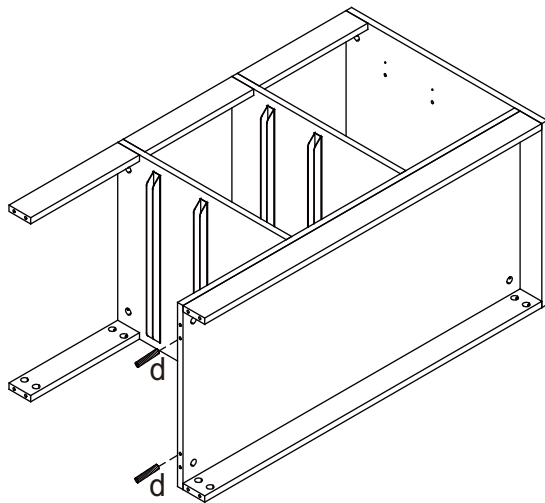


STEP 14



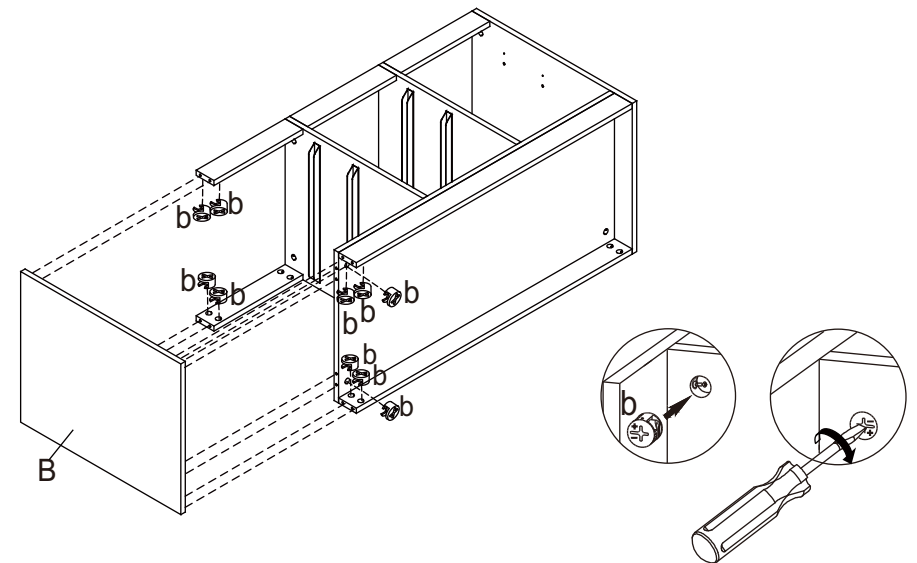
STEP 15

 X2



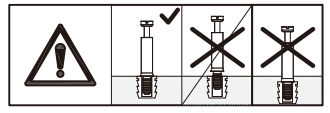
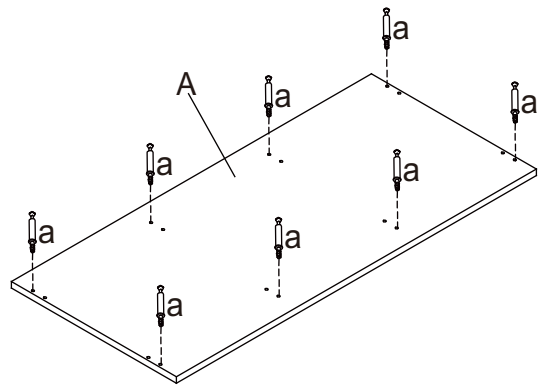
STEP 16

 X10



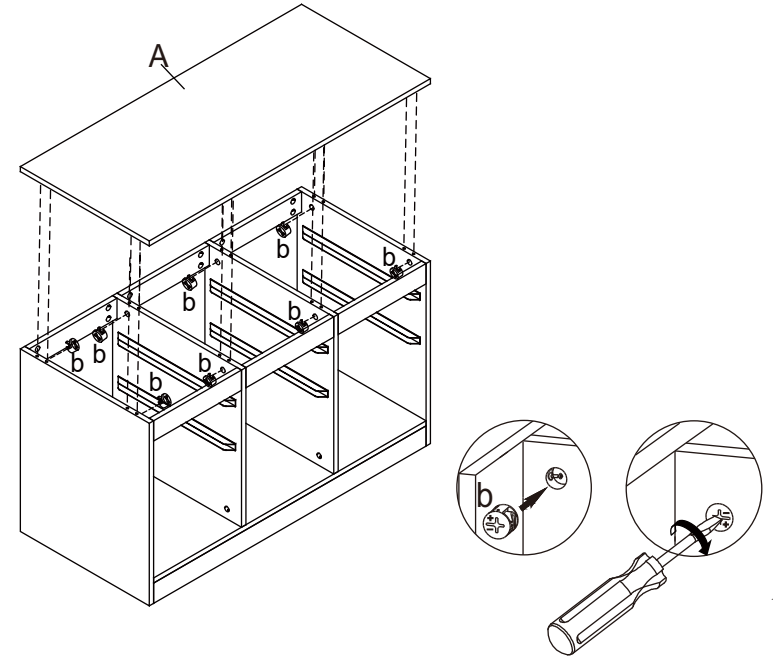
STEP 17

 X10

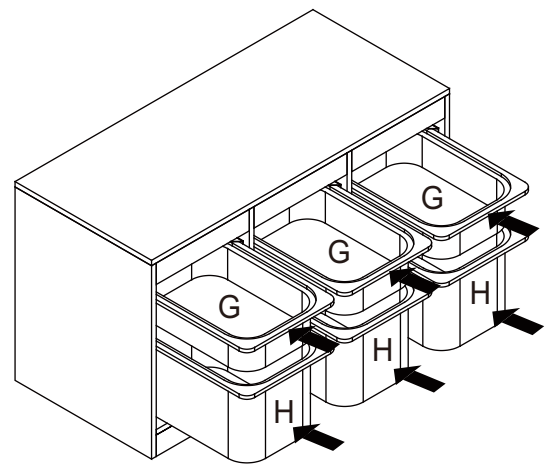


STEP 18

 X8



STEP 19



STEP 20

