

Assembly Instructions

43138357 WHITE KITCHEN ISLAND

CARE INSTRUCTION:





CHECK AND TIGHTEN ALL PARTS REGULARLY. WIPE CLEAN WITH A SOFT DRY OR DAMP CLOTH. FOR INDOOR AND DOMESTIC USE.




WARNINGS:

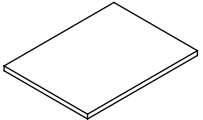
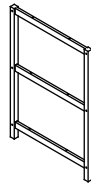
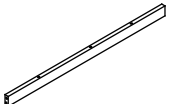
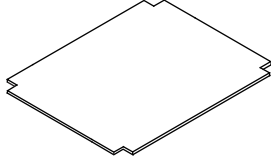
DO NOT STAND OR SIT ON THE UNIT. DO NOT LEAN ON THE PRODUCT. DO NOT DRAG THE PRODUCT. USE ONLY ON A FLAT SURFACE. DO NOT USE UNTIL ALL SCREWS, BOLTS AND KNOBS ARE FIRMLY SECURED. THIS PRODUCT CONTAINS SMALL PARTS AND SHARP POINTS, KEEP AWAY FROM CHILDREN AND BABIES. ADULT ASSEMBLY REQUIRED. FAILURE TO FOLLOW THESE WARNINGS COULD RESULT IN SERIOUS INJURY.

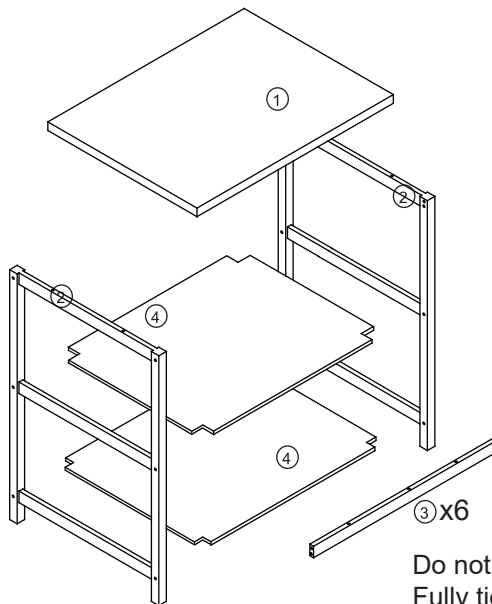
MAXIMUM SAFE LOAD: 25KG FOR TOP PANEL, 12KG FOR MIDDLE SHELF, 12KG FOR BOTTOM SHELF.

Hardware list

	A	6X70mm	12PCS
	B	6x30mm	16PCS
	C	4x45mm	10PCS
	D	4x30mm	20PCS

	E	∅ 30mm	4PCS
	F		1PC
	G	∅ 15mm	12PCS

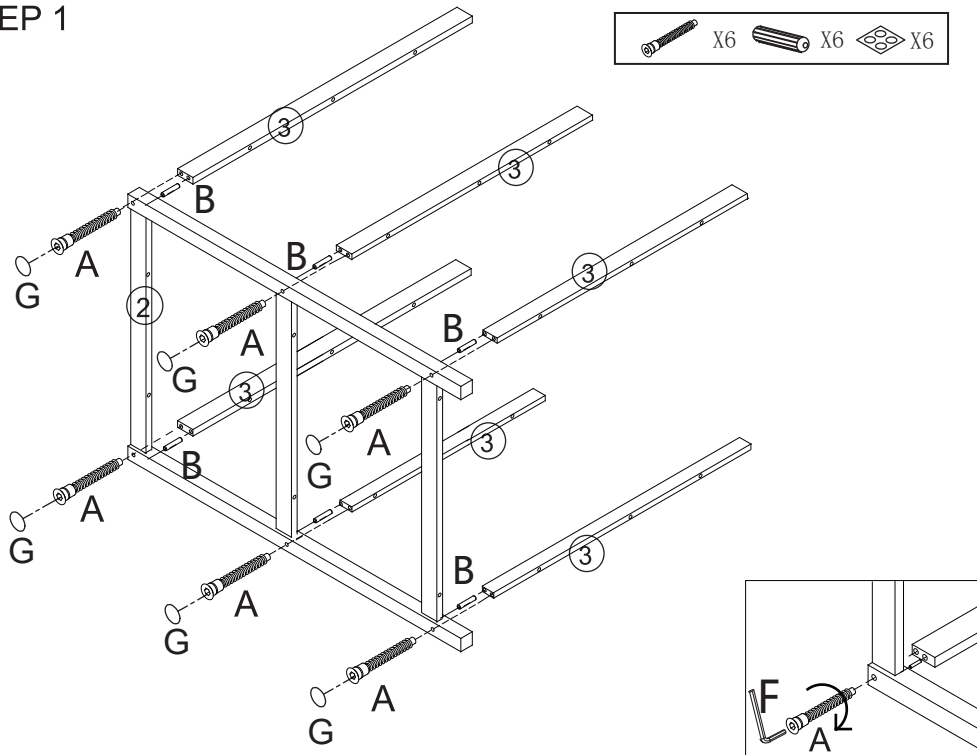
					
①	1PC	②	2 PCS	③	6 PCS
					
④	2 PCS				



Do not tighten the screws fully during assembly.
Fully tighten screws after the final assembly steps.

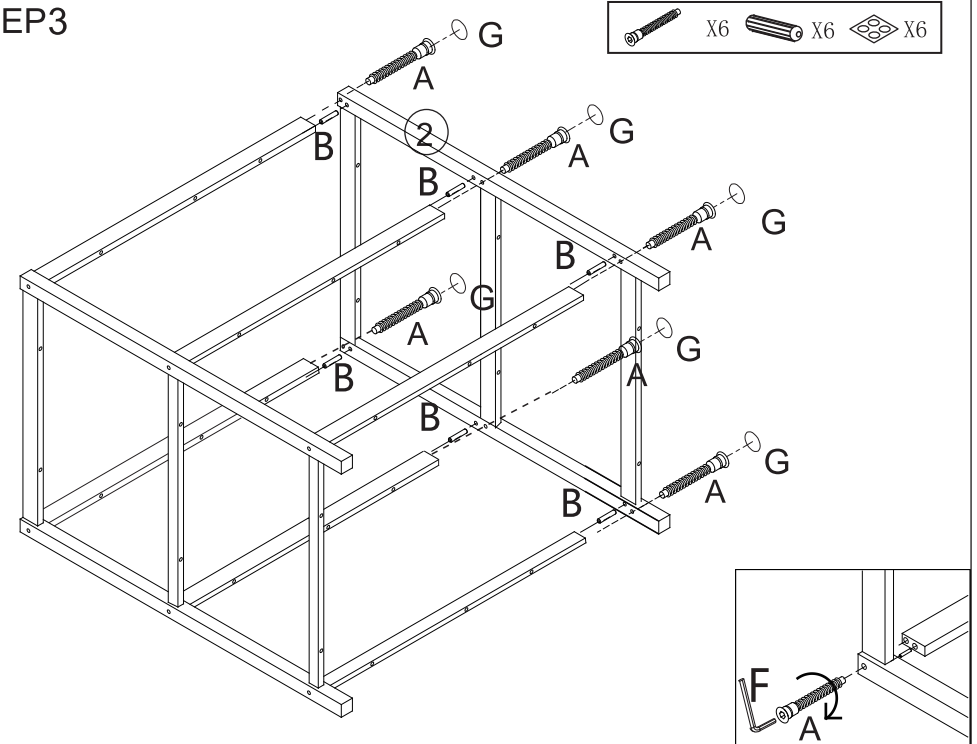
STEP 1

X6 X6 X6



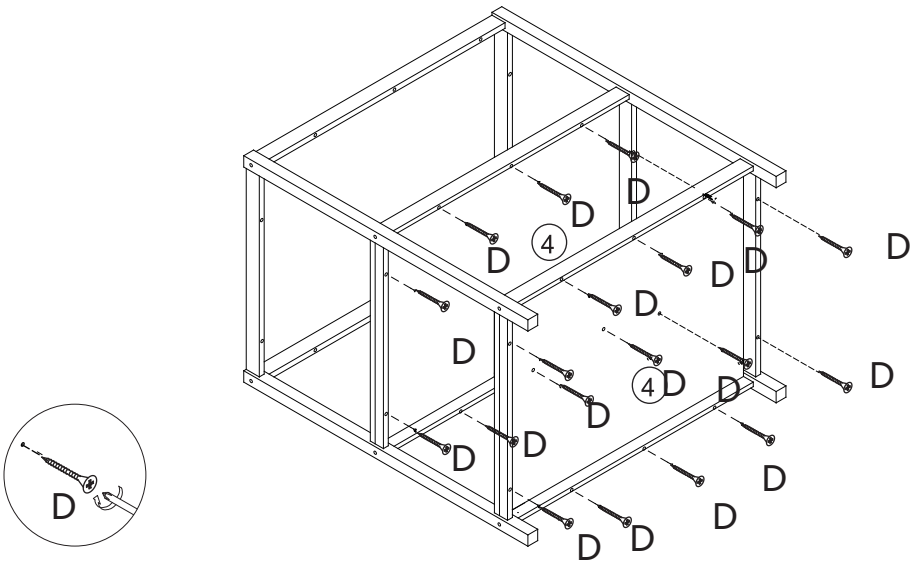
STEP 3

X6 X6 X6



STEP 2

X20



STEP 4

X10 X4

