

3+ Years



# DELUXE DOUBLE PRAM

### Safety Notes

WARNING: CHOKING HAZARD - Small parts, not suitable for children under 3 years.  
CAUTION: This item is a toy and should only be used with dolls. Not suitable for babies, children or pets. Assembly must be carried out by adults only. Please check condition of item regularly, discontinue use of the item if excessive wear and tear is found. Keep these details for further reference. For safety reasons, remove all tags, labels and plastic fasteners before giving this toy to your child. Product may vary slightly from image shown.

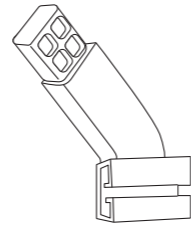
### Care Notes

This fabric should not be machine-washed. Please wipe clean using a damp cloth with mild detergent if necessary.

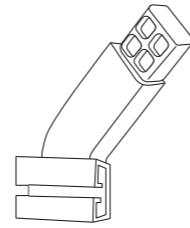
MADE IN CHINA



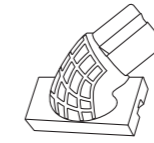
## Part List



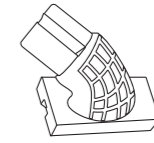
x1



x1



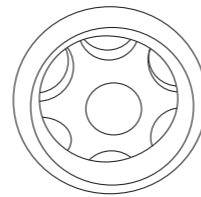
x1



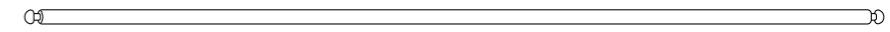
x1



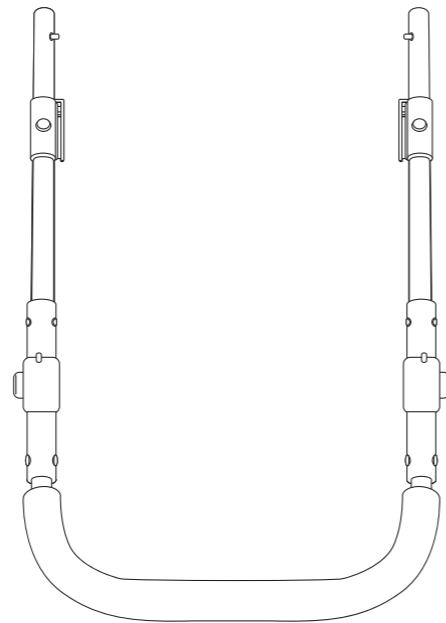
x2



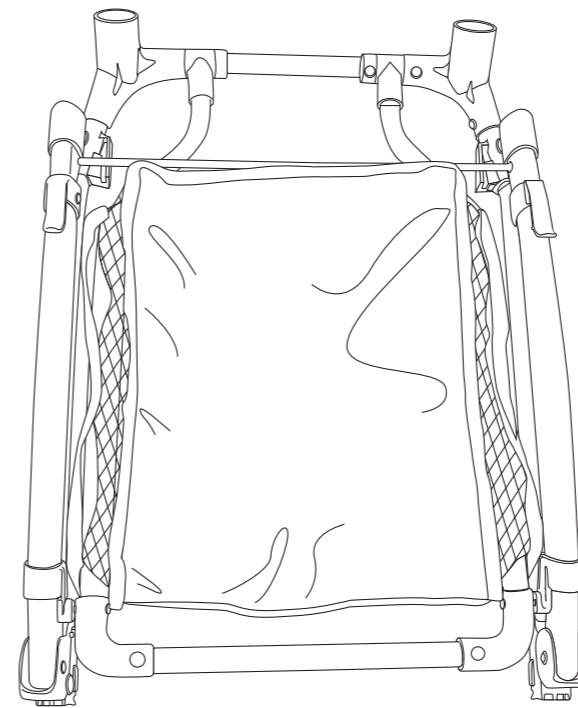
x2



x1



x1



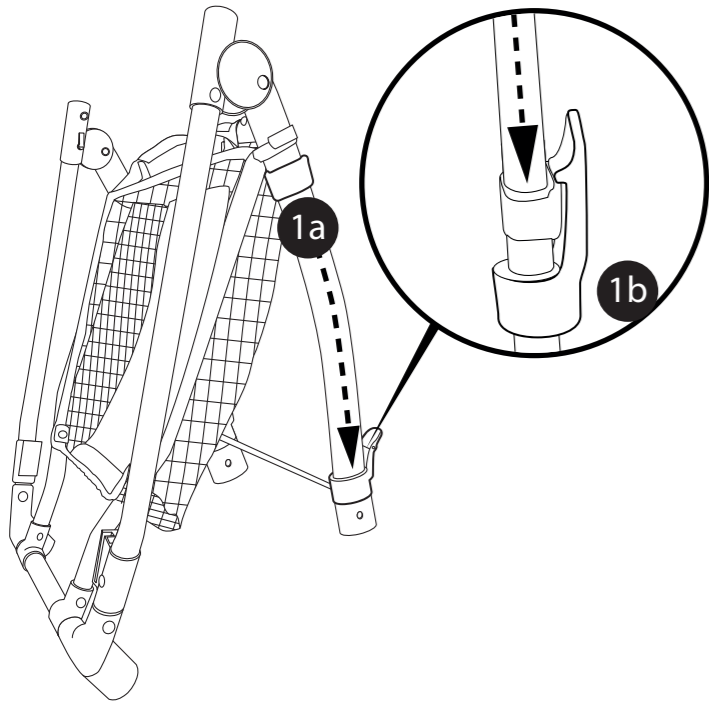
x1



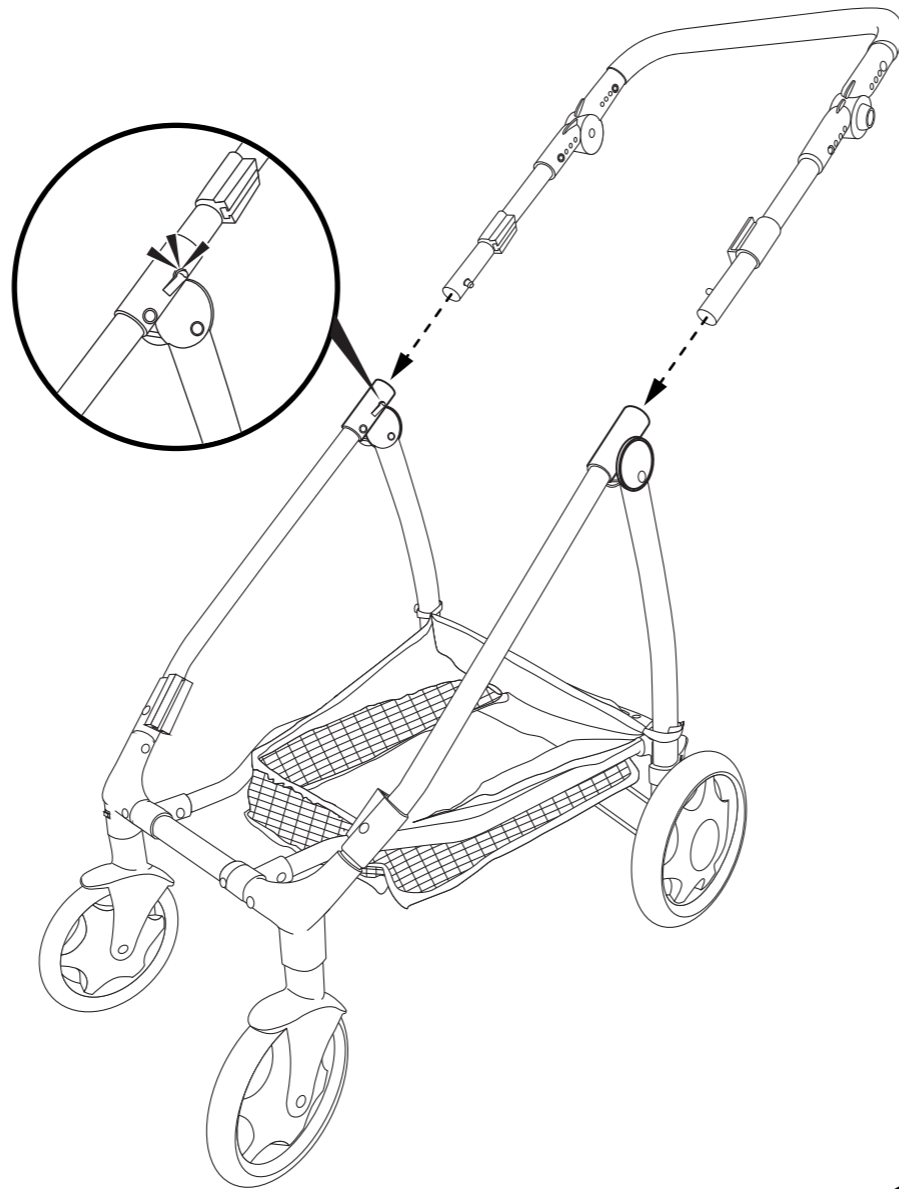
x2

To open

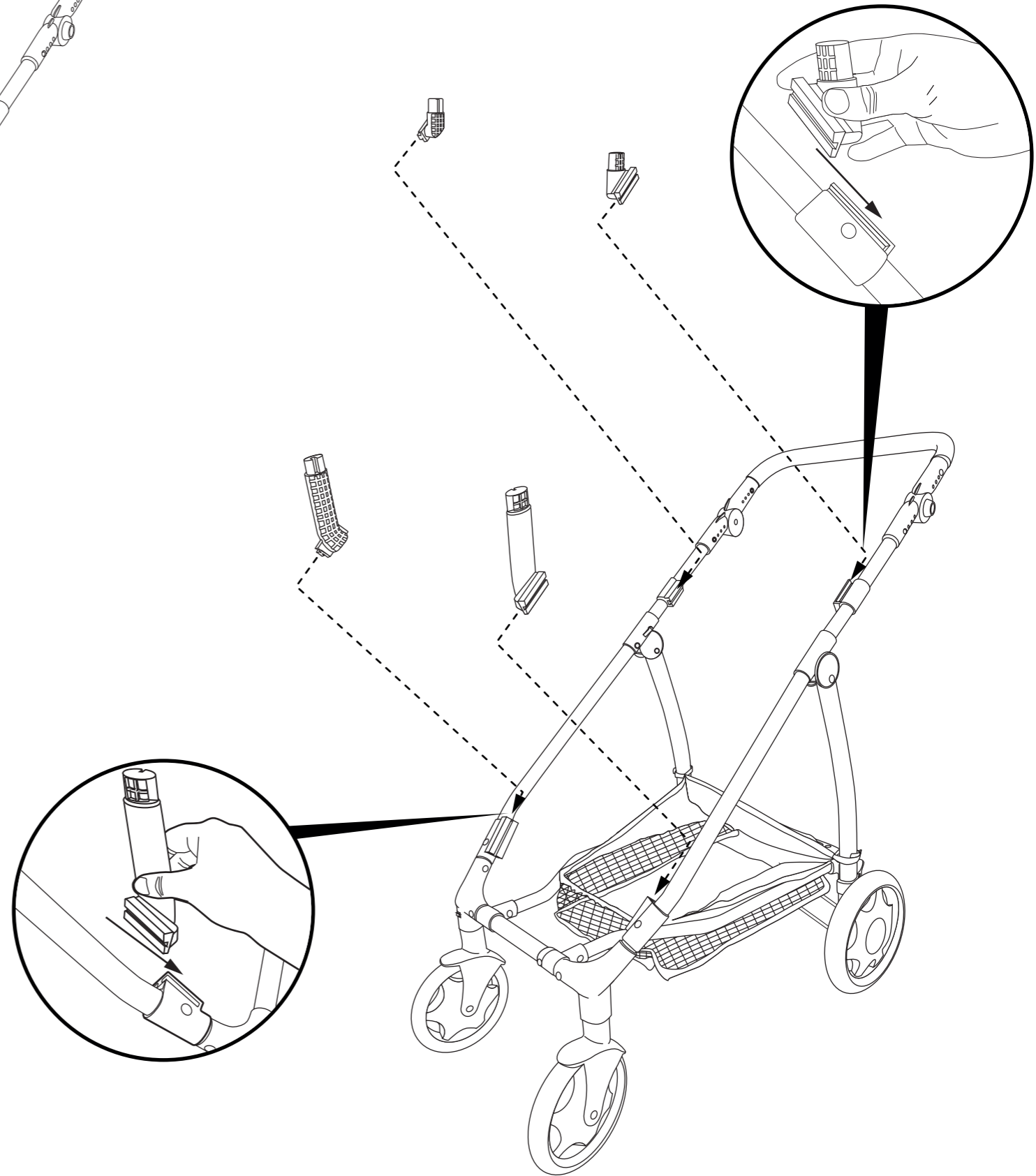
1.



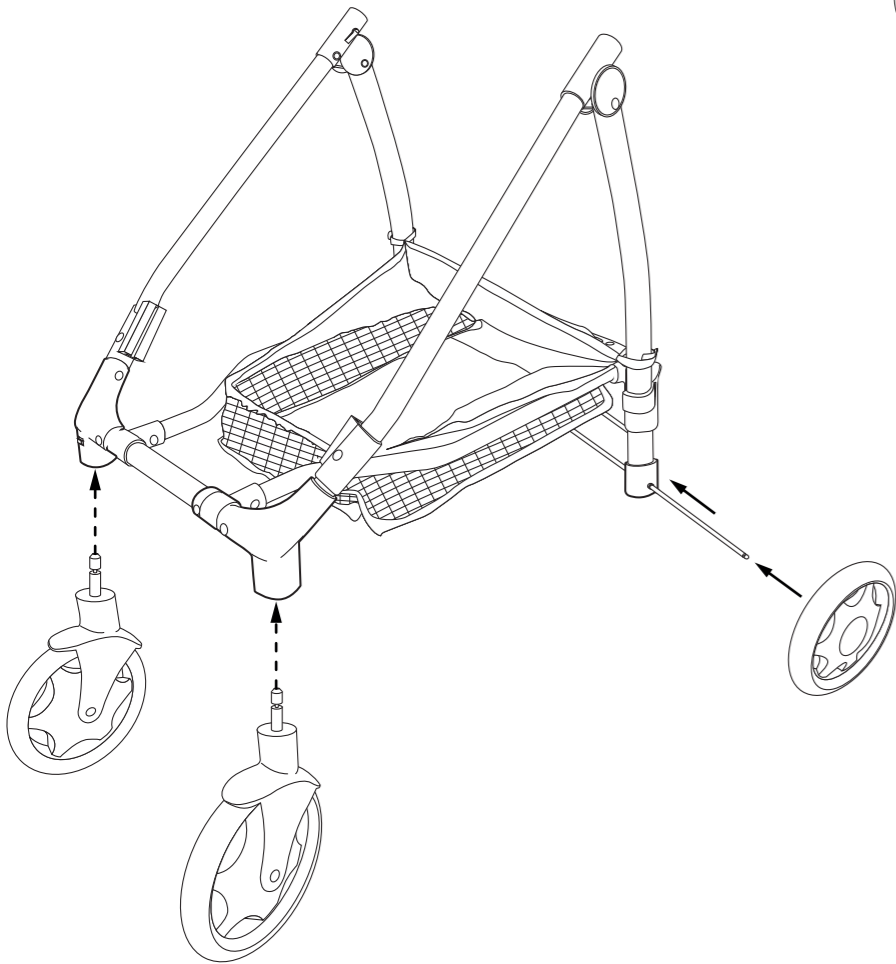
3.



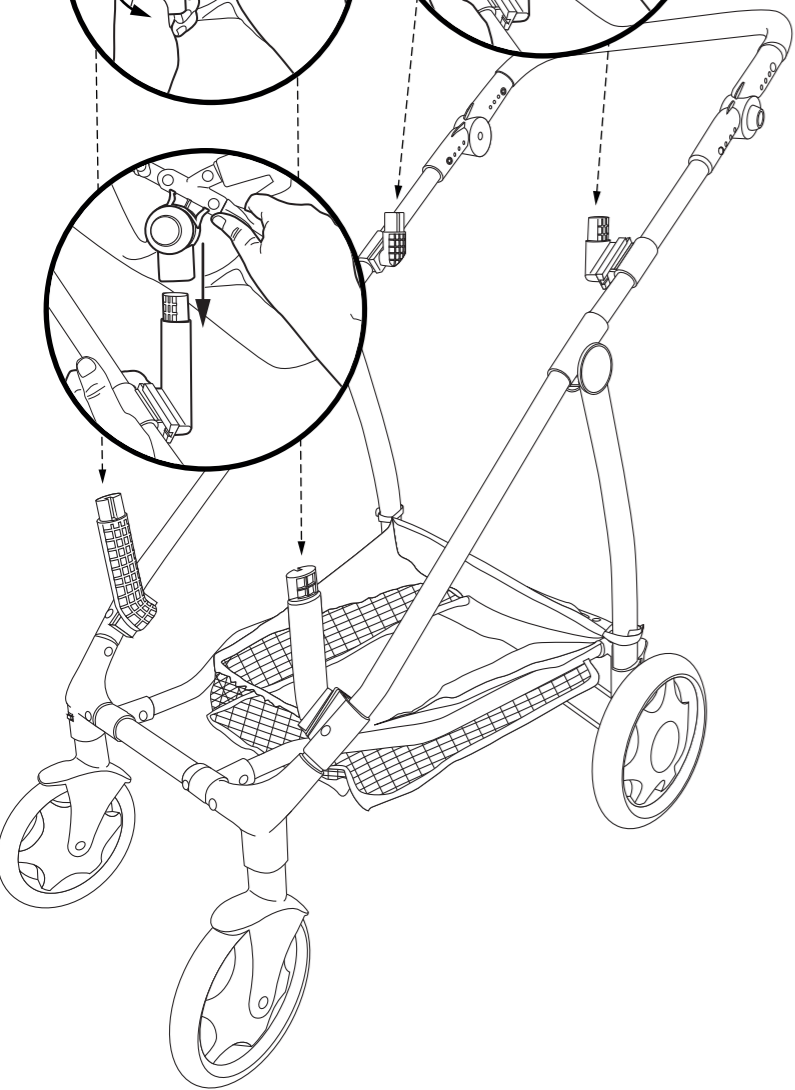
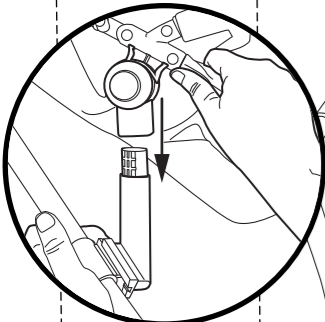
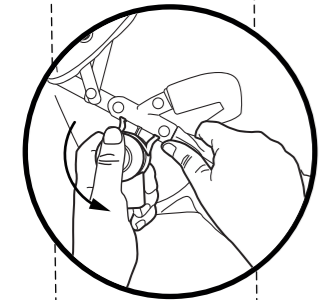
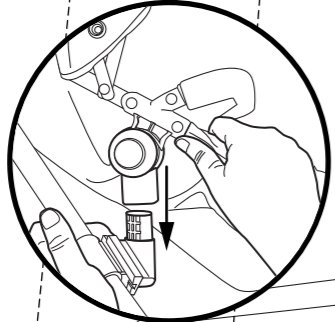
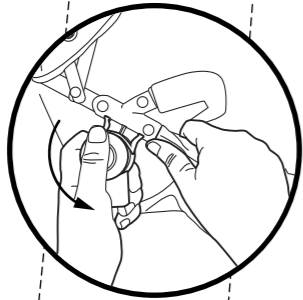
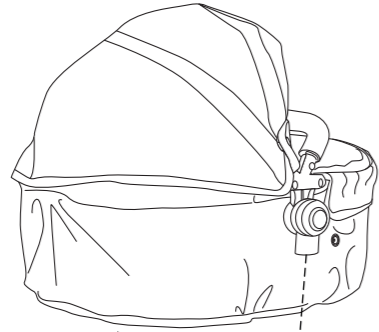
4.



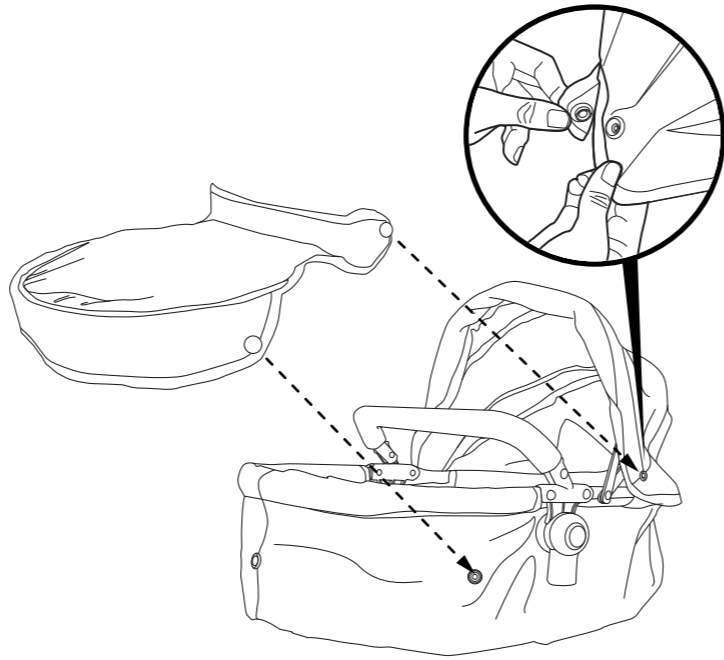
2.



5.



6.



7.

