

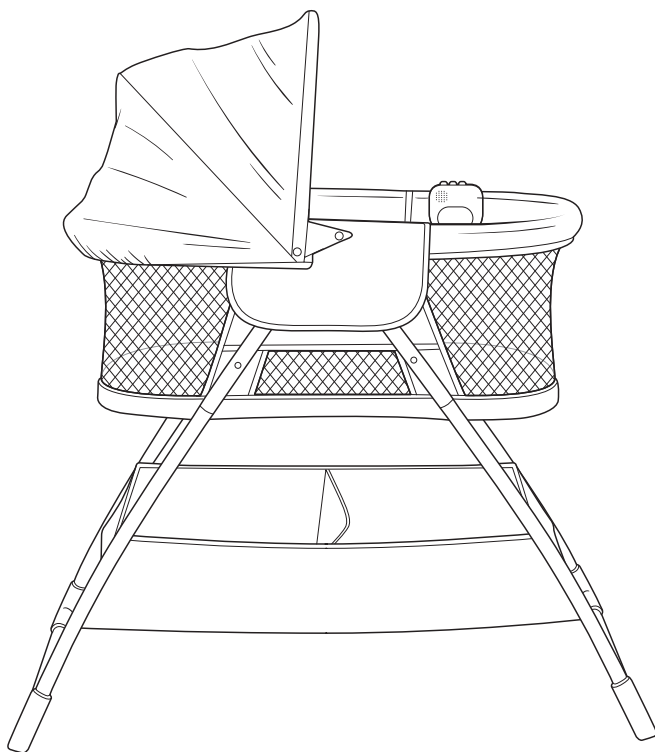
Bassinet with Canopy

Instruction Manual

0-6
months

9
kg

MAXIMUM
WEIGHT OF CHILD



THE ILLUSTRATIONS SHOWN IN THIS MANUAL ARE FOR REFERENCE ONLY. THE MANUFACTURER RESERVES THE RIGHT TO CHANGE ANY SPECIFICATION OR FEATURE WITHOUT FURTHER NOTICE. IMPORTANT! PLEASE READ CAREFULLY BEFORE USE AND KEEP FOR FUTURE REFERENCE.

1 Safety Notes

CAUTION:

Read these instructions carefully before assembly and use and keep for future reference.

The child may be hurt if you do not follow these instructions.

WARNING! This product is intended for use for babies aged between 0 and 6 months, weighing up to a maximum of 9kg.

WARNING! Stop using this product as soon as the child can sit or kneel or pull itself up.

WARNING!

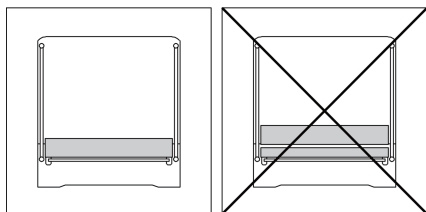
FAILURE TO FOLLOW THESE WARNINGS AND INSTRUCTIONS COULD RESULT IN SERIOUS INJURY OR DEATH.

FALL HAZARD – To help prevent falls, do not use this product when the infant begins to push up on hands and knees or has reached 9kg, whichever comes first.

SUFFOCATION HAZARD

- In gaps between extra padding and side of the bassinet/cribble, and
- On soft bedding

Use only the pad provided by manufacturer. **NEVER** add a pillow, comforter, or another mattress for padding.



1 Safety Notes (continued)

WARNING!

WARNING! Placing additional items in the product may cause suffocation.

WARNING! Do not place the product close to another product, which could present a danger of suffocation or strangulation, e.g. strings, blind/curtain cords etc.

WARNING! Do not use more than one mattress in the product.

WARNING! Only use the mattress sold with this bassinet. DO NOT add a second mattress on top of supplied mattress – suffocation hazard.

WARNING! Overloading, incorrect folding and the use of unapproved accessories may cause damage to the bassinet.

WARNING! The product is ready for use only when all locking mechanisms are engaged. Check carefully that these are engaged before use.

WARNING! Do not attempt to move or lift the product when a child is in it.

WARNING! Make sure the users of this product are knowledgeable on its proper operation.

WARNING! Be aware of the risk of burning cigarettes, open fires and other sources of strong heat, such as electric bar fires, gas fires etc. in the vicinity of the bassinet.

WARNING! DO NOT use the product if any part is broken, torn or missing. Contact the manufacturer for replacement parts and instructional literature if needed. Do not substitute parts.

WARNING! Before using, remove and dispose of any plastic bags and other packaging (e.g. fasteners, fixing ties, etc.) and keep them out of reach of children.

WARNING! Before assembly, check that the product and all of its components have not been damaged during transportation. Should any part be damaged, do not use and keep out of reach of children.

WARNING – Placing additional items in the product may cause suffocation.

The product must be assembled by an adult.

The product should be placed on a horizontal floor.

Young children should not be allowed to play unsupervised in the vicinity of the bassinet.

All assembly fittings should always be tightened properly and that care should be taken that no screws are loose, because a child could trap parts of the body or clothing (e.g. strings, necklaces, ribbons for babies' dummies, etc.), which would pose a risk of strangulation.

The bassinet should be locked in the fixed position when the child is left unattended.

2 Battery Safety

ATTENTION! BATTERY SAFETY: KEEP FOR FUTURE REFERENCE

CAUTION! To prevent possible battery leakage, be sure to follow the guidelines outlined below:

- Alkaline batteries are recommended for longer battery life.
- Do not mix old and new batteries.
- Do not mix alkaline, standard (carbon zinc) or rechargeable batteries.
- Non-rechargeable batteries are not to be recharged.
- Rechargeable batteries are to be removed from the product before being charged.
- Rechargeable batteries are only to be charged under adult supervision.
- Only batteries of the same or equivalent type as recommended are to be used.
- Batteries are to be inserted correctly by matching the + and - polarity markings.
- Exhausted batteries are to be removed from the product.
- The supply terminals are not to be short-circuited.
- Dispose of exhausted batteries properly.
- Remove batteries when product is stored for long periods of time.
- Insert the batteries as indicated inside the battery compartment and re-attach the battery compartment cover with screw.
- Requires 3 x "AA" batteries. Not included.

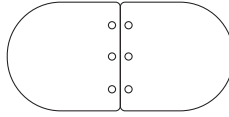
3 Parts List

A



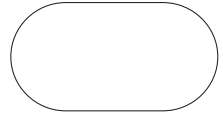
x1
bassinet

B



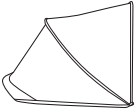
x1
base board

C



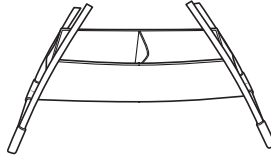
x1
mattress with
sheet

D



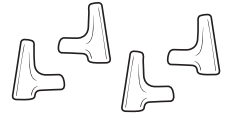
x1
canopy

E



x1
legs with storage

F



x4
feet

G



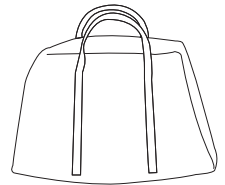
x2
foot tubes

H



x1
night light, sounds
& vibration unit

I

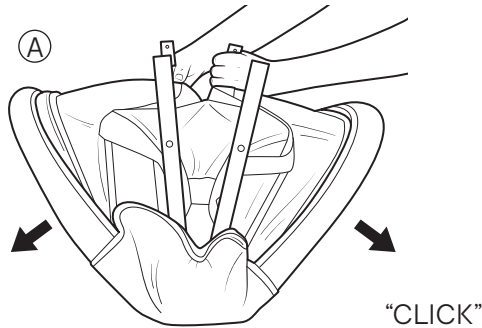


x1
storage bag

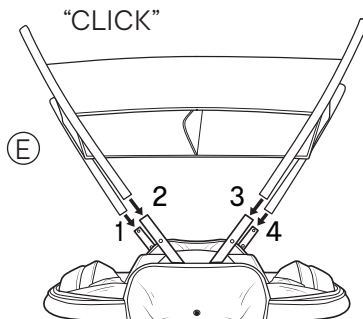
4 Assembly

Unpack all contents and check that all parts are present before starting assembly. Please refer to the parts list.

1. Turn the bassinet (A) upside down so that the frame leg joints are facing upwards. To unfold, pull the leg joints apart until the bassinet base is straightened and you hear a “click”.



2. Attach the legs with the storage basket (E) into the bassinet upper frame tubes making sure the buttons face inward and “click” into place.

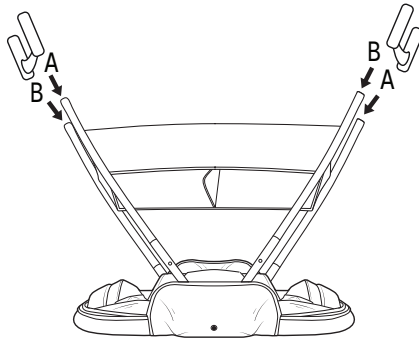


4 Assembly (continued)

3. Connect the feet (F) by inserting a foot tube (G) into the tube housing of both feet until the release button “clicks” into place. Repeat for the other side.

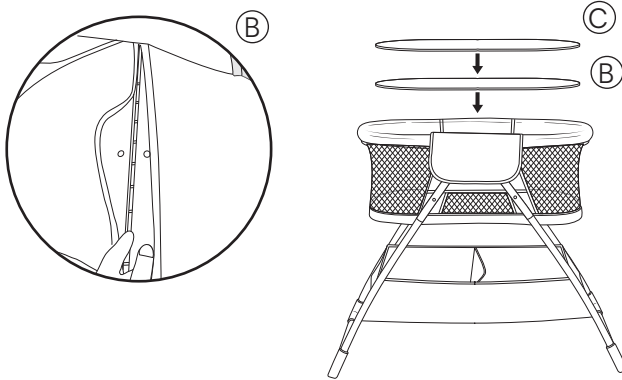


4. Connect each assembled foot tube section into the legs, ensuring to “click” in place. Ensure that the A feet are inserted into the A tubes and the B feet are inserted into the B tubes.

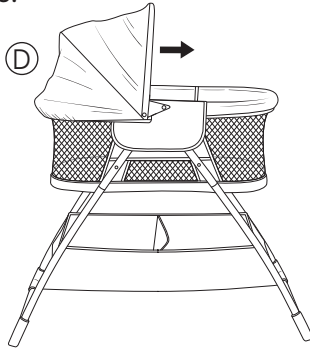


4 Assembly (continued)

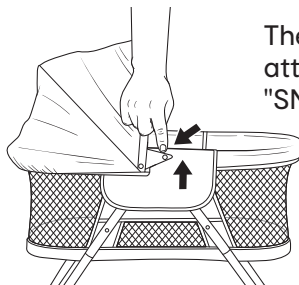
5. Insert the base board (B) with hinge side down underneath the mattress (C), and cover using the mattress sheet. Turn the assembled bassinet over and place the board with mattress and sheet inside the bassinet.



6. To assemble the canopy, stretch canopy (D) over the frame. The insect net is part of the canopy and may be unfolded for use, or re-folded within the canopy when not in use.



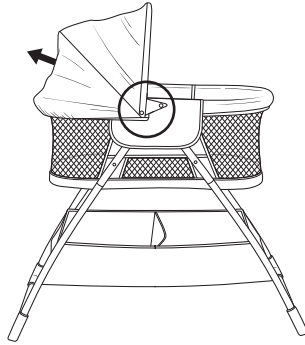
7. Fasten the two press studs on each side of the frame to secure the canopy.
NOTE: The press studs located on the triangle shaped tabs should be fastened to the top press studs.



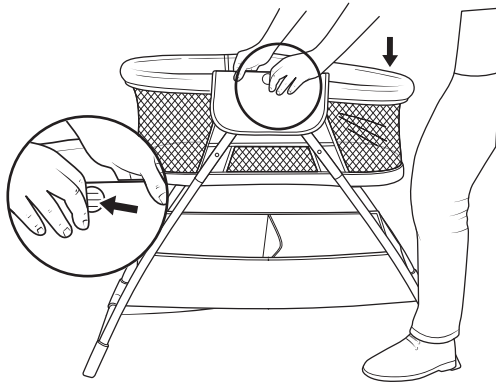
The studs are securely attached when you hear a "SNAP".

5 Folding

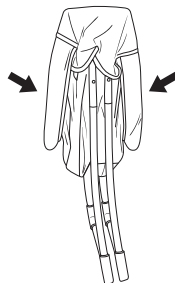
1. If the canopy is attached to the bassinet, you must remove it by undoing the press studs on each side of the bassinet.



2. Press the centre buttons on each side of the fabric cover as per below image. Lift up the sides of the frame slightly and start to fold down both sides of the bassinet.



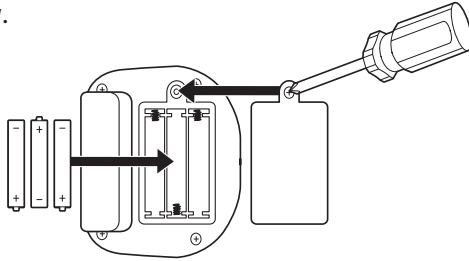
3. Continue folding bassinet inwards.



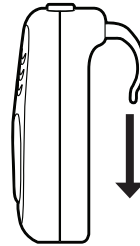
6 Night Light Unit

1. The unit requires 3 x AA 1.5 Volt batteries.

To fit or replace the batteries: Loosen the screw on the battery compartment cover using a suitable screwdriver and remove the battery compartment cover. Remove the spent batteries and replace with new batteries ensuring that they have been inserted with the correct polarity as shown on the inside of the battery compartment. Replace the battery compartment cover and tighten the screw.



2. Attach the night light unit onto bassinet by sliding the unit clip over the bassinet frame.



Night Light Unit Functions



Press to play Brahms's Lullaby. Press again to turn sound off. Press again to play soothing white noise sound which mimics a swooshing womb. Sounds automatically shut off after five minutes.



There are 2 volume levels. Press to adjust volume.



Press the button to turn night light on and off.



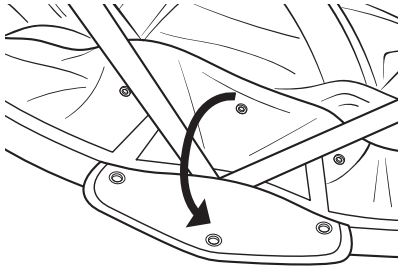
There are two vibration levels. Press button to turn vibration on and again to change level. Press a third time to turn vibration off.

WARNING!

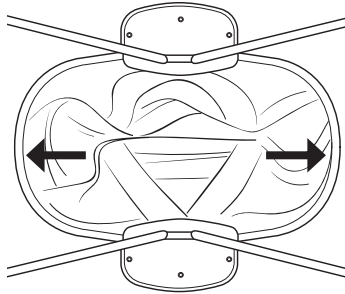
The night light product is not a toy. Do not allow children to play with the night light. Use with proper adult supervision. NEVER mix old and new batteries. NEVER mix alkaline, standard, or rechargeable batteries. ALWAYS remove batteries when light is stored for an extended period of time or when batteries are exhausted. Dispose of exhausted batteries properly.

7 Care and Maintenance


1. Turn bassinet upside down.
2. Undo the side flaps (with press studs) from the frame.



3. Unzip fabric at each end to remove, wash and air dry.



Care

- Wipe plastics and metals with a damp cloth. A mild disinfectant may be used.
- Remove mattress and cover. Warm machine wash on gentle cycle. Do not bleach. Do not tumble dry. Do not iron (Bassinet Cover). Warm iron if required (Mattress Cover/Sheet). Do not dryclean. 
- Never clean any part of bassinet with abrasive pads, ammonia based, bleach based or spirit type cleaners.
- Ensure the bassinet is fully dry before use or storage.
- Always ensure the bassinet is stored in a dry place away from direct sunlight.

Maintenance

- Regularly maintain your bassinet to keep it in good working order.
- Regularly check all parts of the product to ensure that they are operating correctly and for signs of wear or damage.
- Do not use this product if any part is broken, torn or missing and use only spares provided by the manufacturer.

KEYCODE: 43140800

MADE IN CHINA

FOR AU / NZ: IMPORTED FOR KMART STORES IN AUSTRALIA
AND NEW ZEALAND. KMART CUSTOMER SERVICE

AU: 1800 124 125 NZ: 0800 945 995