



3-in-1 Activity Centre & Magnetic Art Easel

Model # 43140985



**IMPORTANT:
RETAIN FOR FUTURE REFERENCE,
READ CAREFULLY**

Read all instructions before assembly and use of the activity centre.
Keep instructions for future use.

WARNING

**BEFORE ASSEMBLING THIS ACTIVITY CENTRE, READ AND UNDERSTAND THE INSTRUCTIONS.
KEEP INSTRUCTIONS IN A SAFE PLACE FOR FUTURE REFERENCE.**

The product shall be assembled by an adult.

Never leave a child unattended.

Always keep child in view whilst in the activity centre.

Only use on flat surfaces free of objects that could cause the activity centre to tip over.

To avoid burns, keep the child away from hot liquids, ranges, radiators, space heaters and fireplaces etc.

Do not use the activity centre if it is damaged or broken.

Do not use until baby can sit up by itself. Discontinue seated use mode when child begins to walk.

Remove packaging from activity centre vicinity after assembly.

Use only accessories as recommended by the supplier.

Check that the item is assembled correctly before use.

This item is designed for use by a child 6 months + and up to 11 kgs.

This activity centre should not be used by a child who cannot sit up unaided.

Promptly replace any worn out or broken parts.

The activity centre should not be carried with a child in it.

Keep medication, strings, elastics and small toys out of reach from any position of the activity centre.

WARNING

FALL HAZARD

Babies can **FALL** from product resulting in head injuries.

- **NEVER** leave child unattended. **ALWAYS** keep child in view while in product.
- **NEVER** use near stairs.
- To avoid tip over, use product on a flat, level surface.

STRANGULATION HAZARD

Strings can cause **STRANGULATION**.

- **DO NOT** place items with a string around child's neck, such as hood strings or pacifier cords.
- **DO NOT** suspend strings over product or attach strings to toys.



Battery Safety Information

In exceptional circumstances, batteries leak fluids that can cause a chemical burn injury or ruin your product. To avoid leakage:

- **DO NOT** mix old and new batteries or batteries of different types: alkaline, standard (carbon zinc) or rechargeable (nickle-cadmium).
- Insert batteries as indicated inside the battery compartment.
- Remove batteries during long periods of non-use.
- **ALWAYS** remove exhausted batteries from the product.
- Dispose of batteries safely.
- **DO NOT** dispose of this product in a fire. The batteries inside may explode or leak.
- Never short-circuit the battery terminals.
- Use only batteries of the same equivalent type, as recommended.
- **DO NOT** charge non-rechargeable batteries.
- Remove rechargeable batteries from the product before charging.
- If removable, rechargeable batteries are used, they are only to be charged under adult supervision.

Congratulations on your purchase of the **3-in-1 Activity Centre & Magnetic Art Easel**

This product has been designed and developed with safety, comfort and functionality in mind. Please take the time to read this manual carefully before using this product and keep it in a safe place for future reference.

Contents

Assembly contents list

Assembly / Operating instructions

How to care for your **Activity Center**




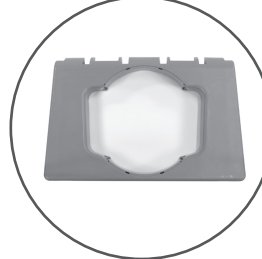

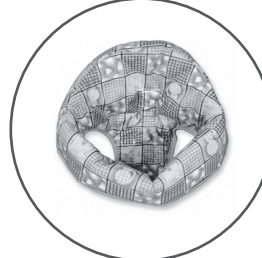
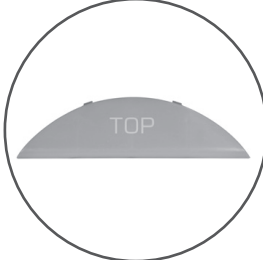
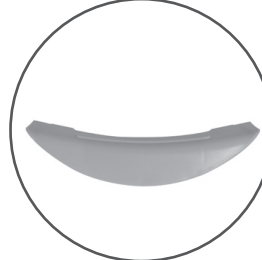


Due to variations in the style and design of our products, the photographs and illustrations shown in this instruction manual are generic, therefore product fabrics, colour and design may vary from images shown. CNP Brands reserves the right to alter product specifications without notice as a result of our ongoing policy of product improvement.

Check what you have received...

You have received **1 box**. Please check the contents of the box against the list below. If anything is missing, please contact Customer Service.

In Australia, contact **CNP Brands on 1300 667 137**, in New Zealand contact **Wainhouse Distribution on 0800 567 5000**.

Supplied loose in box:

Tray		x 1	Legs		x 2
Seat Ring		x 1	Seat Pad		x 1
Upper Leg Cap		x 2	Lower Leg Cap		x 2
Toy Bar		x 1	Toy Loops		x 2

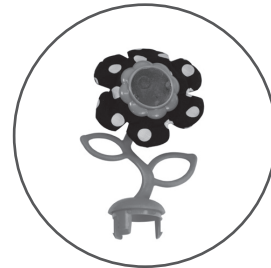
Supplied loose in box:

Owl Toy



x 1

Flower Toy



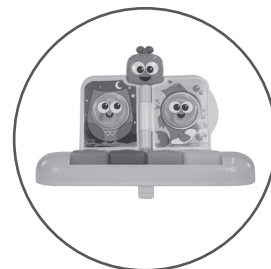
x 1

Caterpillar Toy



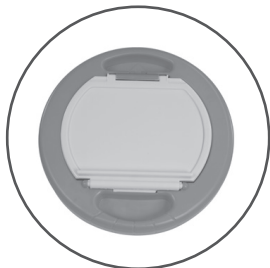
x 1

Piano Toy



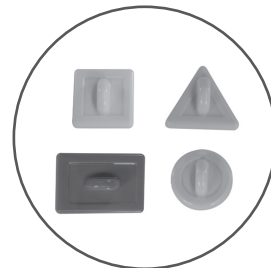
x 1

Easel



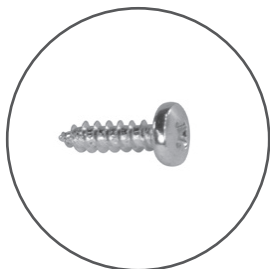
x 1

Magnet Toys



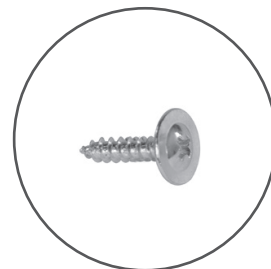
x 1

13mm Screws



x 8

10mm Washer Head Screw



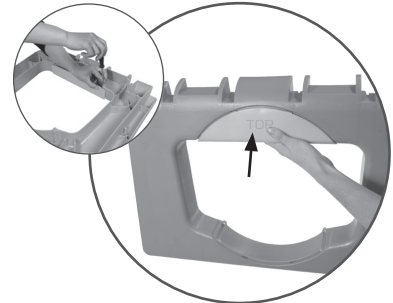
x 8

There are no accessories recommended for use with this product.

To Assemble Frame...

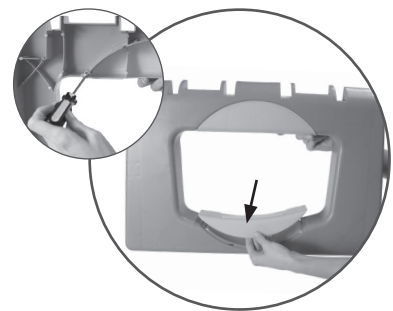
1

- 1a. Attach one Upper Leg Cap to one Leg until it snaps into place.
- 1b. Secure using 2 x 13mm screws.



2

- 2a. Attach one Lower Leg Cap to the same Leg until it snaps into place.
- 2b. Secure using 2 x 13mm screws.

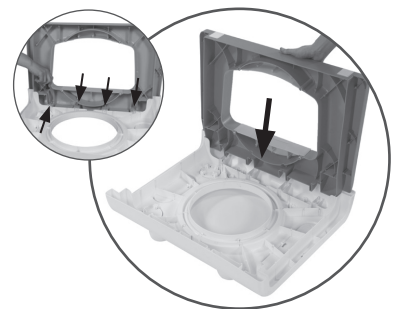


3

- 3a. Repeat steps 1a - 2b for the remaining Leg.

4

- 4a. Lay the Tray face down.
- 4b. Insert one Leg down into the long side of the Tray.
- 4c. Secure using 4 x 10mm Washer Head Screws.



5

- 5a. Repeat steps 4b - 4c for remaining Leg.
- 5b. Ensure both Legs are tight and secure. Stand upright.



To assemble Seat Pad...

1

1a. Place Seat Pad over the Seat Ring ensuring the Seat Pad tabs align with the grooves on the Seat Ring.



1b. Pull Seat Pad tabs over Seat Ring grooves until secure.

NOTE: Push down on Seat Pad to ensure Seat is assembled correctly.



2

2a. Align the Seat with space in Top Tray.

2b. Push down and into place.



To adjust Seat Pad height...

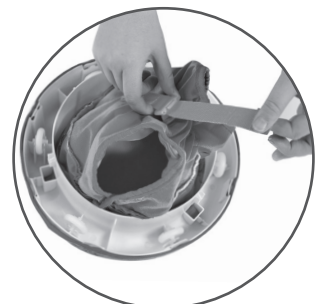
1

1a. Push side buttons on side of clip and tighten or loosen to desired position.

For smaller babies, seat pad should be extended to its longest position.

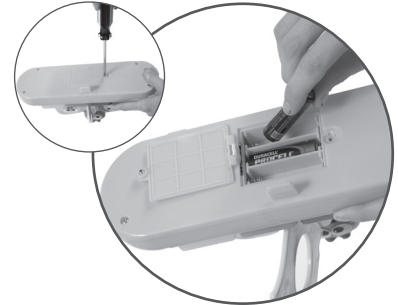
As your child grows, the seat pad should be slowly adjusted to the shortest position.

The above will help prevent your child from being flat footed and prevents your child from climbing out.



To install batteries in Piano Toy...

- 1 1a. Using a Philips Head Screwdriver, unscrew the battery compartment lid and insert 3 x AA batteries (not supplied).
- 1b. Re-secure battery compartment lid.



To assemble Toys...

- 1 1a. Place the Activity Centre so that the largest toy recess is facing you.
- 1b. Insert Caterpillar Toy into top toy recess until secure.



- 2 2a. Insert Toy Bar into toy recess on both sides of Caterpillar Toy until secure.



- 3 3a. Insert 2 x Toy Loops into toy recess in front of Toy Bar until secure.



To assemble Toys continued...

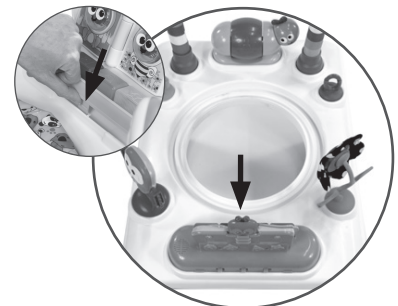
- 4** 4a. Insert Flower Toy into toy recess at front right of Tray until secure.



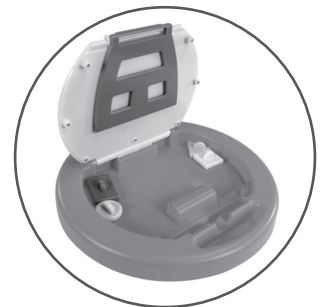
- 5** 5a. Insert Owl Toy into toy recess at front left of Tray until secure.



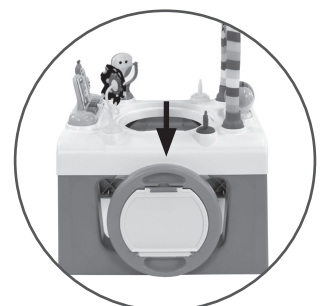
- 6** 6a. Ensure Piano Keys are facing into the Activity Centre, Insert Piano Toy into front toy recess until all securing tabs are engaged.



- 7** 7a. Open the Easel and store the 4 x Magnets inside.

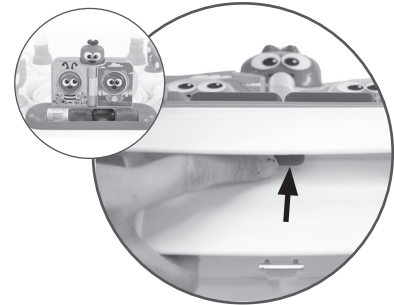


- 8** 8a. Ensure the arrow on the Easel is facing up. Gently insert the Easel into the Leg opening until it is held in place.



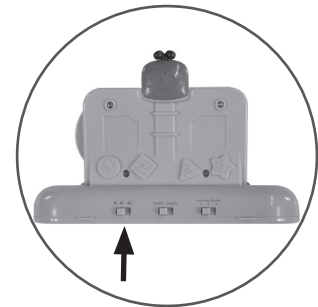
To change direction of Piano Toy...

- 1
 - 1a. Release Piano Toy from Tray by pressing the release tab on underside of Tray and pulling Toy away from Tray.
 - 1b. Rotate Piano Toy to face away from Activity Centre and re-assemble.

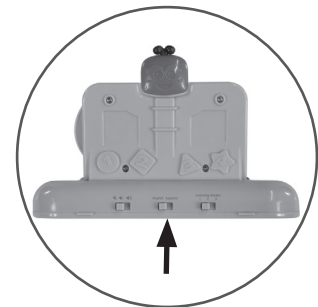


To operate Piano Toy...

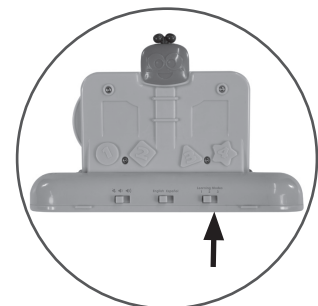
- 1
 - 1a. First switch located on the back of the Toy is the volume control switch. To adjust volume, slide switch to desired setting.



- 2
 - 2a. Second switch located on the back of the Toy is the language control switch. To adjust language between English & Spanish, slide switch to desired setting.



- 3
 - 3a. Third switch located on the back of the Toy is the learning mode control switch. To switch between learning modes, slide switch to desired setting.



Mode 1: Lights & Sounds

(This mode is focused on helping children learn colours, shapes, numbers and animals).

Mode 2: Music & Storybook Poems

(This mode teaches children simple poems and music notes).

Mode 3: Find & Touch

(This mode encourages children to find animals, colours and shapes).

To convert to Play Centre...

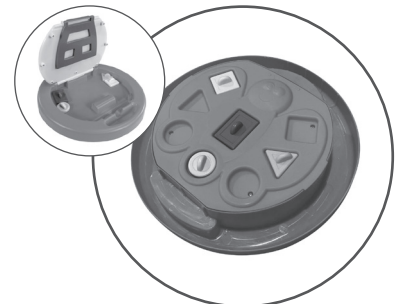
- 1
 - 1a. Turn the Activity Centre on its side.
 - 1b. Locate the tabs underneath the Seat Ring. Push at least two of these tabs in toward middle to release whilst pulling Seat away from Activity Centre.



- 2
 - 2a. Stand Activity Centre upright.
 - 2b. Remove the Easel from the Leg and place into the Seat hole opening with the shape puzzle facing up.



- 3
 - 3a. Open the Easel and remove the magnets.
 - 3b. Close Easel and place magnets on top of shape puzzle.

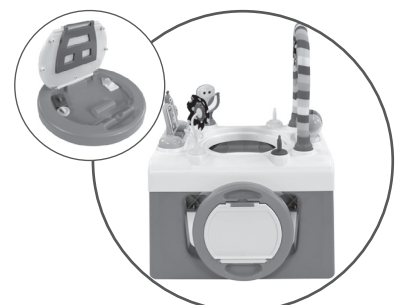


To use Easel...

- 1
 - 1a. Remove Easel from the Leg opening.
 - 1b. Open the Easel and flip out the back support to keep the Easel propped up.



- 2
 - 2a. When not using the Easel, store the magnets inside the Easel and store the Easel in either of the Leg openings.



Cleaning

This product has been designed and developed with safety, comfort and functionality in mind. Please take the time to read this manual carefully before using this product and keep it in a safe place for future reference.

To ensure the long-lasting use of your activity centre, do not use abrasive cleaners. Always store product in a clean dry place.

Seat Pad: Remove from seat. Cold machine or hand wash separately. Use mild soap or detergent if necessary.

Frame: Wipe the frame with a soft, clean cloth and mild soap.

Maintenance

Always check parts regularly for tightness of screws, nuts and other fasteners – tighten or replace if required. To maintain the safety of your walker, seek prompt repairs for bent, torn, worn or broken parts. Use only those parts and accessories approved by **CNP Brands**.

If you have any difficulties in assembling the activity centre, please contact our Service Department.

In Australia, contact **CNP Brands on 1300 667 137**, in New Zealand contact **Wainhouse Distribution on 0800 567 5000**.

Warranty

For all warranty terms and conditions, please visit cnpbrands.com.au



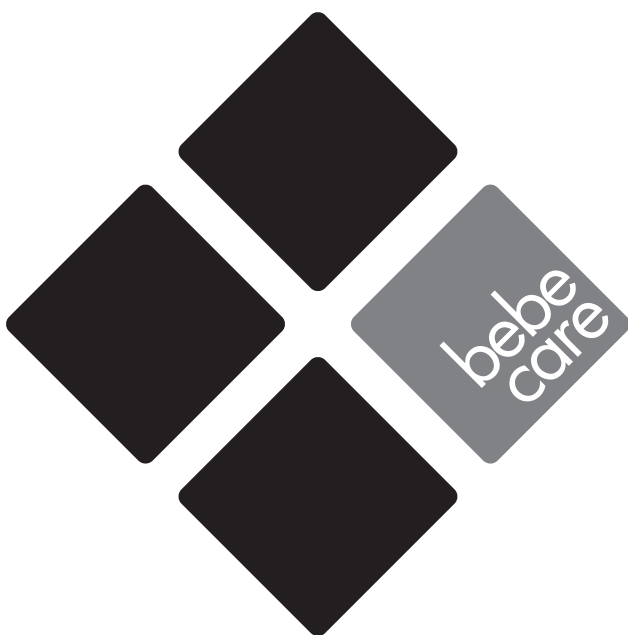
CNP BRANDS[®]

CHILDCARE NURSERY PRODUCTS

About CNP Brands

Currently, **CNP Brands** boasts one of the most diverse brand portfolios with a combination of company owned brands and distribution agreements.

Our own brands, including **Childcare**, have gone from strength to strength in recent years. **Childcare**, and our premium brand **bebe care**, demonstrate our commitment to quality and continuing investment in product development.



NOTES



A series of horizontal dotted lines for writing notes.



CNP BRANDS®

CHILDCARE NURSERY PRODUCTS



Distributed in Australia by CNP Brands
82 Maribyrnong Street, Footscray, VIC, 3011
Customer Service 1300 667 137

W: www.cnpbrands.com.au
E: info@cnpbrands.com.au
F: www.facebook.com/CNPBrands
I: [@cnp_baby](https://www.instagram.com/cnp_baby)

Distributed in New Zealand by Wainhouse
Distribution
2-6 Argyle St, Morningside,
PO Box 41-014,
St Lukes, Auckland, New Zealand
Customer Service: 0800 567 5000

E: helpline@wainhousedist.co.nz

