

FRONT SIDE

Safety Instructions

To ensure proper operation of this appliance, please read this instruction manual carefully before you use the appliance and save it for further reference.

Battery and Appliance Disposal

Eco-Friendly Tips

Please do not dispose of the appliance containing the lithium batteries with the normal household waste. Batteries contain substances harmful to our environment, please do not dispose the appliance with the normal household waste, instead, hand it over to an official recycling point.

Trouble Shooting

Problem	Possible Cause	Solution
LED Light is not bright enough or it does not turn on.	The battery is running low or is out of power.	Charge the appliance as guided.

CAUTION

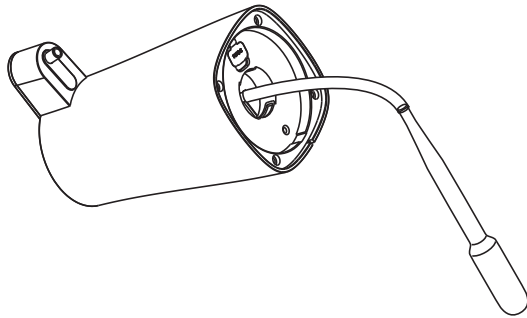
This appliance has a lithium battery. Do not place or store the appliance for long periods of time in a hot or humid environment. If you do not intend to use the appliance for a long time, store the appliance after is fully charged.

What should you do if the soap dispenser doesn't spray gel?

Step 1: Confirm the soap dispenser is fully charged before using.

Step 2: If the issue is not resolved, please use the flexible pipe to inject warm water to flush the internal pipe as shown above. Repeat 2-3 times until the blockage is cleared and water flows freely out of the spout.

Remarks: Step 2 may be followed as part of ongoing maintenance of product.

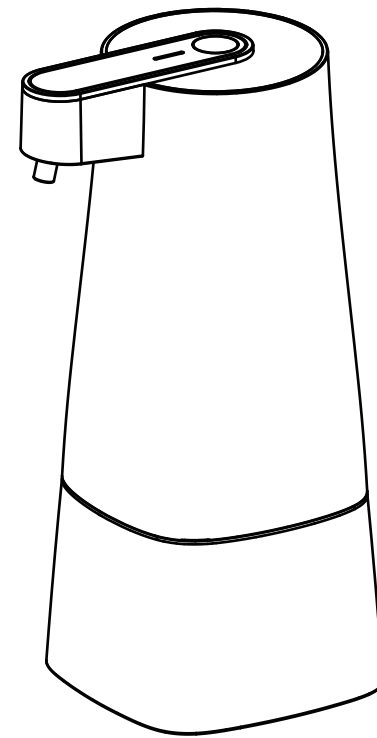


anko

Rechargeable Automatic Soap Dispenser

USER MANUAL

KC43151325



IPX4 Water Resistant

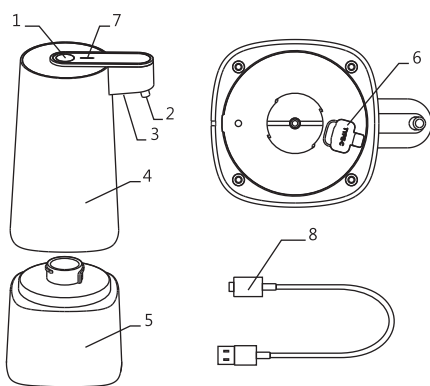
165mm

110mm

220mm

BACK SIDE

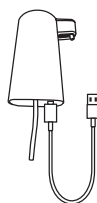
Components



1. Power Button
2. Spout
3. Infrared Sensor
4. Main Body
5. 300ml soap tank
6. USB charging interface
7. Indicator light
8. Worldwide USB Type C cable (Rating: 1.5W, Voltage: 5V)

Usage

1. Open the soap tank by rotating it gently in a **clockwise** direction.
2. Open the interface protection cover, connect USB cable to a suitable adapter for charging, normal charge time is about 3-5 hours.
3. Most hand sanitisers can be used in dispenser but not foaming soaps. (not suitable for foaming liquids)
4. Power on: Press and hold the Power Button for 1-2 seconds to switch it on (White indicator light flashes once)
Power off: Press and hold the Power Button for 1-2 seconds to switch it off (Red indicator light flashes)
5. To use, place your hand approximately 5cm under the sensor and wait for liquid to be dispensed.
6. There are 2 adjustable levels
Press and hold the power button to power on (White indicator light flashes once):
At this time, the machine is at first level mode and the gel output is 1.3ml
Press the power button once again (White Indicator light flashes twice):
At this time, the machine is at high level mode and the gel output is 3ml



Charging

1. Normal charging time is about 3-5 hours, and can be used for about 2-3 months. We suggest charge it up to 6-8 hours for first time.
2. White indicator light is on while charging, and white indicator light will flash when it is full charged.
3. Red indicator light will flash if there is not enough power and charging is required.
4. Ensure charging adapter used is compatible with a 5V / 1A rating.

Attentions

1. Please place the unit on a dry level surface, without water covering.
2. Please use the liquid soap/hand sanitiser which contains low concentration.
3. Please Turn the unit off before it is moved.
4. **DO NOT** exposure the unit under to direct the sun or strong light, which may interfere IR sensor system.
5. When not used for an extended time, drain and clean with a soft towel. Store in a dry place.
6. Store manual in a safe place for future reference.

Product Specification

Model: PS-2049
Built-in battery: 1800mA Lithium battery
Input Voltage: 5V
Power: Max. 1.5W
Volume: 300ml
charge time: 3-5 hours
use time: about 2-3 months

Storage Instructions

1. Press and hold the switch to turn off the machine.
2. Turn gently to open the soap tank, pour out the remaining liquid in the soap tank.
3. Rinse the soap tank with clean water, and gently rotate it in a clockwise direction to clean it.
4. Press and hold the power button for 1-2 seconds to turn on the machine, put your hand under the sensor, and let clean water go through the pipe of the machine until water comes out from the spout.
5. Rotate and remove the soap tank and rinse it with clean water. Wipe the soap tank and body with a dry cloth.
6. Then press and hold the switch to turn off the machine again.
7. The soap dispenser should be stored in a place where is safe, dry and clean.

Cleaning & Maintenance

1. Do not immerse the appliance in water. Clean the appliance surface with a dry cloth or with a cloth moistened with water.
2. Do not use any lubricant, detergent, polishing agents, alcohol, steel wool, abrasive cleansers, chemicals or corrosive liquids on this appliance.