

anko

Portable USB Blender

JLR-76900

User Manual



**PLEASE READ AND SAVE THESE
INSTRUCTIONS FOR FUTURE REFERENCE**

IMPORTANT SAFEGUARDS

When using any electrical product, always follow these basic safety precautions:

Warning: Do not keep the product idling with empty juice cup!



READ ALL INSTRUCTIONS BEFORE USE

1. Please read all instructions carefully before using this product.
 2. When the product is in use, do not remove main unit from the juice cup.
 3. The juice cup can be opened after the blade has come to a complete stop.
 4. During use to avoid injury and/or damage to the product do not touch moving parts, such as blades and motor.
 5. This appliance must only be powered by USB power source corresponding to the marking on the appliance.
 6. For food hygiene always clean the product immediately after use. Wash all parts that come in contact with food with clean warm water.
- CAUTION! The blades are sharp. Handle with care when emptying the cup and during cleaning.**
7. After charging, when unplugging the USB plug, please grab by the plug when pulling it out. Do not pull from the wire.
 8. Do not place appliance in or near flammable gases or electric stoves, or in hot ovens.
 9. Do not immerse the main unit (electric motor) combination in water or other liquids to avoid the risk of fire, electric shock or personal injury.
 10. This appliance is not intended for use by persons (including children) with reduced physical, sensory or mental capabilities, or lack of experience and knowledge, unless they have been given supervision or instructions concerning use of the appliance by a person responsible for their safety.
 11. Children should be supervised to ensure that they do not play with the appliance.
 12. In the absence of supervision, the cleaning and maintenance work should not be done by a child.
 13. Use of accessories not recommended or supplied with the product may cause fire, electric shock or personal injury.
 14. For electrical safety, any repairs to the product should be carried out by a qualified electrical person only or the product must be disposed.
 15. This appliance must be always used in accordance with the user instructions supplied with the product and must not be used for other purposes.
 16. Before using, please make sure that the main body is firmly fixed.
 17. Misuse may cause serious injury.
 18. **WARNING: DO NOT BLEND HOT LIQUIDS.**
 19. Switch OFF the appliance and disconnect from supply before changing accessories or approaching parts that move in use.
 20. This appliance is intended to be used in household and similar applications such as:
 - Staff kitchen areas in shops, offices and other working environments,
 - Farmhouses,
 - By client in hotels, motels and other residential type environments,

- Bed and breakfast type environments.

21. This appliance contains batteries that are non-replaceable.

22. Be careful, do not use hot liquid in the blender as it can be ejected out of the appliance due to a sudden steaming.

23. For cleaning, please refer to “CLEANING AND STORAGE” section.

IMPORTANT!

WARNING: Be alert to the risks that may lead to danger, serious injury and damage to property.

1. Do not immerse the main body (electric motor) on the appliance in water or other liquid.

2. WARNING: Do not put hot ingredients or liquid above 55°C in the juice cup to avoid bursting, splashing and to prevent scalding.

3. Do not blend ice cubes or frozen fruit only without adding some water or milk.

IMPORTANT! The blender is not designed for crushing ice.

4. This product contains non-replaceable lithium-ion batteries. Therefore, do not attempt to dismantle the product. Fire risk exist if the batteries are damaged.

5. DO NOT squeeze, puncture, or short circuit the product or put it into water, fire or use in an environment where the temperature is higher than 60°C.

6. This product is for household use only and not designed for commercial use.

7. Do not operate the product without any food/liquid in the juice cup.

8. Stirring ingredients such as bananas that are prone to foam may cause the product to stall.

9. Do not expose the product to high temperatures, strong magnetic fields, near flammable and explosive gases (such as natural gas, methane, etc.) to avoid accidents such as abnormal operation and/or fire.

10. To avoid parts deformation or damage, do not put any parts of this product in a dishwasher, microwave oven or hot water above 60°C.

11. The product has built-in lithium-ion batteries. Pay attention to the following:

a) Only use and store the product in an environment where the temperature is between -5°C to +35°C.

b) If not used for a long time, re-charge every three months to prolong battery life and prevent battery damage.

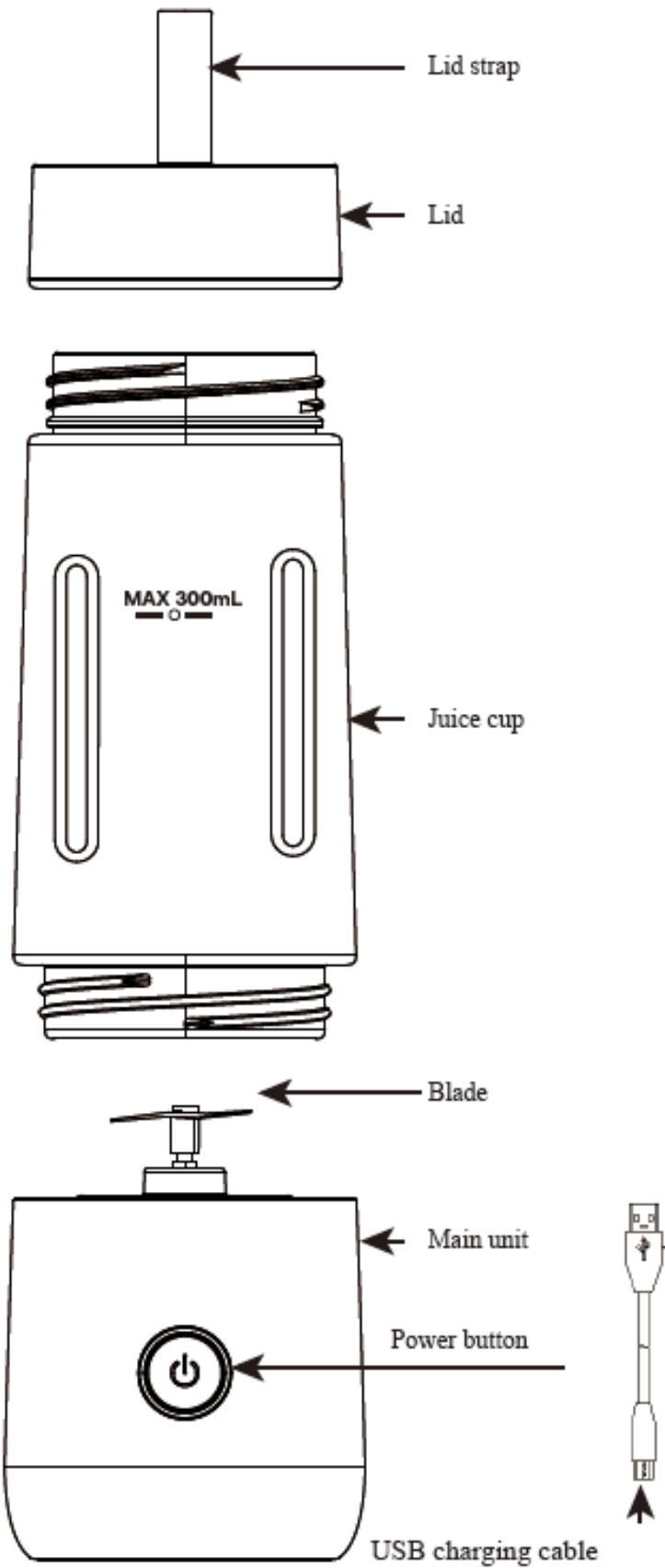
c) Charging time may be longer when the room temperature is below 10°C, which is normal.

d) Charge the battery in time when the battery power goes low.

WARNING: The maximum operating time is 45 seconds. Allow the appliance to rest for at least 3 minutes before using it again. After 5 cycles of operation, allow the appliance to cool down for approx. 30 minutes before using it again.

**SAVE THESE INSTRUCTIONS
FOR FUTURE REFERENCE.**

KNOW YOUR PORTABLE USB BLENDER



BEFORE FIRST USE

Note: When using the appliance for the first time, carefully remove all internal and external packaging, protective film and accessories.

- Clean the main unit with a damp cloth or sponge. Wipe dry with a soft dry cloth.

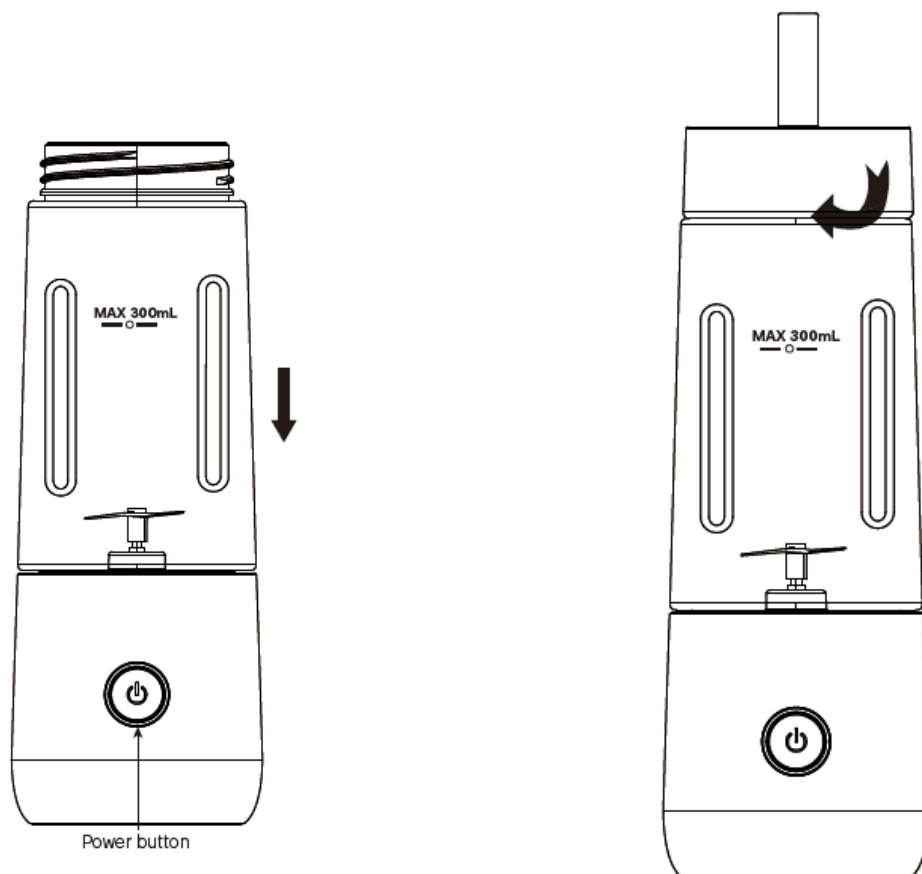
⚠ WARNING! Do not immerse the main unit in water or any other liquids to clean.

- Wash the juice cup and lid with soapy water. Dry all components thoroughly before use.
- Screw the juice cup on the main unit until you hear a slight “click”, and the indicator light will flash in white colour, indicating that the appliance can work normally.
- **Fully charge the appliance before first use.**
- The supplied USB charging cable should be inserted into the standard USB power source rated at 5Vd.c. 1A (minimum) specification. The charging time is **3-4** hours. The indicator will light in Red during charging and turns White after fully charged.
- If the battery is low, when starting to operate, the Red indication light will flash.
- If the battery has totally run out, the blender will not work at all.

USING YOUR PORTABLE USB BLENDER

WARNING: Do not put hot ingredients or liquid above 55°C in the juice cup to avoid bursting, splashing and to prevent scalding.

IMPORTANT: The blender is designed for blending soft food ingredients only. Do not blend hard or sticky/thick ingredients.



1. Place the juice cup on the main unit and turn it clockwise and screw-in properly onto the main unit.
2. Wash the fruit, cut the flesh into 2cm x 2cm pieces and put them into the cup (always remember to remove the fruit core, thick skin or hard shell before blending). Add drinking liquid to the MAX line on the cup (300mL), and screw on the lid.
3. Long press the power button, and the appliance will start stirring with the white light on. Shake the appliance gently while stirring if needed.

Note: If the blade and pulp are stuck during the process, the appliance will stop automatically with the Red indication light flashing. Turn the appliance horizontally or tilt it until the blade is separated from the pulp. Restart the appliance to continue stirring.

During the mixing process, if you click the power button, the appliance will stop working. To restart the appliance, long press the power button again.

4. The appliance will automatically turn off automatically after 45 seconds of stirring. Unscrew the lid to drink the juice from the cup.

NOTE: Do not continuously stir with excessive intensity.

NOTE: If the juice cup is empty, the blender will still operate for 45 seconds (1 cycle).

CLEANING AND STORAGE

- Make sure the blade has come to a complete stop before cleaning.
- Do not use abrasive cleaners or corrosive liquid (such as gasoline, acetone) to clean the product.
- The main unit can be wiped with a damp soft cloth. Do not rinse, soak or spray water or other liquids to avoid damage to the appliance (main unit).
- Rinse the inside of the juice cup and the parts in contact with food with clean water and wipe dry.
- **IMPORTANT! Blades are sharp. Handle with care when cleaning.**
- Fast Cleaning: Add appropriate amount of water to the juice cup and install it on the main unit. Long press the button switch to start and operate for around 20 seconds. Then discard the water.
- When storing, ensure the product is clean and dry, and placed in a dry, ventilated area away from direct sunlight.
- This product contains a Li-ion battery. When not in use, the appliance should be stored in a clean, dry, ventilated room with an ambient temperature range of -5°C to $+35^{\circ}\text{C}$ and a relative humidity of 25% to 75%.
- When not in use, store the cup on the main unit.

TECHNICAL SPECIFICATION

Voltage: 5.0Vd.c. 1A

Juice Cup Max. Capacity: 300mL

MATERIAL OF FOOD CONTACT

Component	Material
Cup Lid, Cup base	ABS.
Shaft waterproof ring of the Cup lid & cup base & motor shaft	Silicone.
Transparent juice cup	Tritan.
Blade	304 stainless steel.
Motor shaft	304 stainless steel.

TROUBLESHOOTING

Problem	Check	Solution
The appliance does not work when the power button is long pressed	If used continuously for a long time?	Wait until the electric motor has cooled down.
	If the blade is stuck by fruit?	Remove the stuck fruit.
	If the plastic bottle is separated from the main unit?	Make sure the plastic bottle is installed properly on the main unit.
	Is the battery fully charged?	Use after battery is fully charged.
Food ingredients cannot be stirred	The quantity of food, too much or too little?	Add proper amount of food and cut into smaller cubes.
	If the cut cubes are too big or too hard?	
	If the food contains too little water?	Add some water or milk.
There is a burning smell	If used continuously for a long time?	Blender may generate some odour due to heat from friction. This is normal and it is not a product malfunction.
Red light flashes and motor won't work	If device is activated?	Recheck or reset the blender.
	If the battery runs out?	Charge the device.
	If the blender is overloaded (Faulty operation alert)?	Remove and adjust/move the food inside the juice cup and then restart the blender.

12 Month Warranty

Thank you for your purchase from Kmart.

Kmart Australia Ltd warrants your new product to be free from defects in materials and workmanship for the period stated above, from the date of purchase, provided that the product is used in accordance with accompanying recommendations or instructions where provided. This warranty is in addition to your rights under the Australian Consumer Law.

Kmart will provide you with your choice of a refund, repair or exchange (where possible) for this product if it becomes defective within the warranty period. Kmart will bear the reasonable expense of claiming the warranty. This warranty will no longer apply where the defect is a result of alteration, accident, misuse, abuse or neglect.

Please retain your receipt as proof of purchase and contact our Customer Service Centre on 1800 124 125 (Australia) or 0800 945 995 (New Zealand) or alternatively, via Customer Help at Kmart.com.au for any difficulties with your product. Warranty claims and claims for expense incurred in returning this product can be addressed to our Customer Service Centre at 690 Springvale Rd, Mulgrave Vic 3170.

Our goods come with guarantees that cannot be excluded under the Australian Consumer Law. You are entitled to a replacement or refund for a major failure and compensation for any other reasonably foreseeable loss or damage. You are also entitled to have the goods repaired or replaced if the goods fail to be of acceptable quality and the failure does not amount to a major failure.

For New Zealand customers, this warranty is in addition to statutory rights observed under New Zealand legislation.