





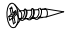





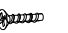



Assembly Instructions


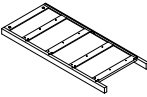
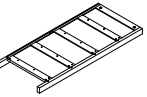
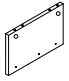
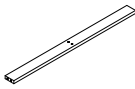
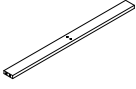
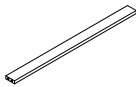
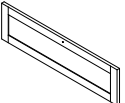
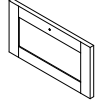
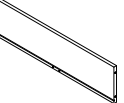
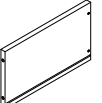
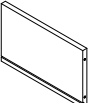
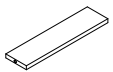
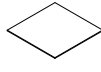
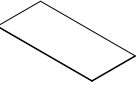
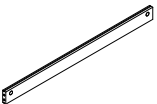
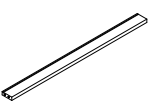
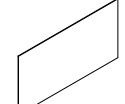
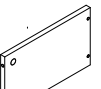
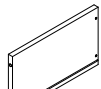
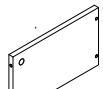
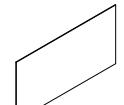
43161218 HAVEN CHEST OF 5 DRAWERS OO

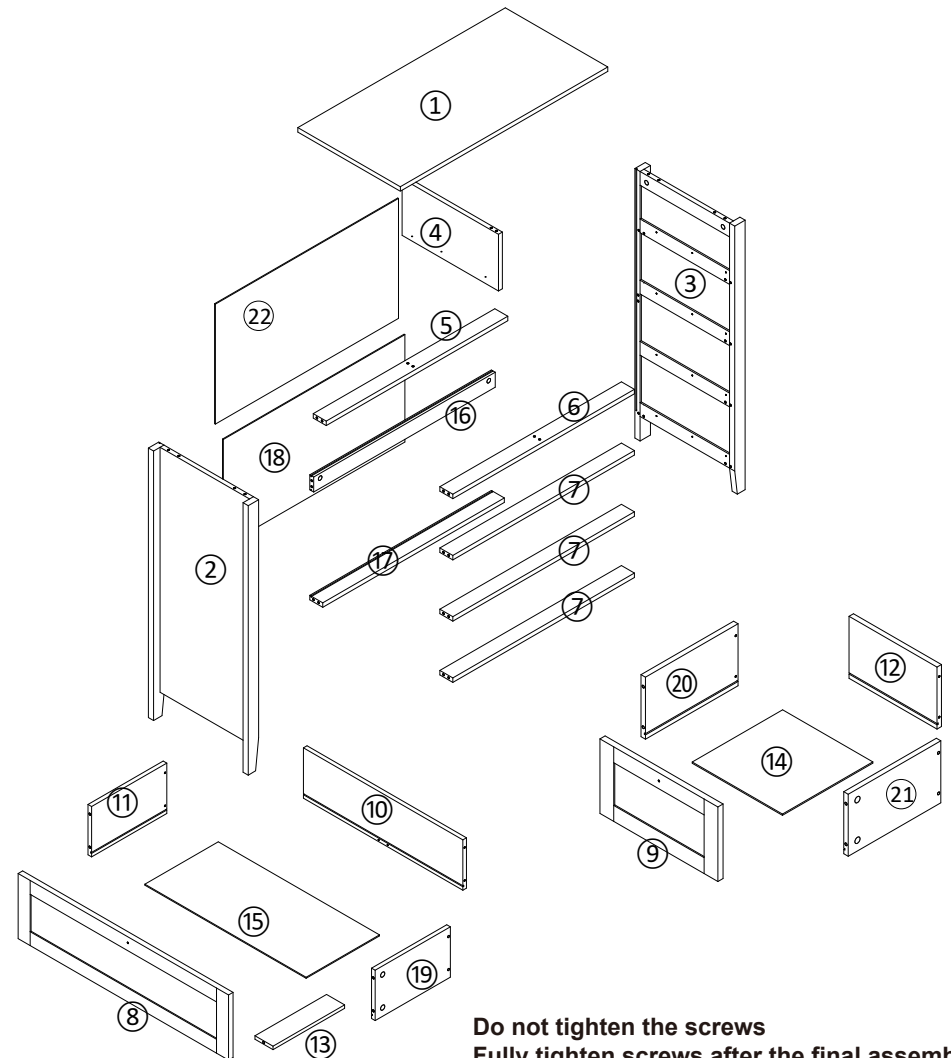
CARE INSTRUCTIONS: WIPE CLEAN WITH A SOFT CLOTH. NEVER USE SCOURERS, ABRASIVES OR CHEMICAL SOLVENTS. KEEP AWAY FROM MOISTURE AND DIRECT SUNLIGHT. STORE IN A DRY PLACE FOR INDOOR USE ONLY.

WARNING: DO NOT STAND, SIT OR LEAN ON THE UNIT. DO NOT USE THIS UNIT AS A STEP LADDER. ENSURE THIS UNIT IS USED ONLY ON A FLAT SURFACE. DO NOT USE THIS UNIT UNLESS ALL BOLTS AND SCREWS ARE FIRMLY SECURED. DO NOT PLACE HOT OBJECTS SUCH AS COFFEE CUPS DIRECTLY ON THE SURFACE OF THIS FURNITURE ITEM. THIS ITEM IS FOR STORAGE PURPOSE ONLY. CONTAINS SMALL PARTS. IT IS TO BE ASSEMBLED BY AN ADULT. FAILURE TO FOLLOW THESE WARNINGS COULD RESULT IN SERIOUS INJURY.

MAXIMUM SAFE LOAD: TOP 20KGS,BIG DRAWER:10KGS, SMALL DRAWER:5KGS.






	a	6x35mm	43pcs		g		5pcs
	b	15x9.5mm	43pcs		i	300mm	5pcs
	c	3.5x12mm	60pcs		j	300mm	5pcs
	d	6x30mm	22pcs		k	300mm	5pcs
	e	4x35mm	28pcs		l	300mm	5pcs
	f		5pcs		o		2pcs
	m	3x14mm	8pcs		n		2pcs

					
① 1pc	② 1pc	③ 1pc	④ 1pc	⑤ 1pc	⑥ 1pc
					
⑦ 3pcs	⑧ 3pcs	⑨ 2pcs	⑩ 3pcs	⑪ 3pcs	⑫ 2pcs
					
⑬ 3pcs	⑭ 2pcs	⑮ 3pcs	⑯ 1pc	⑰ 1pc	⑱ 1pc
					
⑲ 3pcs	⑳ 2pcs	㉑ 2pcs	㉒ 1pc		

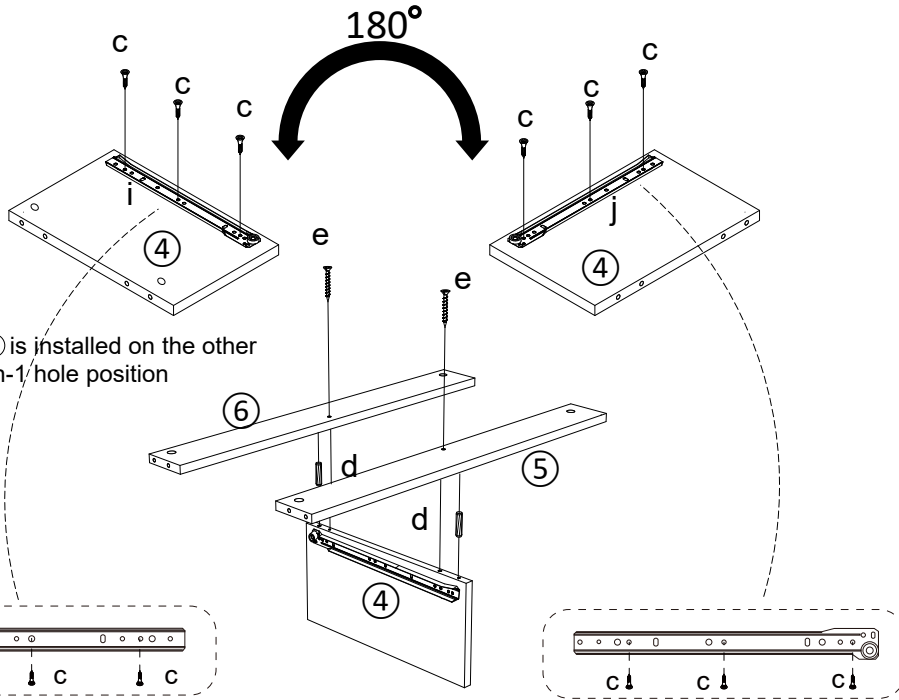


Do not tighten the screws
Fully tighten screws after the final assembly steps





step 1

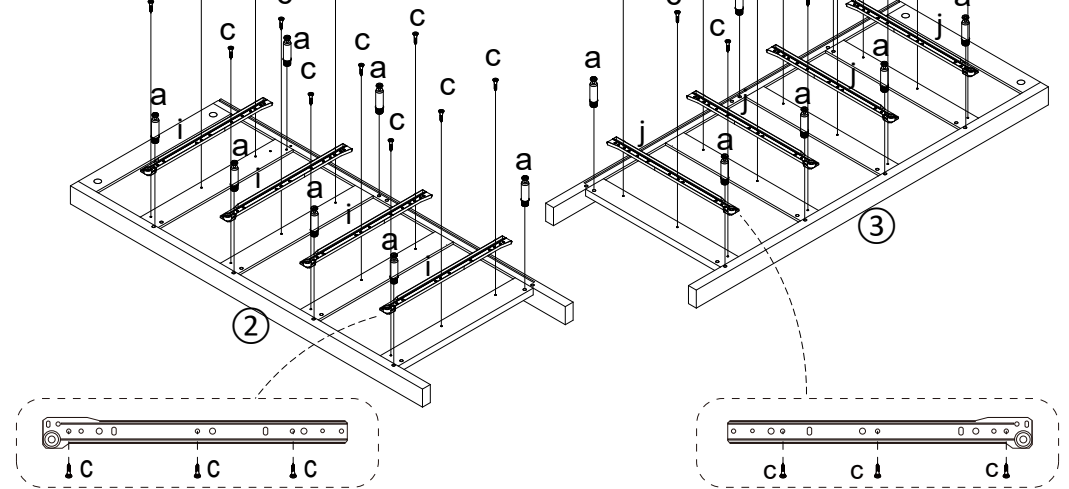
-  c x 6
-  d x 2
-  e x 2
-  i x 1
-  j x 1

The slide rail ① is installed on the other side of the 2-in-1 hole position





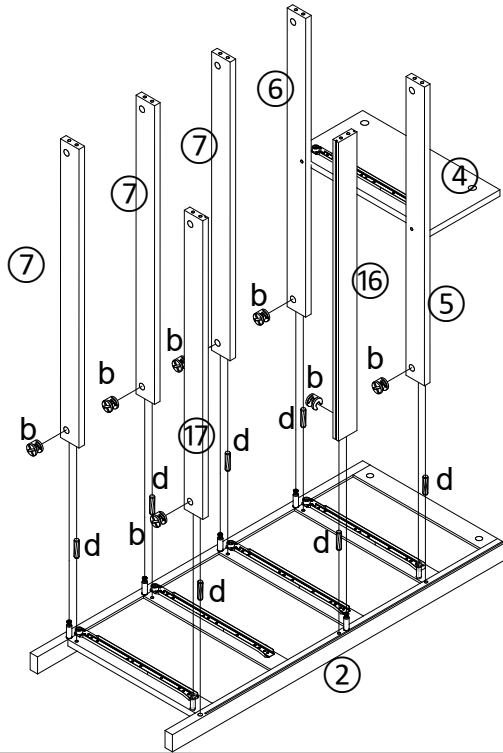
step 2

-  c x 24
-  a x 14
-  i x 4
-  j x 4

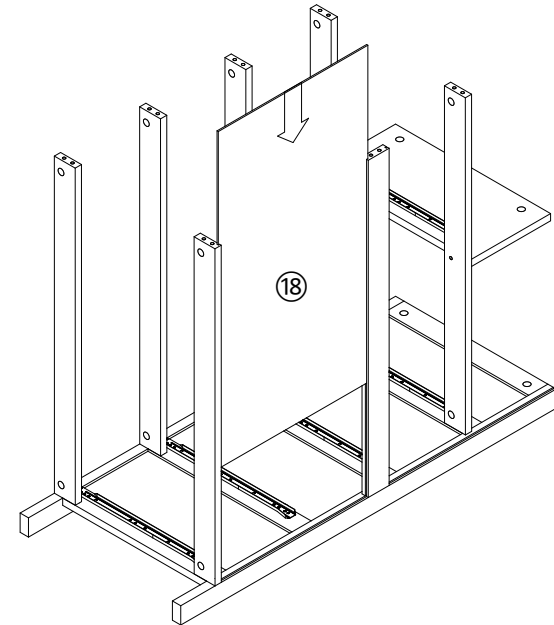


step 3



-  b x 7
-  d x 7

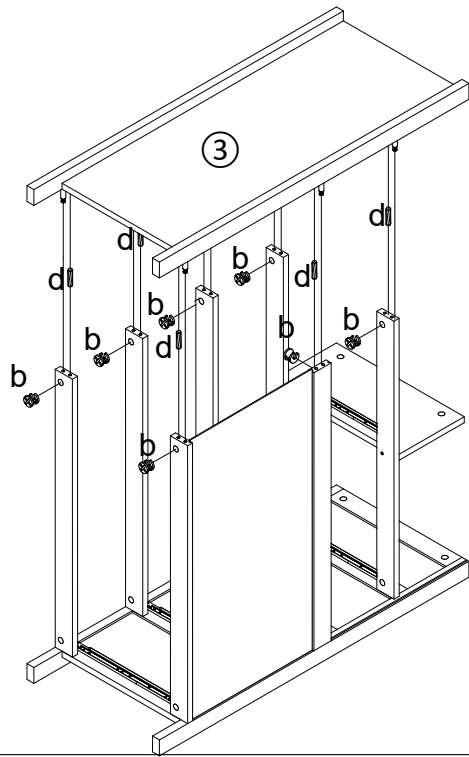


step 4

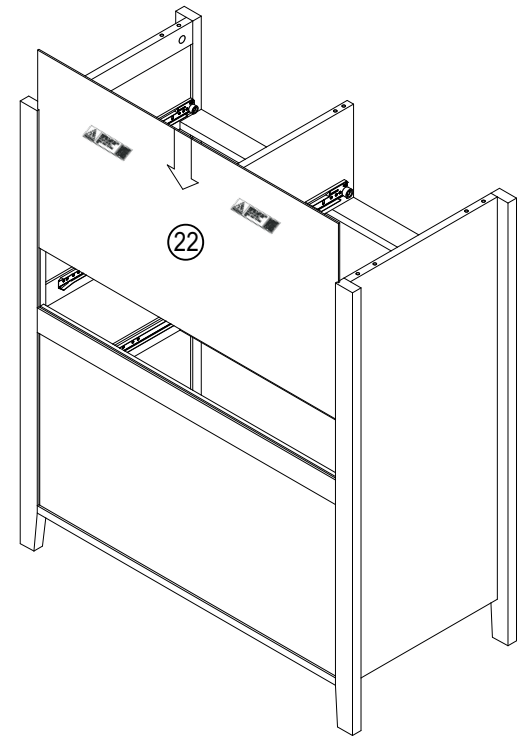


step 5


-  bx7
-  d x7

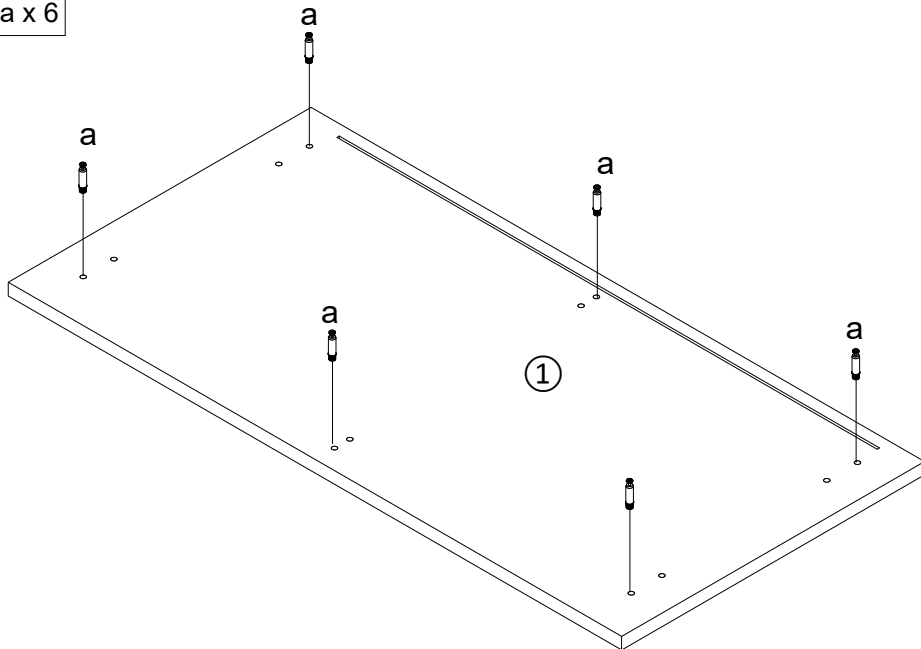


step 6





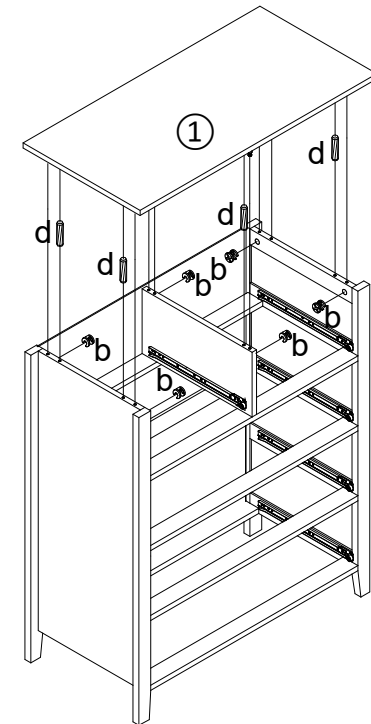
step 7

-  a x 6











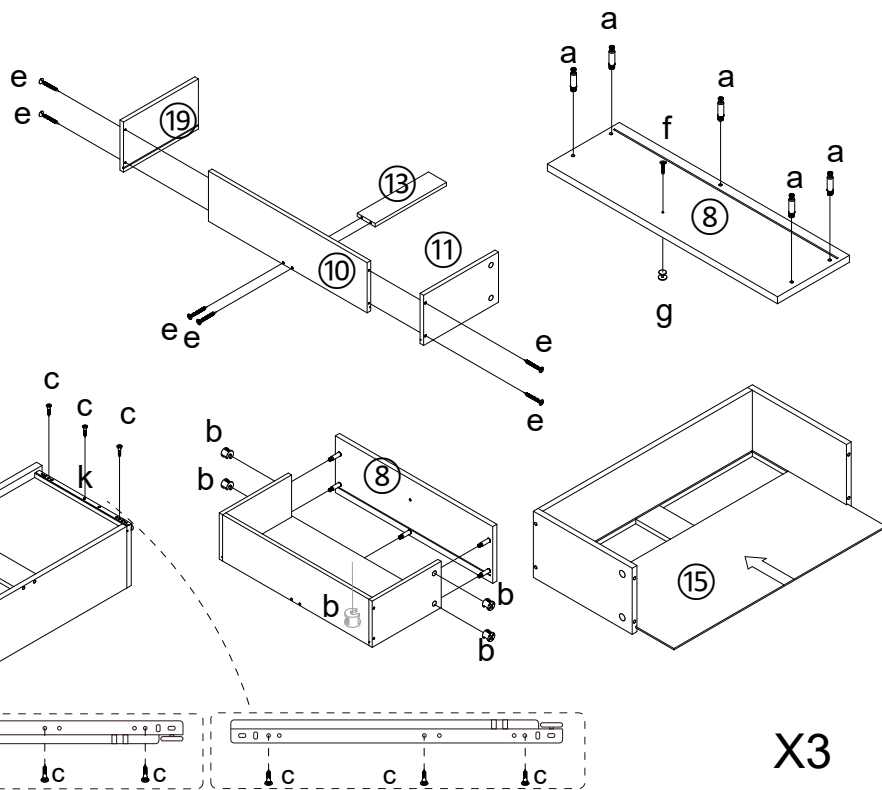
step 8

-  bx6
-  d x6



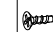

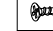
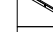




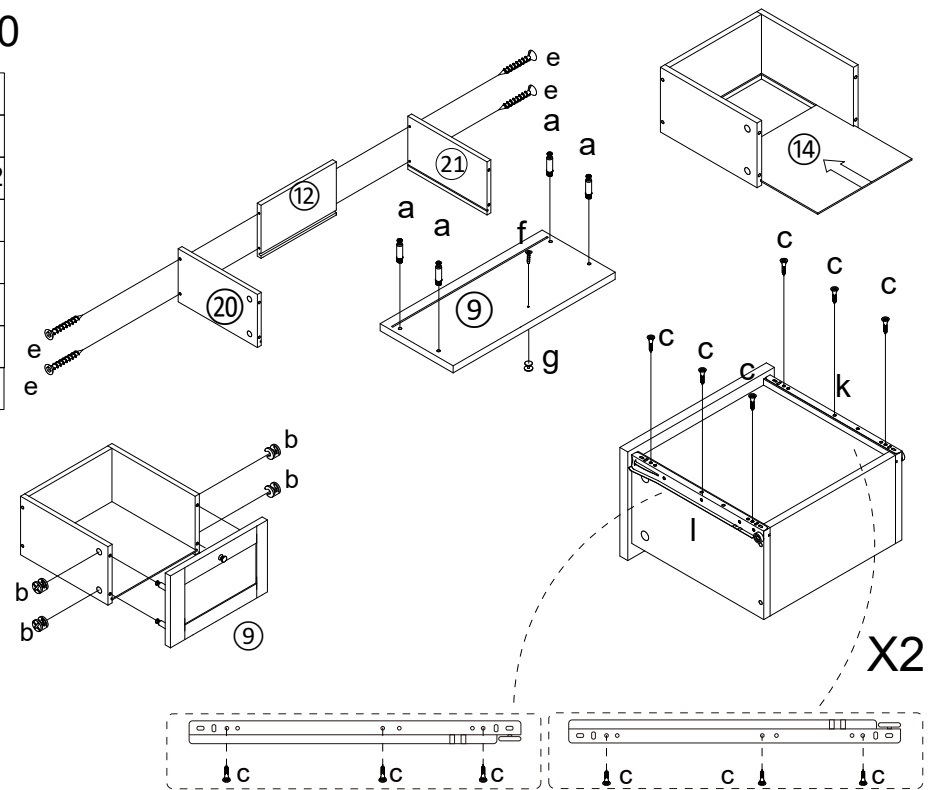
step 9

-  a x 15
-  b x 15
-  c x 18
-  e x 18
-  f x 3
-  k x 3
-  l x 3
-  g x 3


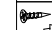



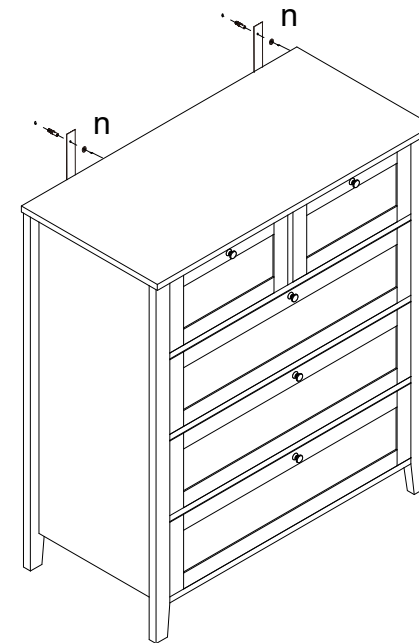
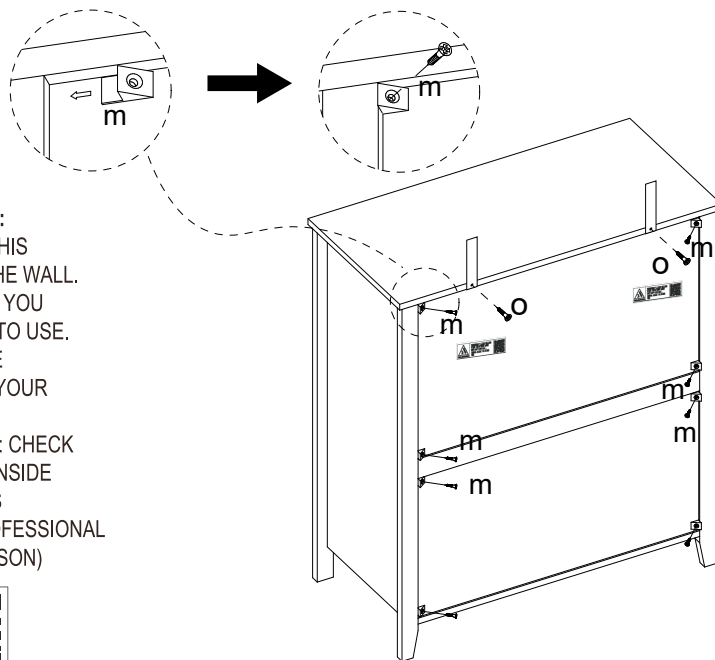
step 10

-  a x 8
-  b x 8
-  c x 12
-  e x 8
-  f x 2
-  k x 2
-  l x 2
-  g x 2



step 11

-  n x 2
-  o x 2
-  m x 8



USER INSTRUCTION FOR WALL ANCHOR:
 IT IS STRONGLY RECOMMENDED THAT THIS PRODUCT IS PERMANENTLY FIXED TO THE WALL. PLEASE SEEK PROFESSIONAL ADVICE IF YOU ARE IN DOUBT OF WHAT FIXING DEVICE TO USE. REGULARLY CHECK THAT ANCHORS ARE SECURELY MAINTAINED. CAUTION: FOR YOUR SAFETY WHEN ATTACHING THE ANCHOR FIXINGS, PLEASE NOTE THE FOLLOWING: CHECK ANY ELECTRICAL WIRES OR PLUMBING INSIDE THE WALL BEFORE DRILLING ANY HOLES (IF YOU ARE UNSURE PLEASE SEEK PROFESSIONAL ADVICE FROM A QUALIFIED TRADESPERSON)



WARNING: PLEASE SECURE YOUR FURNITURE WITH THE SUPPLIED WALL FIXING. SCAN THE CODE FOR

