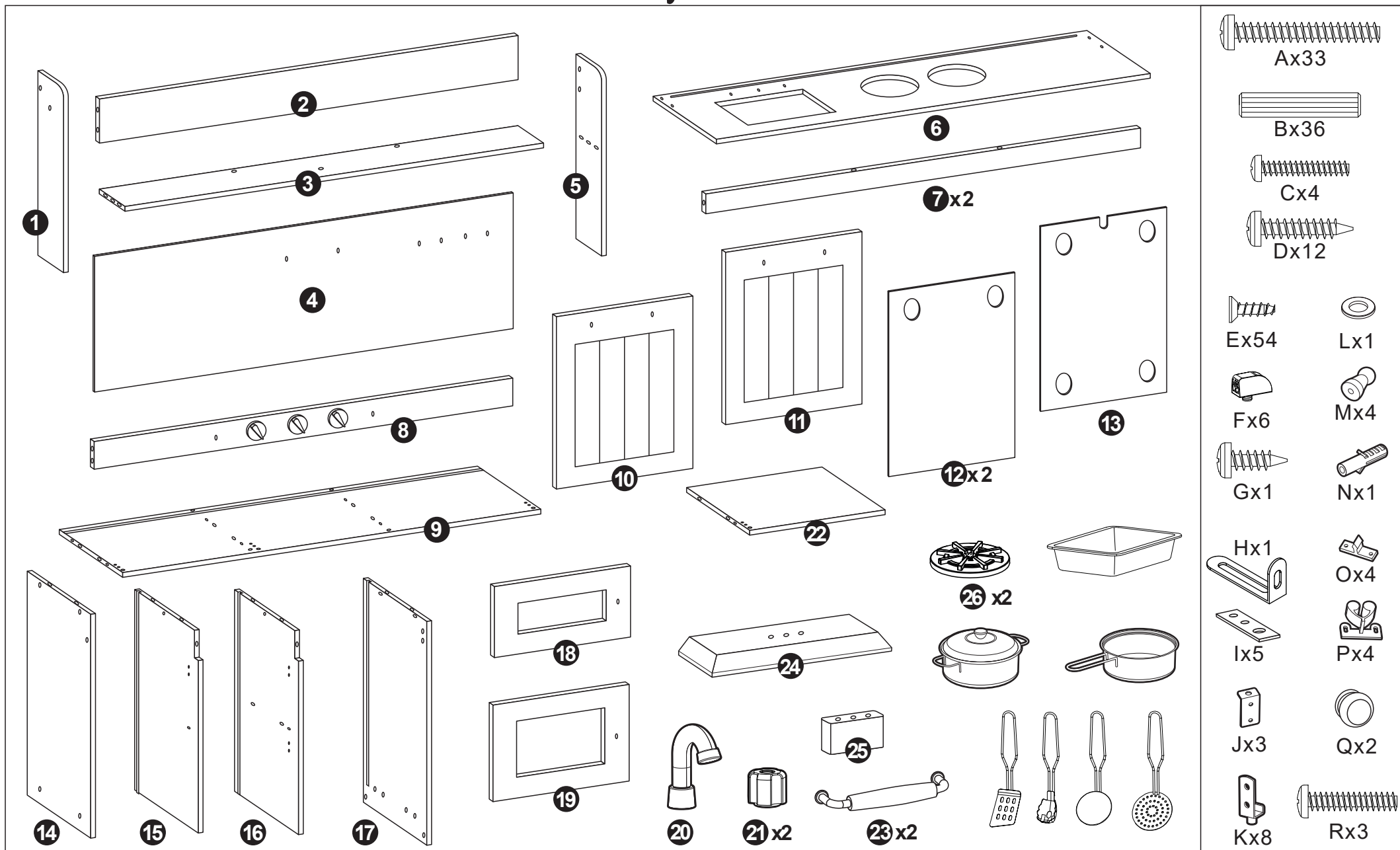


Assembly Instructions



⚠ CAUTION:

ADULT ASSEMBLY IS REQUIRED. HARDWARE CONTAINS SCREWS WITH SHARP POINTS. KEEP UNASSEMBLED PARTS OUT OF THE REACH OF SMALL CHILDREN. ADULT SUPERVISION IS RECOMMENDED.

⚠ WARNING

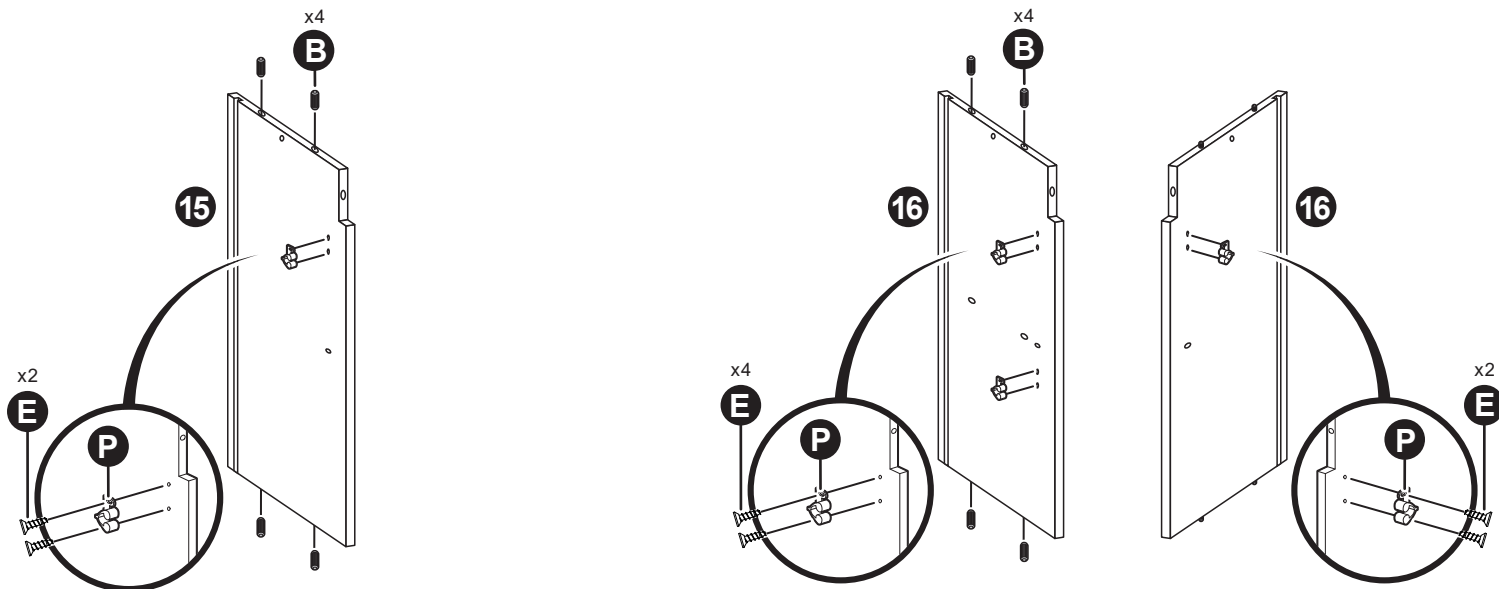
CHOKING HAZARD-SMALL PARTS.
NOT SUITABLE FOR CHILDREN UNDER 3 YEARS.

WARNING: BATTERIES ARE TO BE INSERTED WITH THE CORRECT POLARITY (+ and -). DO NOT MIX DIFFERENT TYPES OF BATTERIES OR NEW AND USED BATTERIES. NON-RECHARGEABLE BATTERIES ARE NOT TO BE RECHARGED. RECHARGEABLE BATTERIES ARE ONLY TO BE CHARGED BY AN ADULT. RECHARGEABLE BATTERIES ARE TO BE REMOVED FROM THE TOY BEFORE BEING CHARGED. THE SUPPLY TERMINALS ARE NOT TO BE SHORT-CIRCUITED. REMOVE BATTERIES FROM THE TOY WHEN NOT IN USE FOR EXTENDED TIME OR WHEN BATTERIES BECOME EXHAUSTED. BATTERY INSTALLATION BY AN ADULT IS REQUIRED. DISPOSE OF BATTERIES RESPONSIBLY. DO NOT DISPOSE OF IN FIRE.

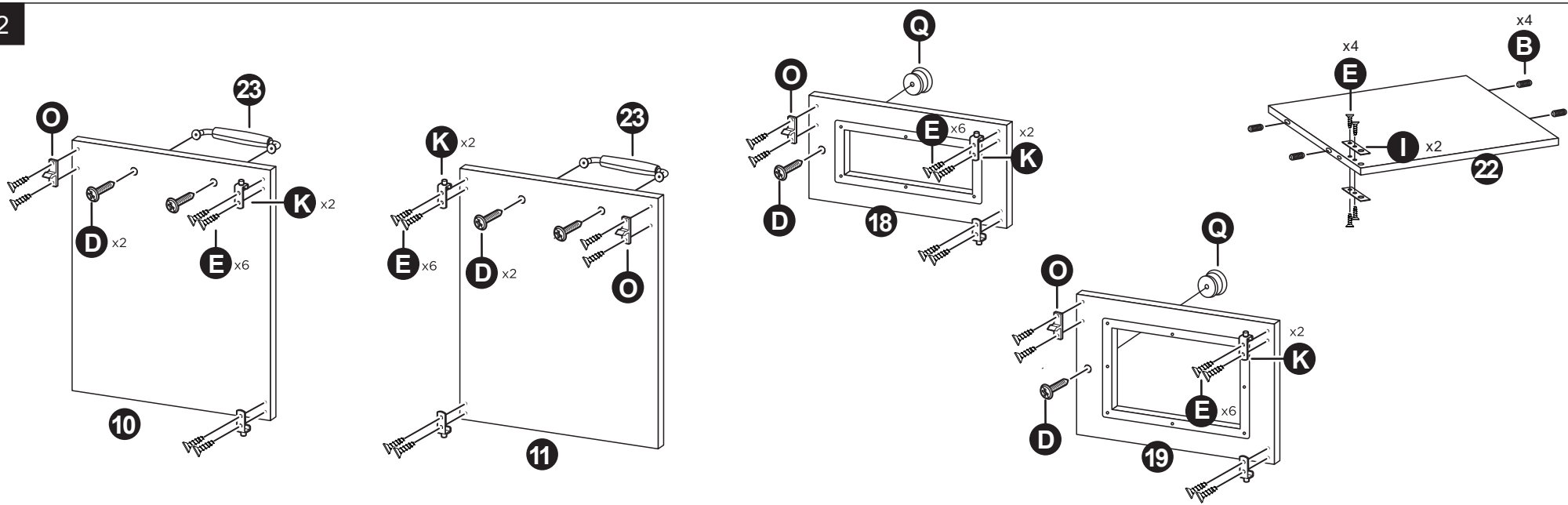
WARNING: PLEASE SECURE THIS PRODUCT WITH THE SUPPLIED WALL FIXING. IT IS STRONGLY RECOMMENDED THAT THIS PRODUCT IS PERMANENTLY FIXED TO THE WALL.

Assembly Instructions

1



2



CAUTION:

ADULT ASSEMBLY IS REQUIRED. HARDWARE CONTAINS SCREWS WITH SHARP POINTS. KEEP UNASSEMBLED PARTS OUT OF THE REACH OF SMALL CHILDREN. ADULT SUPERVISION IS RECOMMENDED.



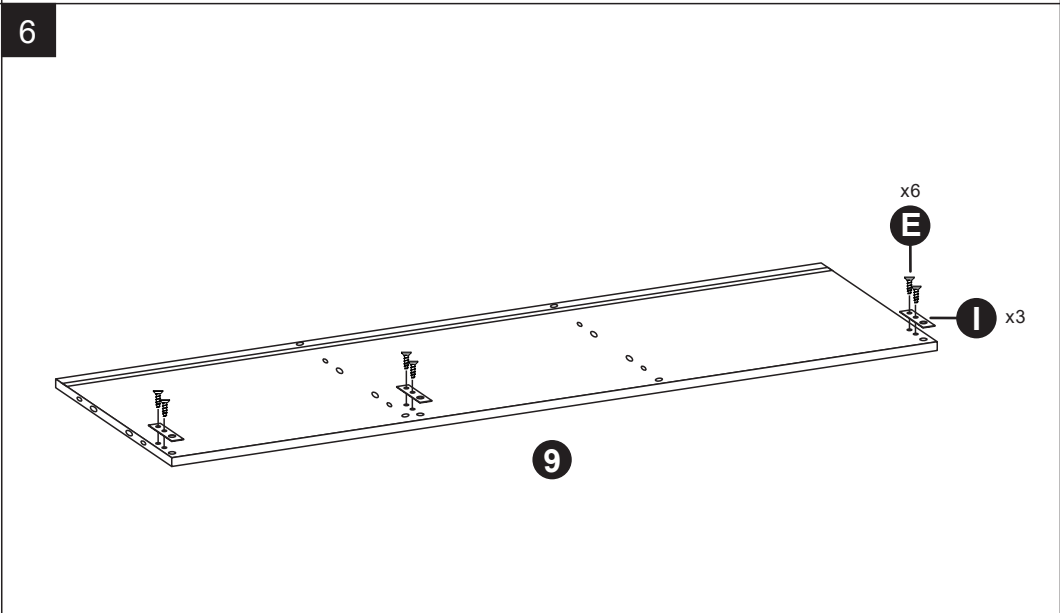
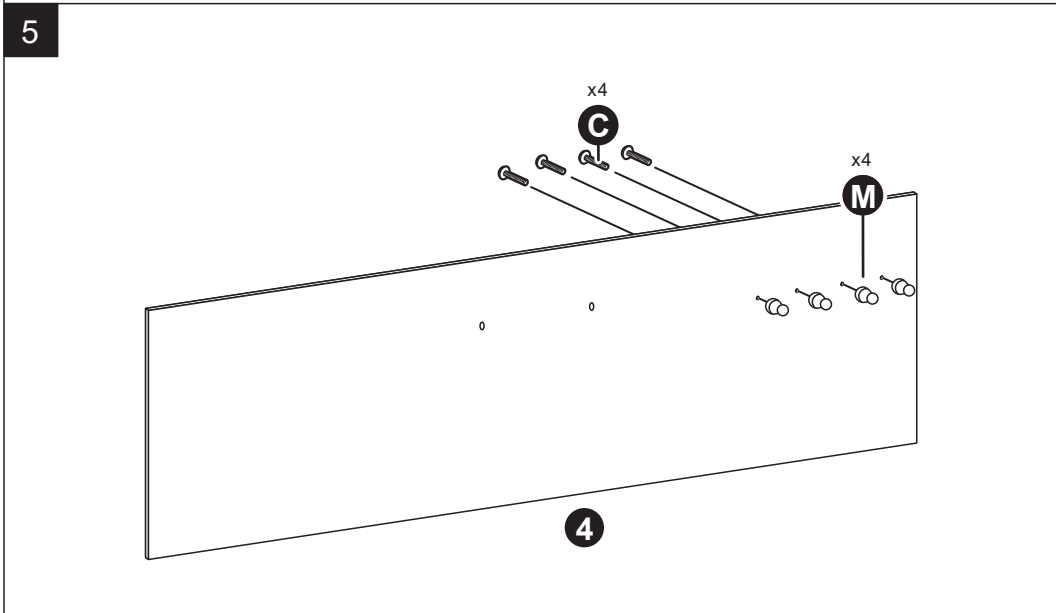
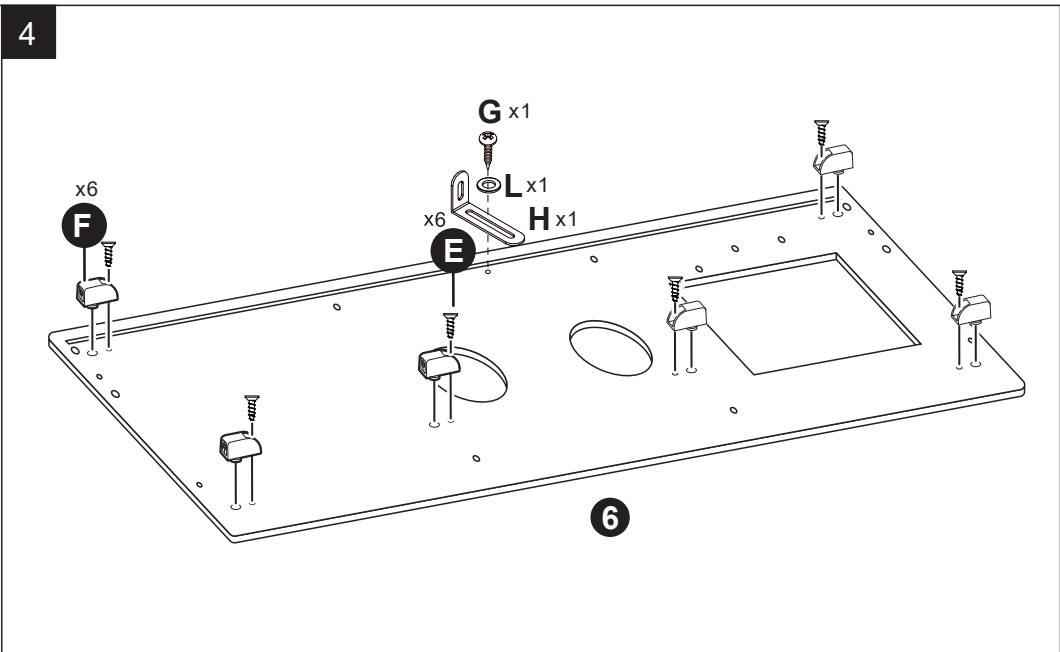
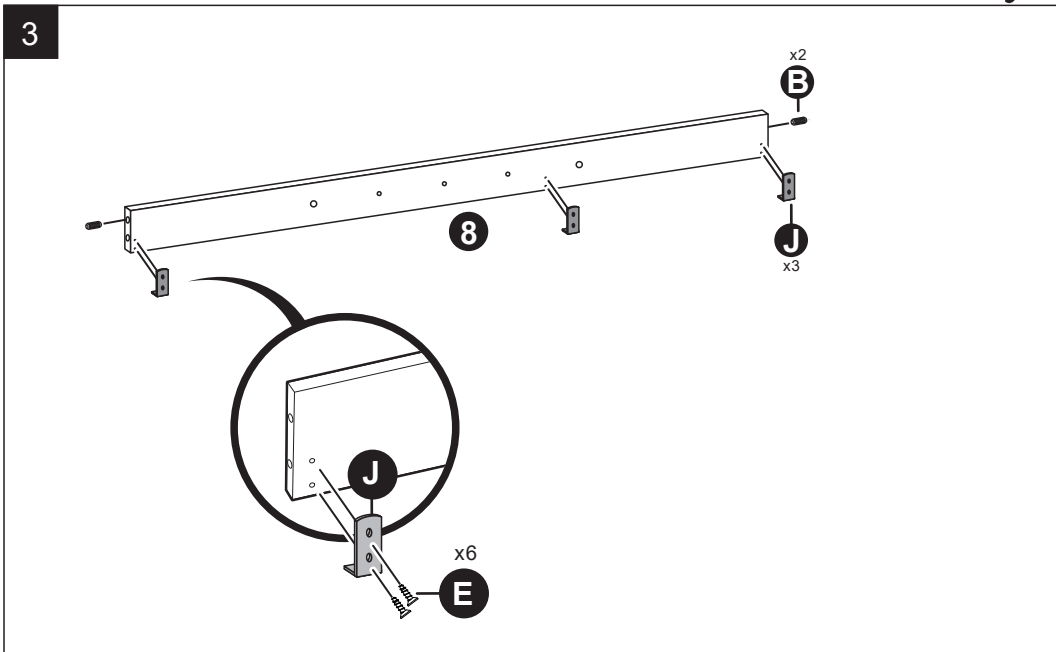
WARNING

CHOKING HAZARD-SMALL PARTS.
NOT SUITABLE FOR CHILDREN UNDER 3 YEARS.

WARNING: BATTERIES ARE TO BE INSERTED WITH THE CORRECT POLARITY (+ and -). DO NOT MIX DIFFERENT TYPES OF BATTERIES OR NEW AND USED BATTERIES. NON-RECHARGEABLE BATTERIES ARE NOT TO BE RECHARGED. RECHARGEABLE BATTERIES ARE ONLY TO BE CHARGED BY AN ADULT. RECHARGEABLE BATTERIES ARE TO BE REMOVED FROM THE TOY BEFORE BEING CHARGED. THE SUPPLY TERMINALS ARE NOT TO BE SHORT-CIRCUITED. REMOVE BATTERIES FROM THE TOY WHEN NOT IN USE FOR EXTENDED TIME OR WHEN BATTERIES BECOME EXHAUSTED. BATTERY INSTALLATION BY AN ADULT IS REQUIRED. DISPOSE OF BATTERIES RESPONSIBLY. DO NOT DISPOSE OF IN FIRE.

WARNING: PLEASE SECURE THIS PRODUCT WITH THE SUPPLIED WALL FIXING. IT IS STRONGLY RECOMMENDED THAT THIS PRODUCT IS PERMANENTLY FIXED TO THE WALL.

Assembly Instructions



CAUTION:

ADULT ASSEMBLY IS REQUIRED. HARDWARE CONTAINS SCREWS WITH SHARP POINTS. KEEP UNASSEMBLED PARTS OUT OF THE REACH OF SMALL CHILDREN. ADULT SUPERVISION IS RECOMMENDED.



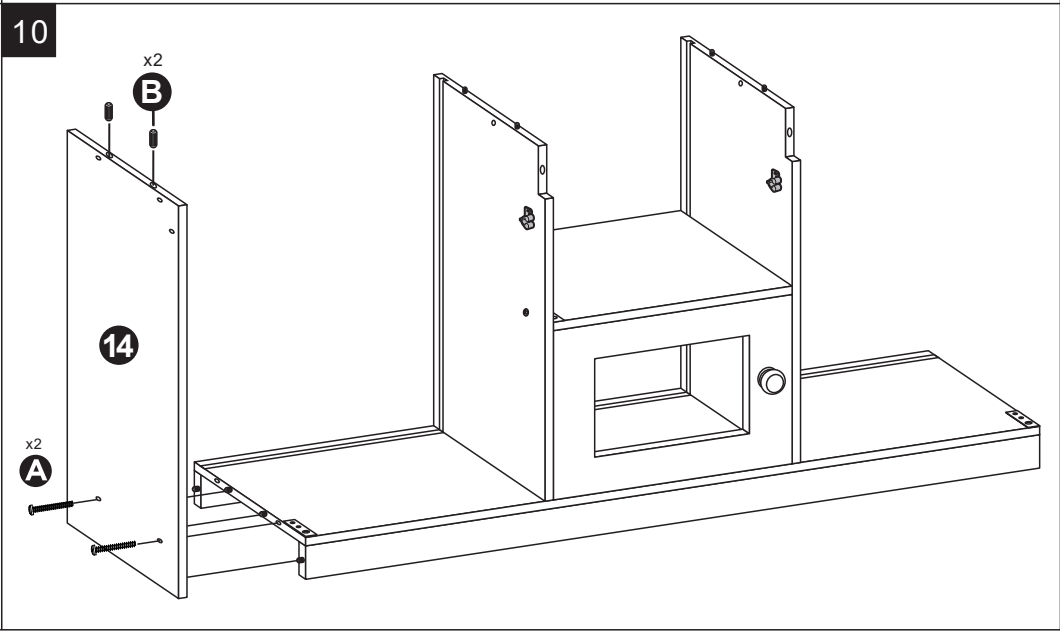
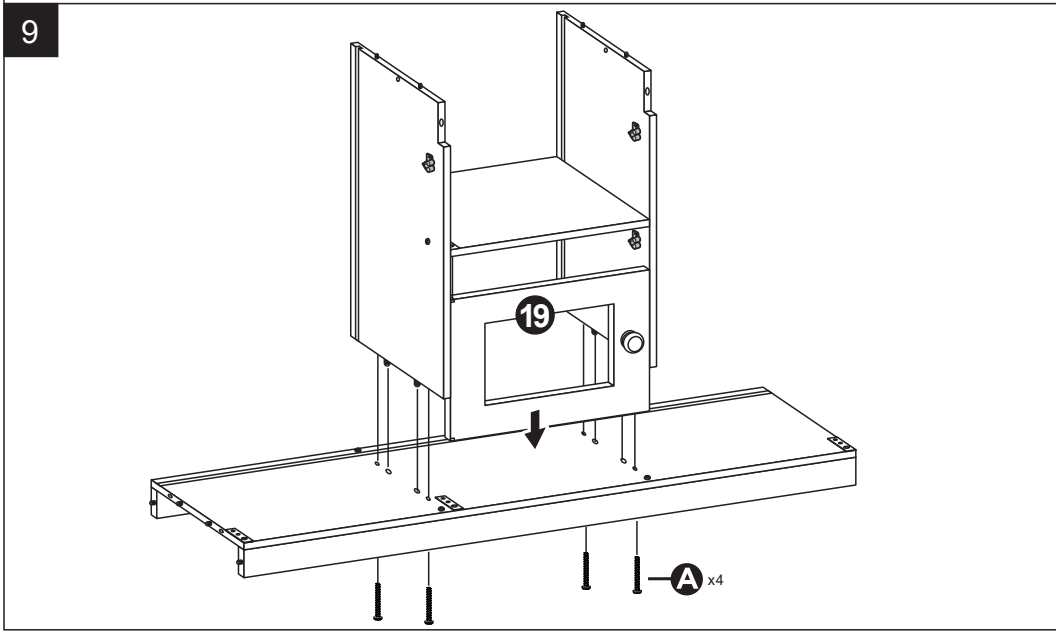
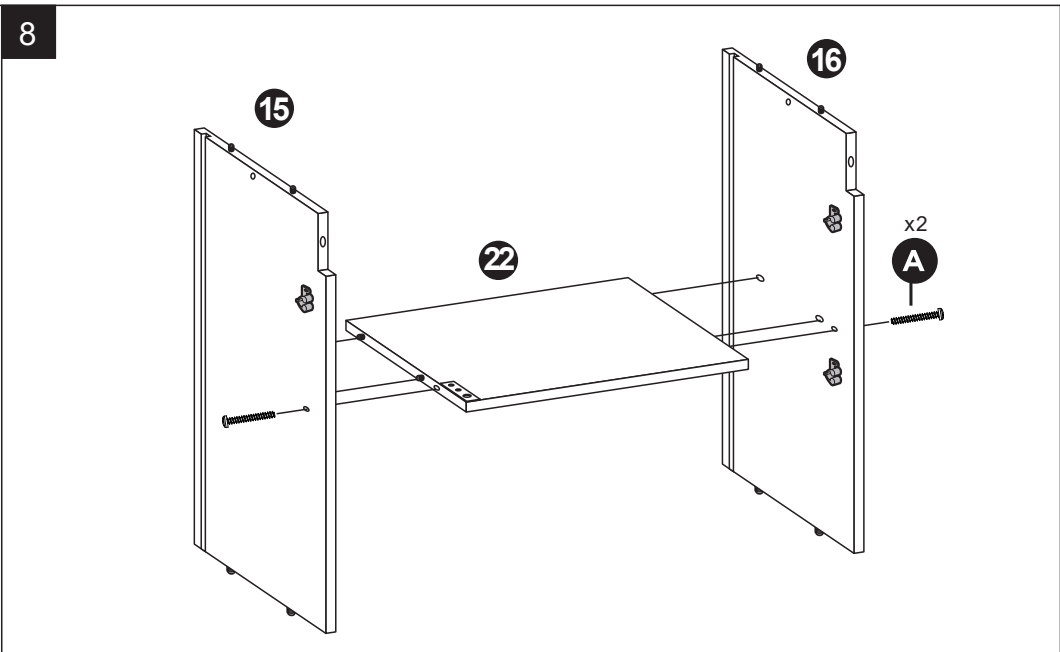
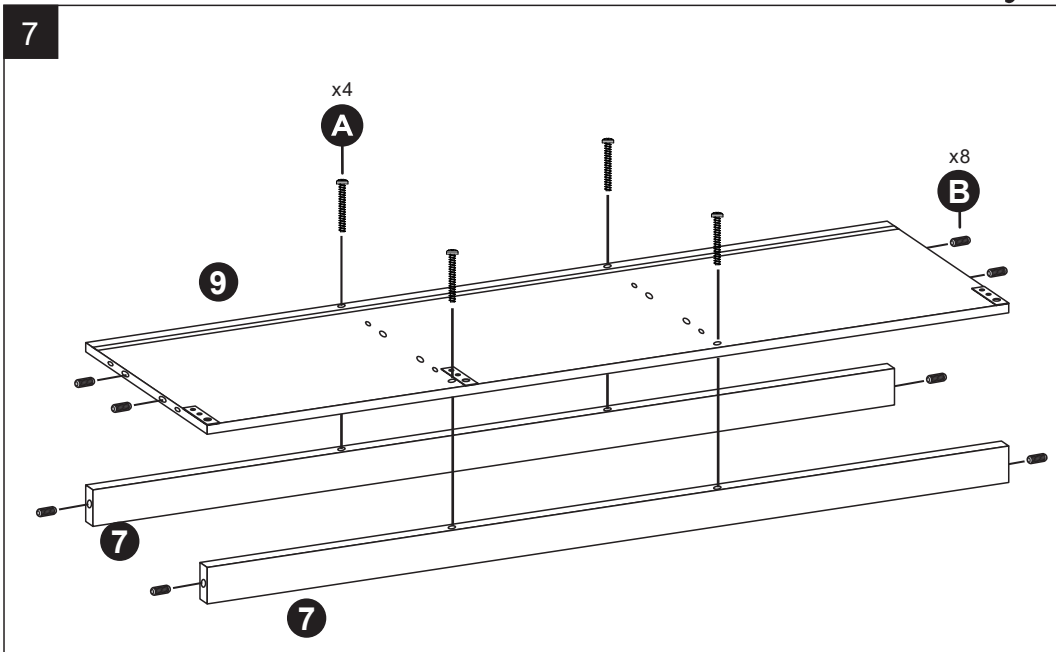
WARNING

CHOKING HAZARD-SMALL PARTS.
NOT SUITABLE FOR CHILDREN UNDER 3 YEARS.

WARNING: BATTERIES ARE TO BE INSERTED WITH THE CORRECT POLARITY (+ and -). DO NOT MIX DIFFERENT TYPES OF BATTERIES OR NEW AND USED BATTERIES. NON-RECHARGEABLE BATTERIES ARE NOT TO BE RECHARGED. RECHARGEABLE BATTERIES ARE ONLY TO BE CHARGED BY AN ADULT. RECHARGEABLE BATTERIES ARE TO BE REMOVED FROM THE TOY BEFORE BEING CHARGED. THE SUPPLY TERMINALS ARE NOT TO BE SHORT-CIRCUITED. REMOVE BATTERIES FROM THE TOY WHEN NOT IN USE FOR EXTENDED TIME OR WHEN BATTERIES BECOME EXHAUSTED. BATTERY INSTALLATION BY AN ADULT IS REQUIRED. DISPOSE OF BATTERIES RESPONSIBLY. DO NOT DISPOSE OF IN FIRE.

WARNING: PLEASE SECURE THIS PRODUCT WITH THE SUPPLIED WALL FIXING. IT IS STRONGLY RECOMMENDED THAT THIS PRODUCT IS PERMANENTLY FIXED TO THE WALL.

Assembly Instructions



CAUTION:

ADULT ASSEMBLY IS REQUIRED. HARDWARE CONTAINS SCREWS WITH SHARP POINTS. KEEP UNASSEMBLED PARTS OUT OF THE REACH OF SMALL CHILDREN. ADULT SUPERVISION IS RECOMMENDED.

WARNING

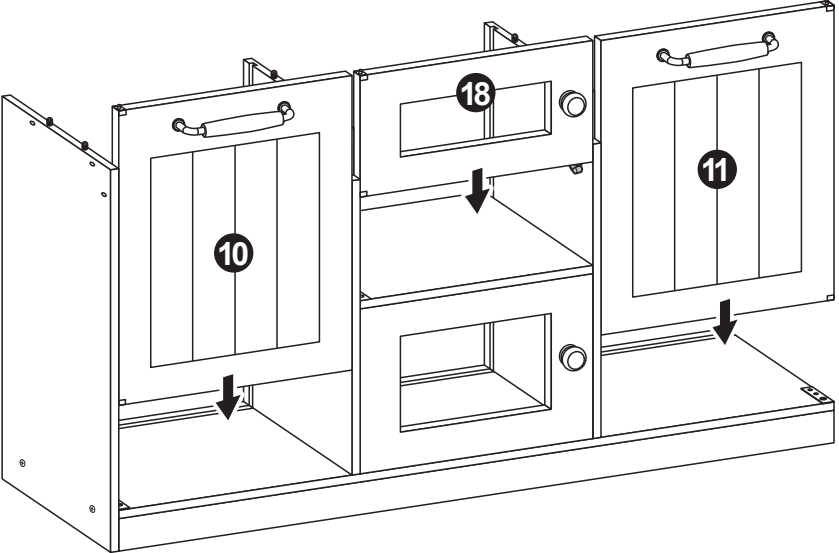
CHOKING HAZARD-SMALL PARTS. NOT SUITABLE FOR CHILDREN UNDER 3 YEARS.

WARNING: BATTERIES ARE TO BE INSERTED WITH THE CORRECT POLARITY (+ and -). DO NOT MIX DIFFERENT TYPES OF BATTERIES OR NEW AND USED BATTERIES. NON-RECHARGEABLE BATTERIES ARE NOT TO BE RECHARGED. RECHARGEABLE BATTERIES ARE ONLY TO BE CHARGED BY AN ADULT. RECHARGEABLE BATTERIES ARE TO BE REMOVED FROM THE TOY BEFORE BEING CHARGED. THE SUPPLY TERMINALS ARE NOT TO BE SHORT-CIRCUITED. REMOVE BATTERIES FROM THE TOY WHEN NOT IN USE FOR EXTENDED TIME OR WHEN BATTERIES BECOME EXHAUSTED. BATTERY INSTALLATION BY AN ADULT IS REQUIRED. DISPOSE OF BATTERIES RESPONSIBLY. DO NOT DISPOSE OF IN FIRE.

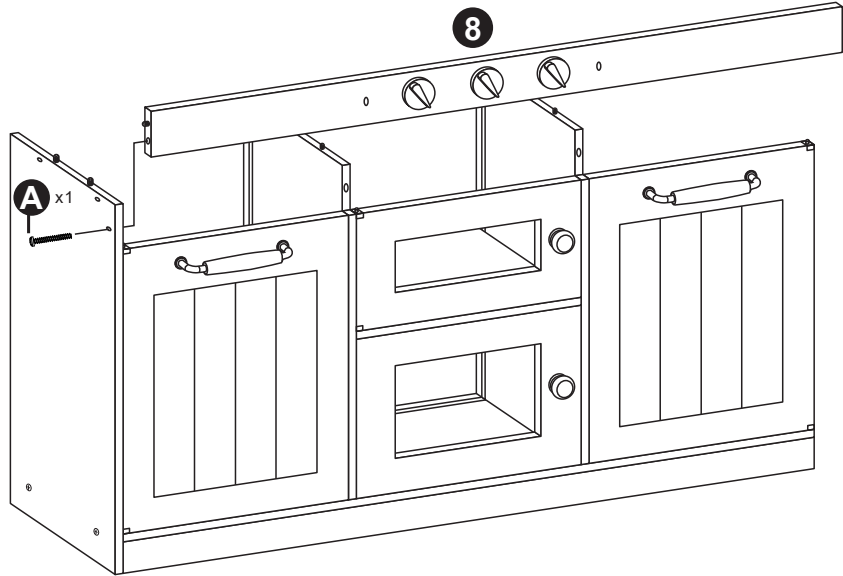
WARNING: PLEASE SECURE THIS PRODUCT WITH THE SUPPLIED WALL FIXING. IT IS STRONGLY RECOMMENDED THAT THIS PRODUCT IS PERMANENTLY FIXED TO THE WALL.

Assembly Instructions

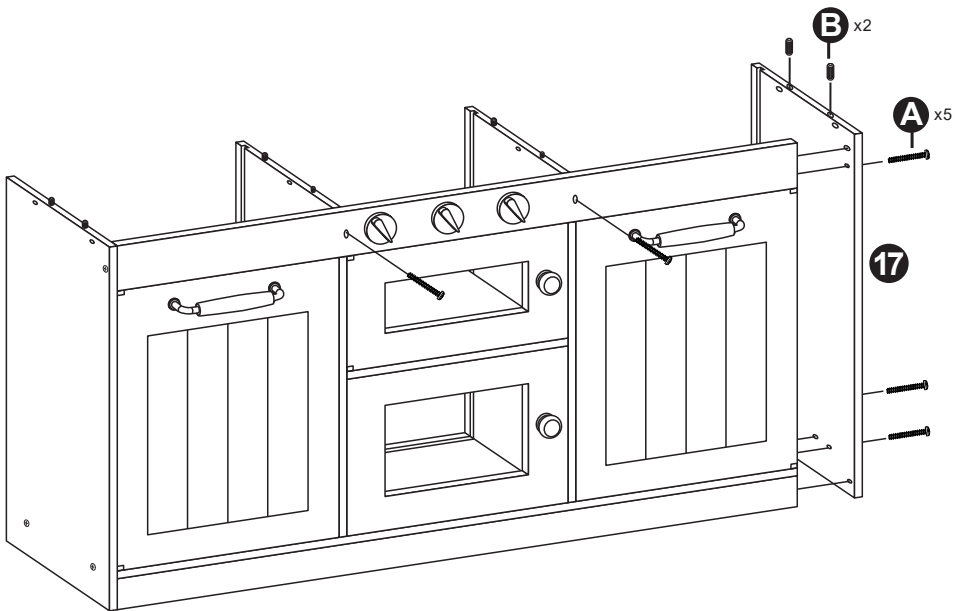
11



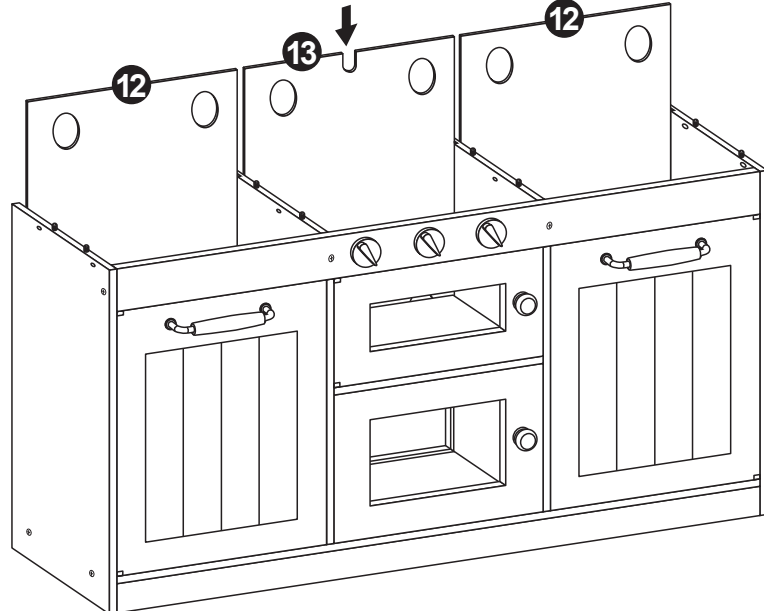
12



13



14



CAUTION:

ADULT ASSEMBLY IS REQUIRED. HARDWARE CONTAINS SCREWS WITH SHARP POINTS. KEEP UNASSEMBLED PARTS OUT OF THE REACH OF SMALL CHILDREN. ADULT SUPERVISION IS RECOMMENDED.

WARNING

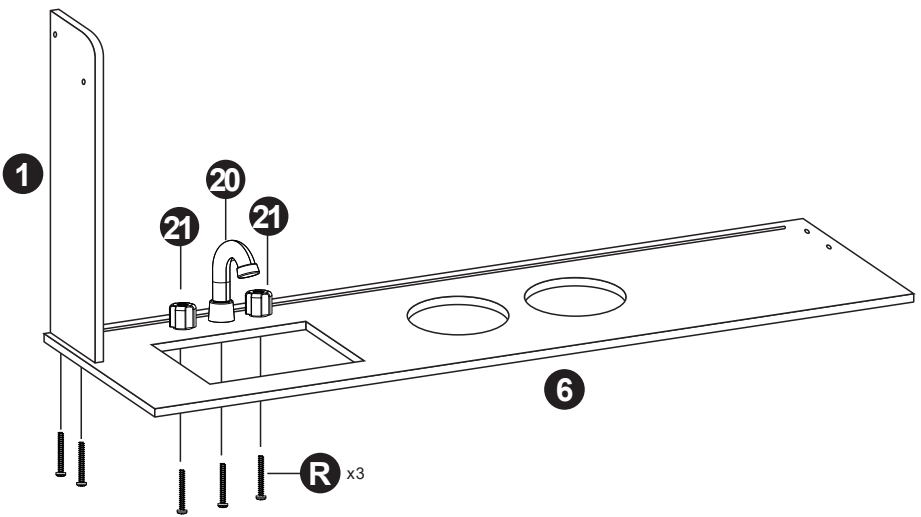
CHOKING HAZARD-SMALL PARTS.
NOT SUITABLE FOR CHILDREN UNDER 3 YEARS.

WARNING: BATTERIES ARE TO BE INSERTED WITH THE CORRECT POLARITY (+ and -). DO NOT MIX DIFFERENT TYPES OF BATTERIES OR NEW AND USED BATTERIES. NON-RECHARGEABLE BATTERIES ARE NOT TO BE RECHARGED. RECHARGEABLE BATTERIES ARE ONLY TO BE CHARGED BY AN ADULT. RECHARGEABLE BATTERIES ARE TO BE REMOVED FROM THE TOY BEFORE BEING CHARGED. THE SUPPLY TERMINALS ARE NOT TO BE SHORT-CIRCUITED. REMOVE BATTERIES FROM THE TOY WHEN NOT IN USE FOR EXTENDED TIME OR WHEN BATTERIES BECOME EXHAUSTED. BATTERY INSTALLATION BY AN ADULT IS REQUIRED. DISPOSE OF BATTERIES RESPONSIBLY. DO NOT DISPOSE OF IN FIRE.

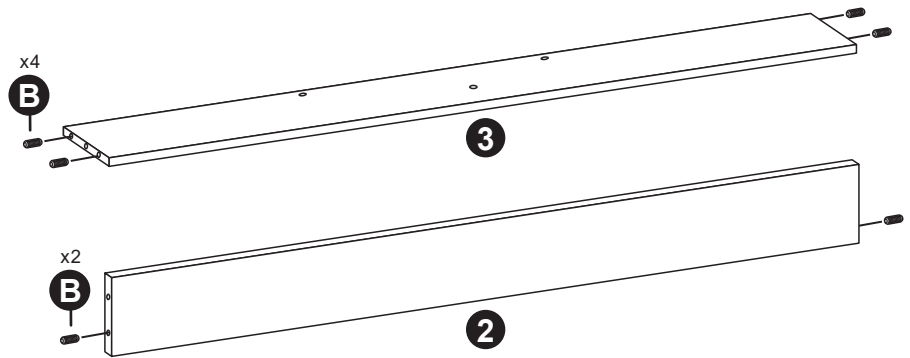
WARNING: PLEASE SECURE THIS PRODUCT WITH THE SUPPLIED WALL FIXING. IT IS STRONGLY RECOMMENDED THAT THIS PRODUCT IS PERMANENTLY FIXED TO THE WALL.

Assembly Instructions

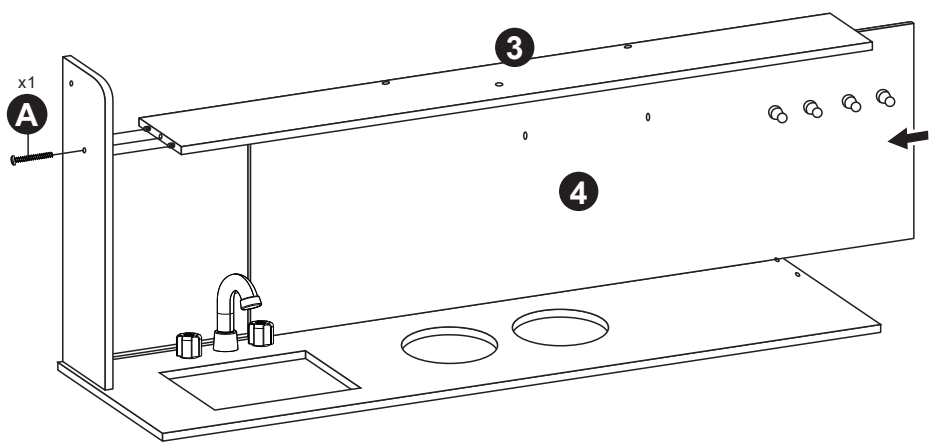
15



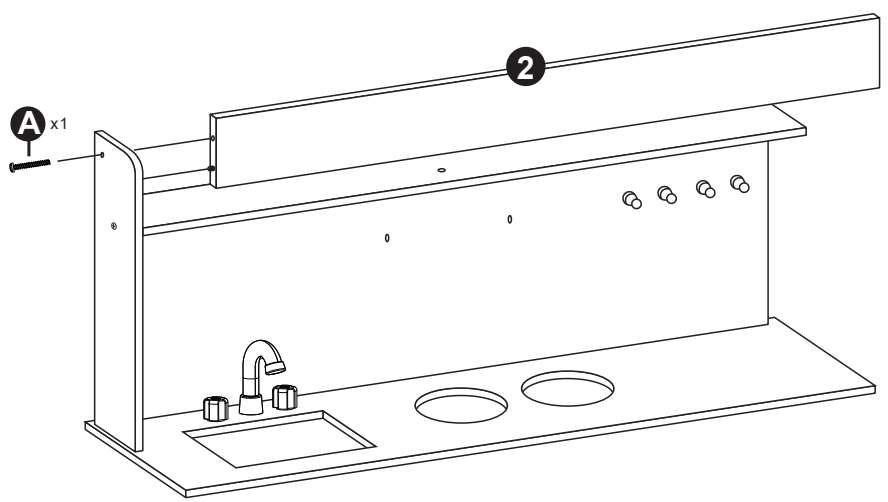
16



17



18



CAUTION:

ADULT ASSEMBLY IS REQUIRED. HARDWARE CONTAINS SCREWS WITH SHARP POINTS. KEEP UNASSEMBLED PARTS OUT OF THE REACH OF SMALL CHILDREN. ADULT SUPERVISION IS RECOMMENDED.

WARNING

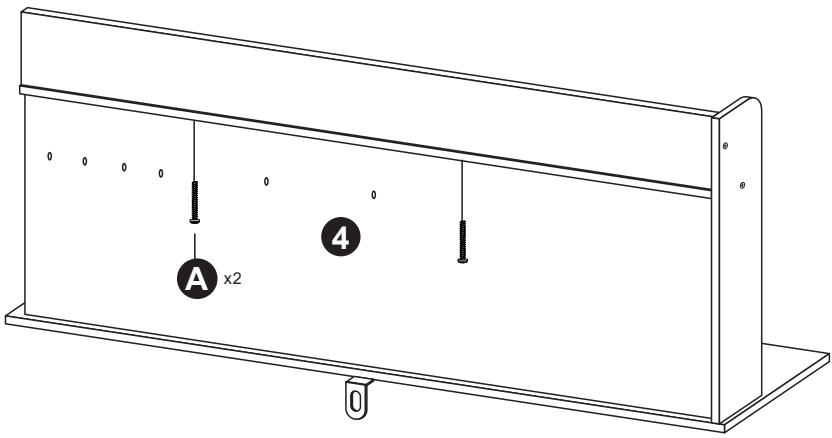
CHOKING HAZARD-SMALL PARTS. NOT SUITABLE FOR CHILDREN UNDER 3 YEARS.

WARNING: BATTERIES ARE TO BE INSERTED WITH THE CORRECT POLARITY (+ and -). DO NOT MIX DIFFERENT TYPES OF BATTERIES OR NEW AND USED BATTERIES. NON-RECHARGEABLE BATTERIES ARE NOT TO BE RECHARGED. RECHARGEABLE BATTERIES ARE ONLY TO BE CHARGED BY AN ADULT. RECHARGEABLE BATTERIES ARE TO BE REMOVED FROM THE TOY BEFORE BEING CHARGED. THE SUPPLY TERMINALS ARE NOT TO BE SHORT-CIRCUITED. REMOVE BATTERIES FROM THE TOY WHEN NOT IN USE FOR EXTENDED TIME OR WHEN BATTERIES BECOME EXHAUSTED. BATTERY INSTALLATION BY AN ADULT IS REQUIRED. DISPOSE OF BATTERIES RESPONSIBLY. DO NOT DISPOSE OF IN FIRE.

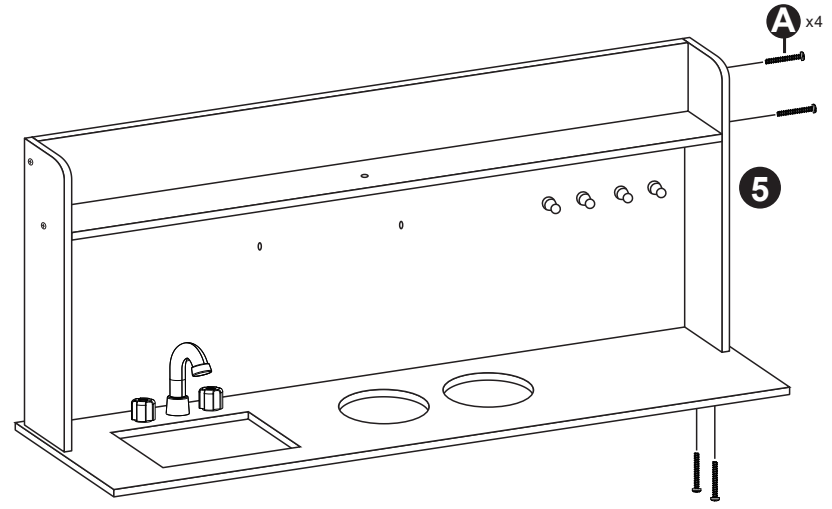
WARNING: PLEASE SECURE THIS PRODUCT WITH THE SUPPLIED WALL FIXING. IT IS STRONGLY RECOMMENDED THAT THIS PRODUCT IS PERMANENTLY FIXED TO THE WALL.

Assembly Instructions

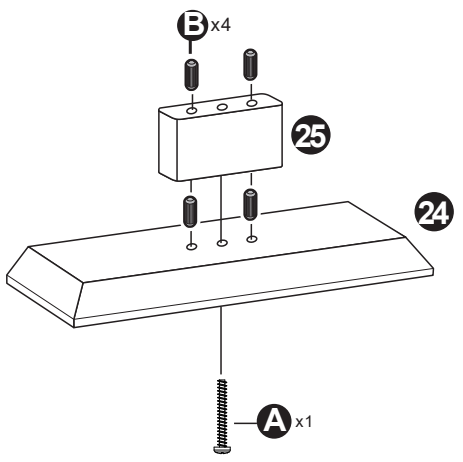
19



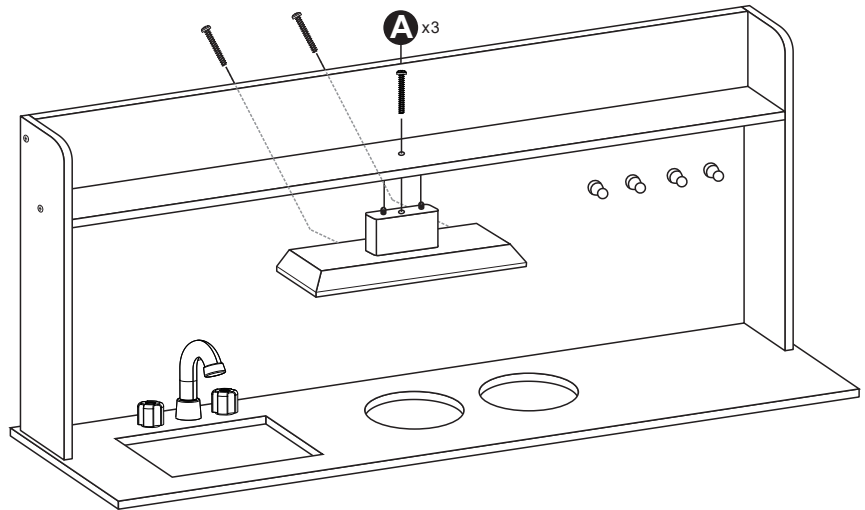
20



21



22



CAUTION:

ADULT ASSEMBLY IS REQUIRED. HARDWARE CONTAINS SCREWS WITH SHARP POINTS. KEEP UNASSEMBLED PARTS OUT OF THE REACH OF SMALL CHILDREN. ADULT SUPERVISION IS RECOMMENDED.

WARNING

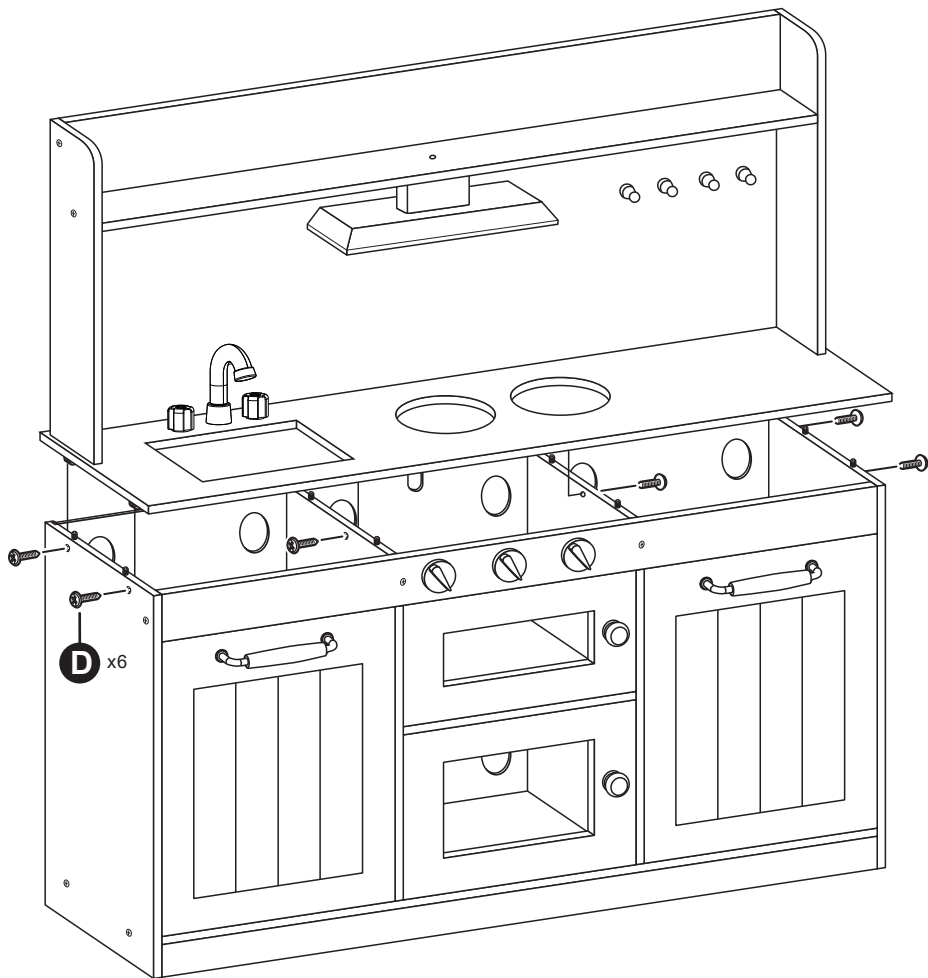
CHOKING HAZARD-SMALL PARTS. NOT SUITABLE FOR CHILDREN UNDER 3 YEARS.

WARNING: BATTERIES ARE TO BE INSERTED WITH THE CORRECT POLARITY (+ and -). DO NOT MIX DIFFERENT TYPES OF BATTERIES OR NEW AND USED BATTERIES. NON-RECHARGEABLE BATTERIES ARE NOT TO BE RECHARGED. RECHARGEABLE BATTERIES ARE ONLY TO BE CHARGED BY AN ADULT. RECHARGEABLE BATTERIES ARE TO BE REMOVED FROM THE TOY BEFORE BEING CHARGED. THE SUPPLY TERMINALS ARE NOT TO BE SHORT-CIRCUITED. REMOVE BATTERIES FROM THE TOY WHEN NOT IN USE FOR EXTENDED TIME OR WHEN BATTERIES BECOME EXHAUSTED. BATTERY INSTALLATION BY AN ADULT IS REQUIRED. DISPOSE OF BATTERIES RESPONSIBLY. DO NOT DISPOSE OF IN FIRE.

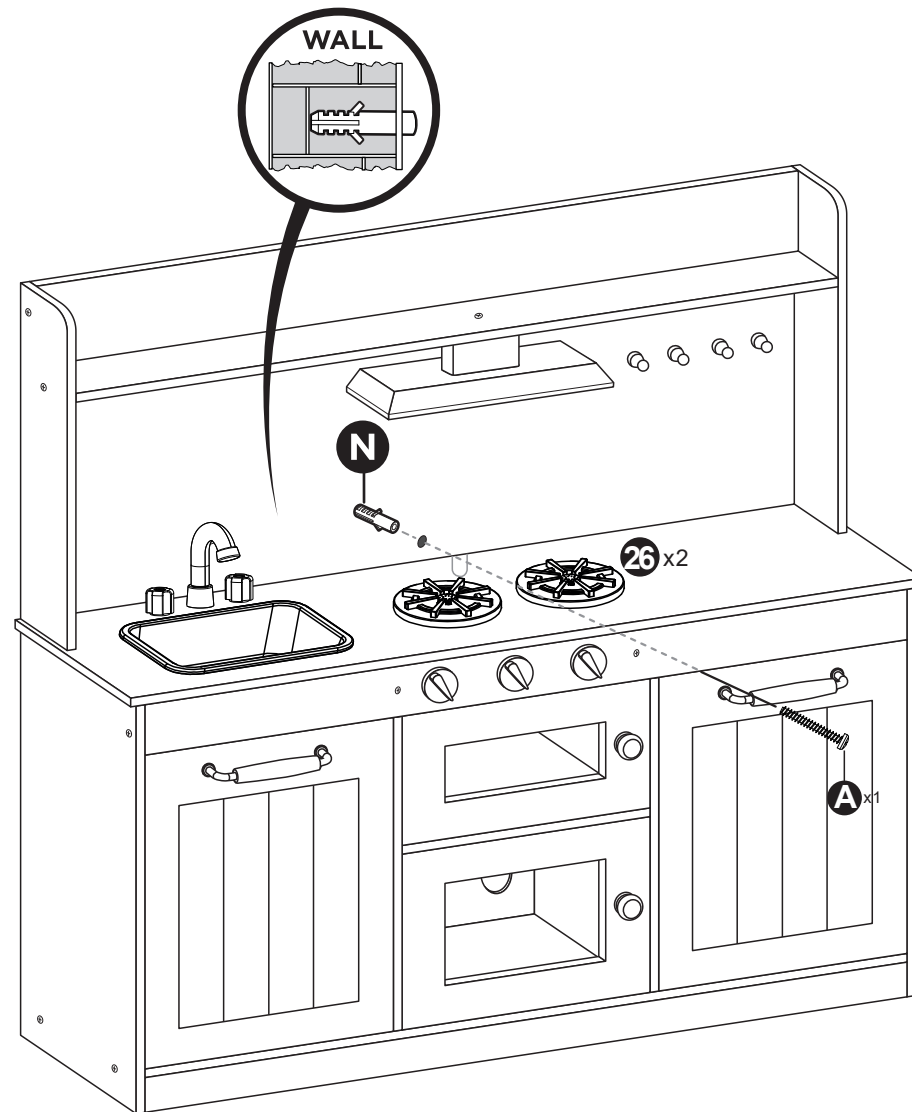
WARNING: PLEASE SECURE THIS PRODUCT WITH THE SUPPLIED WALL FIXING. IT IS STRONGLY RECOMMENDED THAT THIS PRODUCT IS PERMANENTLY FIXED TO THE WALL.

Assembly Instructions

23



24



CAUTION:

ADULT ASSEMBLY IS REQUIRED. HARDWARE CONTAINS SCREWS WITH SHARP POINTS. KEEP UNASSEMBLED PARTS OUT OF THE REACH OF SMALL CHILDREN. ADULT SUPERVISION IS RECOMMENDED.

WARNING

CHOKING HAZARD-SMALL PARTS.
NOT SUITABLE FOR CHILDREN UNDER 3 YEARS.

WARNING: BATTERIES ARE TO BE INSERTED WITH THE CORRECT POLARITY (+ and -). DO NOT MIX DIFFERENT TYPES OF BATTERIES OR NEW AND USED BATTERIES. NON-RECHARGEABLE BATTERIES ARE NOT TO BE RECHARGED. RECHARGEABLE BATTERIES ARE ONLY TO BE CHARGED BY AN ADULT. RECHARGEABLE BATTERIES ARE TO BE REMOVED FROM THE TOY BEFORE BEING CHARGED. THE SUPPLY TERMINALS ARE NOT TO BE SHORT-CIRCUITED. REMOVE BATTERIES FROM THE TOY WHEN NOT IN USE FOR EXTENDED TIME OR WHEN BATTERIES BECOME EXHAUSTED. BATTERY INSTALLATION BY AN ADULT IS REQUIRED. DISPOSE OF BATTERIES RESPONSIBLY. DO NOT DISPOSE OF IN FIRE.

WARNING: PLEASE SECURE THIS PRODUCT WITH THE SUPPLIED WALL FIXING. IT IS STRONGLY RECOMMENDED THAT THIS PRODUCT IS PERMANENTLY FIXED TO THE WALL.