

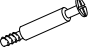





# Assembly Instructions

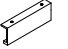
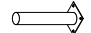



## 43219377 ALFIE BEDSIDE TABLE OO

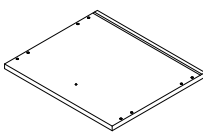
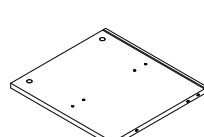
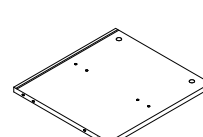
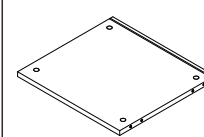
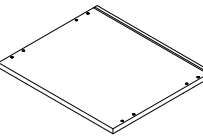
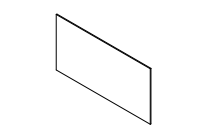
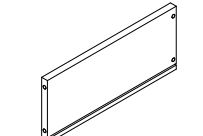
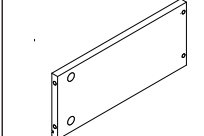
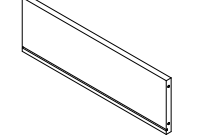
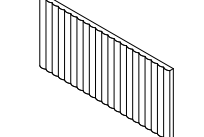
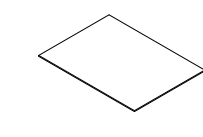
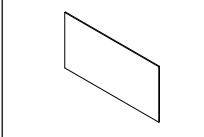
**CARE INSTRUCTIONS:** WIPE CLEAN WITH A SOFT CLOTH. NEVER USE SCOURERS, ABRASIVES OR CHEMICAL SOLVENTS. KEEP AWAY FROM MOISTURE AND DIRECT SUNLIGHT. STORE IN A DRY PLACE FOR INDOOR USE ONLY.

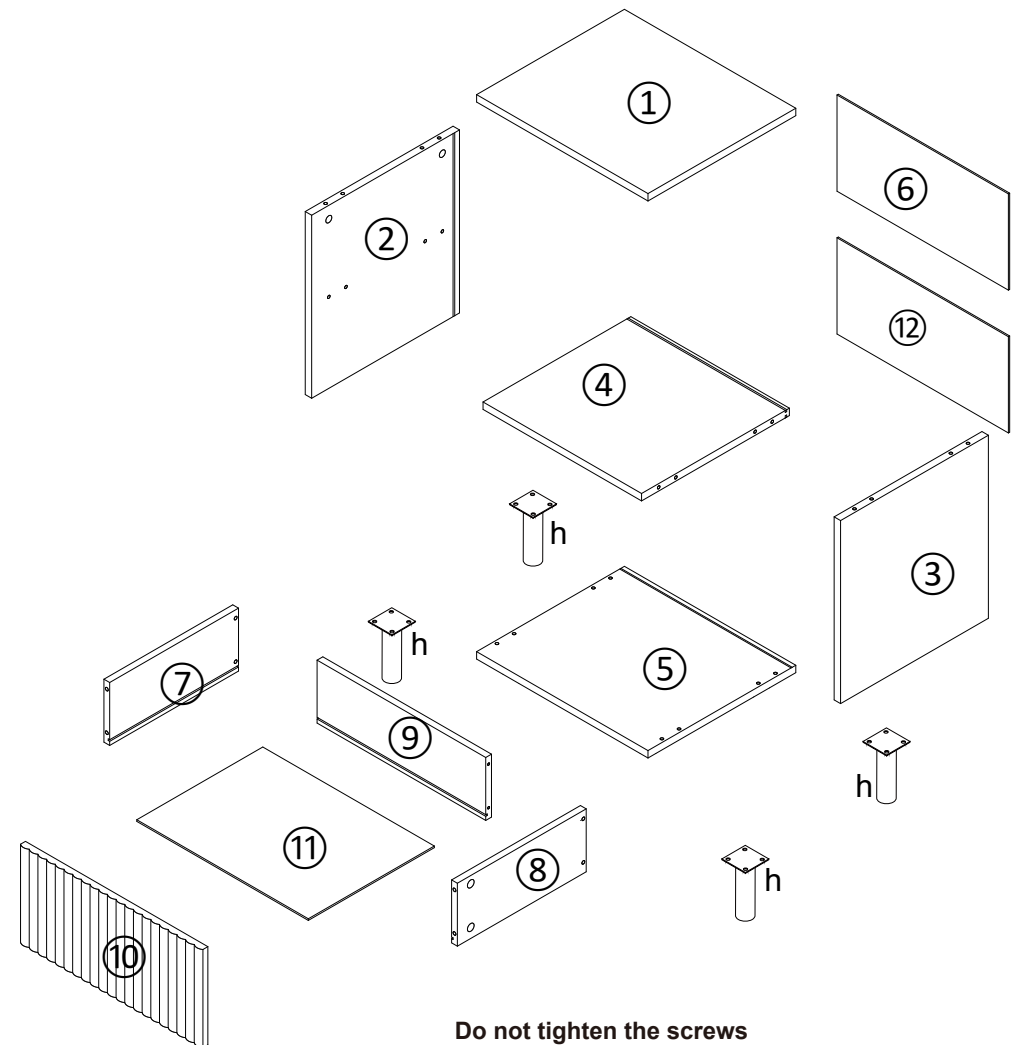
**WARNING:** DO NOT STAND, SIT OR LEAN ON THE UNIT. DO NOT USE THIS UNIT AS A STEP LADDER. ENSURE THIS UNIT IS USED ONLY ON A FLAT SURFACE. DO NOT USE THIS UNIT UNLESS ALL BOLTS AND SCREWS ARE FIRMLY SECURED. DO NOT PLACE HOT OBJECTS SUCH AS COFFEE CUPS DIRECTLY ON THE SURFACE OF THIS FURNITURE ITEM. THIS ITEM IS FOR STORAGE PURPOSE ONLY. CONTAINS SMALL PARTS. IT IS TO BE ASSEMBLED BY AN ADULT. FAILURE TO FOLLOW THESE WARNINGS COULD RESULT IN SERIOUS INJURY.

**MAXIMUM SAFE LOAD: TOP 10KGS,SHELF 5KGS,DRAWER 5KGS.**

	a	M6x35	12pcs
	b	M15x9	12pcs
	c	M4x12	2pcs
	d	M6x30	12pcs
	e	M4x35	8pcs
	f		1pc

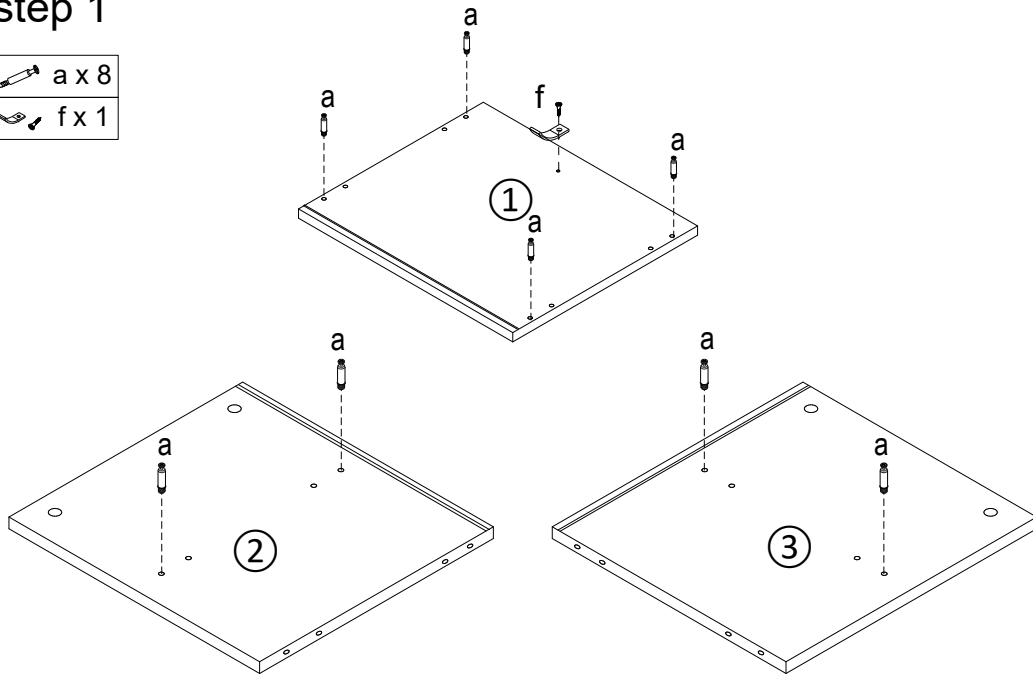
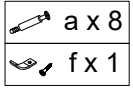
	g		1pcs
	h		4pcs
	i	M4x12	16pcs
	j		6pcs
	k	M3x15	6pcs

			
① 1pc	② 1pc	③ 1pc	④ 1pc
			
⑤ 1pc	⑥ 1pc	⑦ 1pc	⑧ 1pc
			
⑨ 1pc	⑩ 1pc	⑪ 1pc	⑫ 1pc

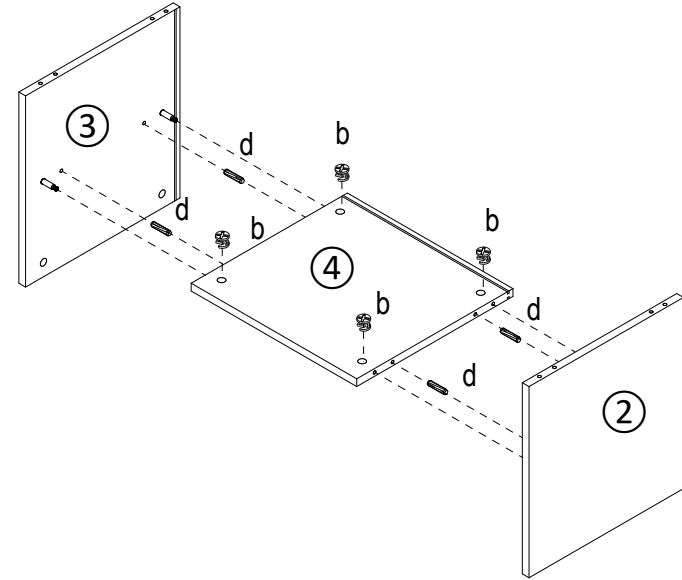
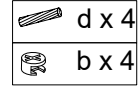


Do not tighten the screws  
Fully tighten screws after the final assembly steps

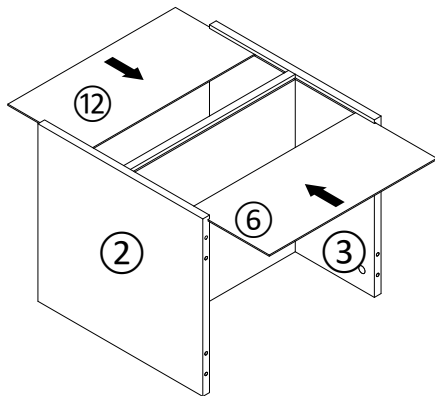
### step 1



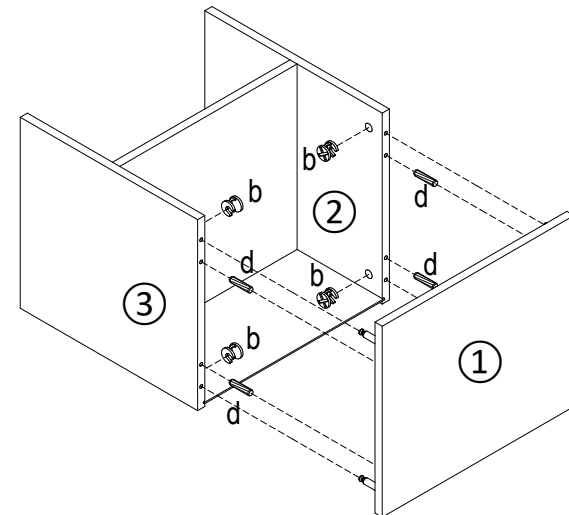
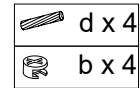
### step 2





### step 3

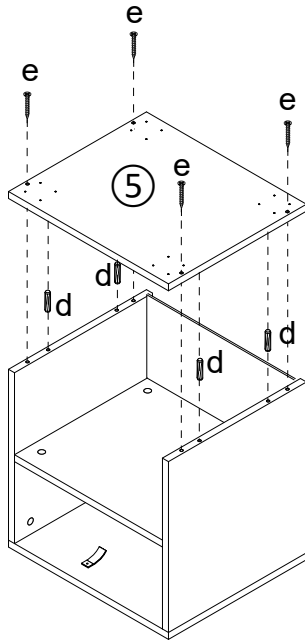


### step 4


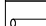


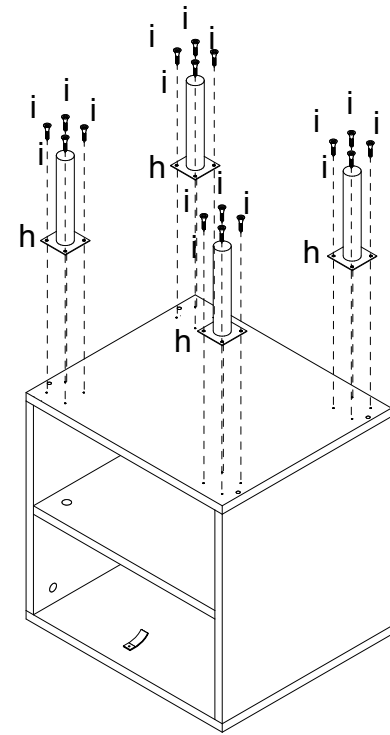
### step 5

-  d x 4
-  e x 4








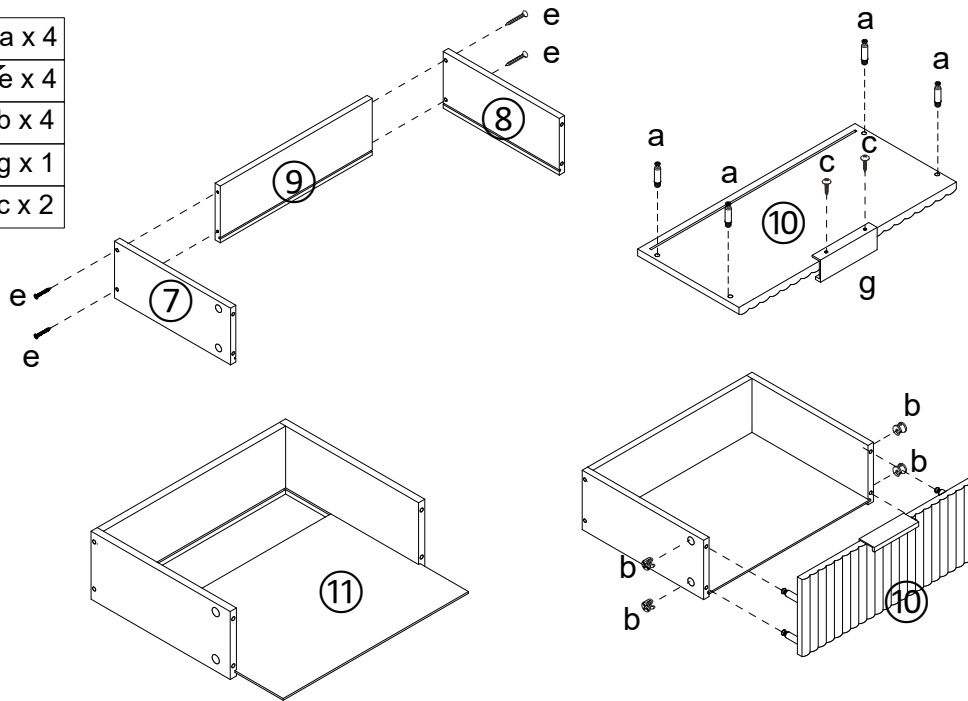
### step 6

-  i x 16
-  h x 4





### step 7

-  a x 4
-  e x 4
-  b x 4
-  g x 1
-  c x 2



### step 8

-  j x 6
-  k x 6

