

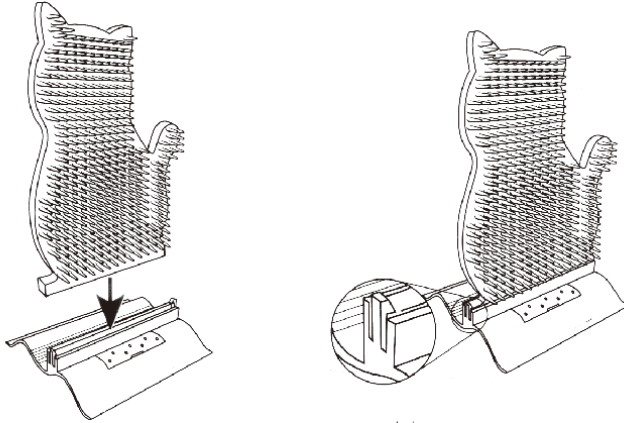
anko

Cat Grooming Pad

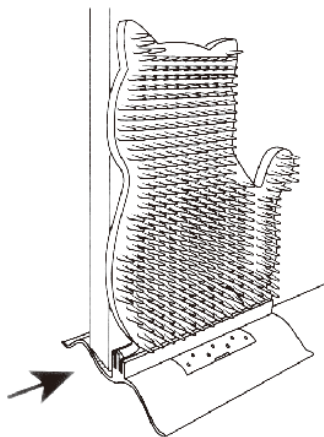


Instructions

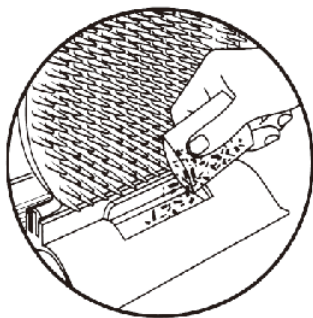
Step 1. Connect the bottom of the cat-shaped grooming pad into the base until it is secure by gently pulling back the plastic tabs. Ensure the bristles are facing towards the perforated door.



Step 2. With the bristles facing away from the door, secure the grooming pad by sliding it underneath any household door.



Optional: Open the front perforated door and shake some catnip (not provided) into the cavity, then re-close.



WARNING:

**For your pet's safety, inspect regularly and remove if damaged.
Always supervise your pet during play.**