

# Assembly Instructions

## 43229062 OWEN WARDROBE HANGING RAIL WITH STORAGE SHELF








**WARNING:** DO NOT STAND, SIT OR LEAN ON THIS UNIT. DO NOT USE THIS UNIT AS A STEP LADDER OR AS A CHOPPING SURFACE. KEEP AWAY FROM CHILDREN AND BABIES. ADULT ASSEMBLY REQUIRED. USE ONLY ON A FLAT SURFACE. ADULT ASSEMBLY REQUIRED. DO NOT USE THIS UNIT UNLESS ALL BOLTS AND SCREWS ARE FIRMLY SECURED.

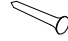





**CARE INSTRUCTIONS:** TO BE ASSEMBLED ON A CLEAN, DRY AND SMOOTH SURFACE. WIPE CLEAN WITH A SOFT DAMP CLOTH. NEVER USE SCOURERS, ABRASIVES OR CHEMICAL SOLVENTS. CHECK AND TIGHTEN ALL PARTS REGULARLY. KEEP AWAY FROM MOISTURE AND DIRECT SUNLIGHT. STORE IN A DRY PLACE. FOR INDOOR AND DOMESTIC USE ONLY.

**MAXIMUM SAFE LOAD: 8KGS FOR CLOTH RAIL, 5KGS FOR SHELF.**

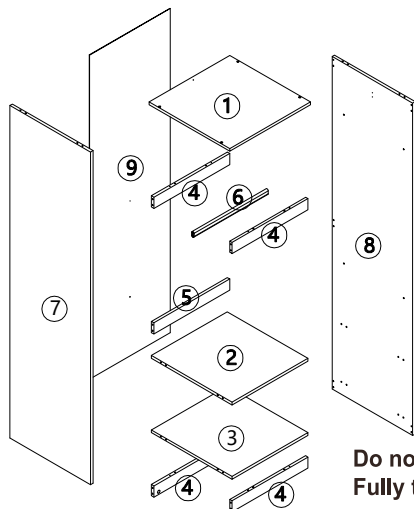
①

### Hardware List

	A	M6x35mm	20pcs
	B	Ø15x9.5mm	20pcs
	C	Ø6x30mm	28pcs
	D	M6x50mm	4pcs
	E	M5x60mm	8pcs
	F		2pcs
	G	M4x12mm	4pcs

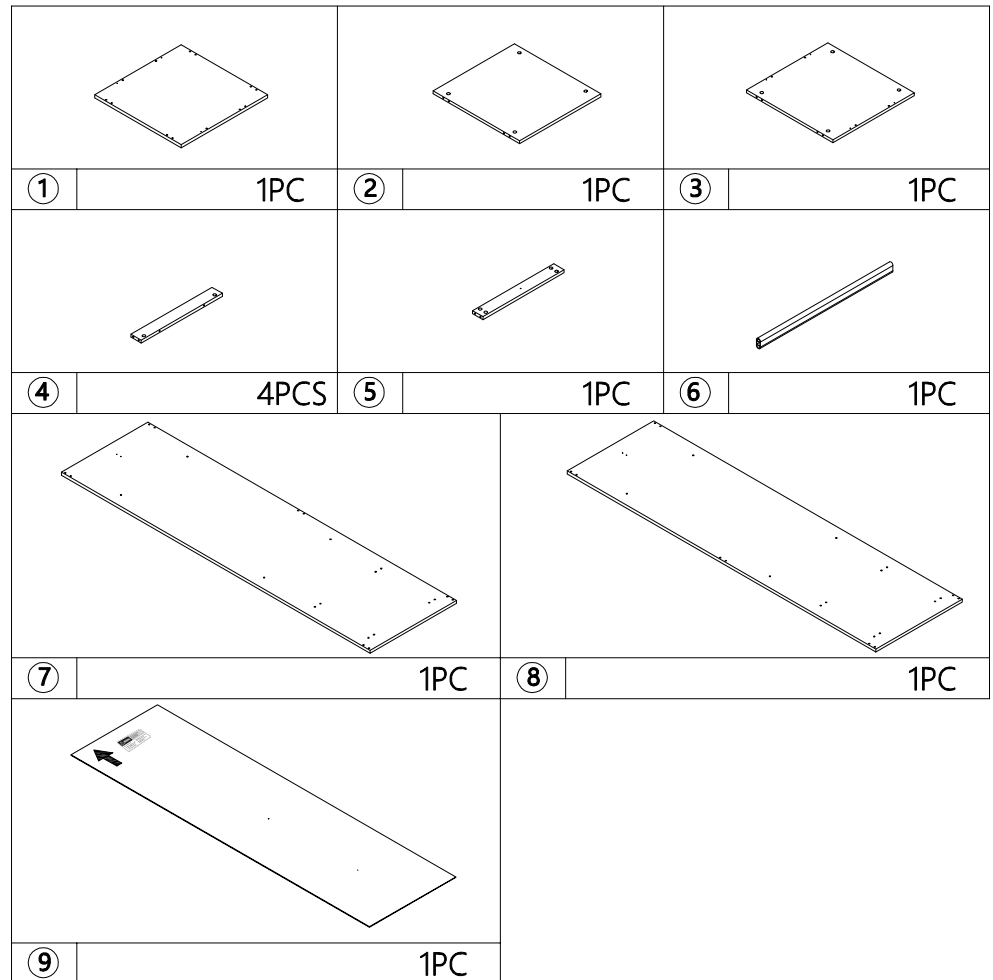
	H	M2x16mm	24pcs
	I	M4x12mm	2pcs
	J	M4x12mm	1pc
	K	M4x35mm	1pc
	L		1pc
	M	M4x14mm	4pcs

②



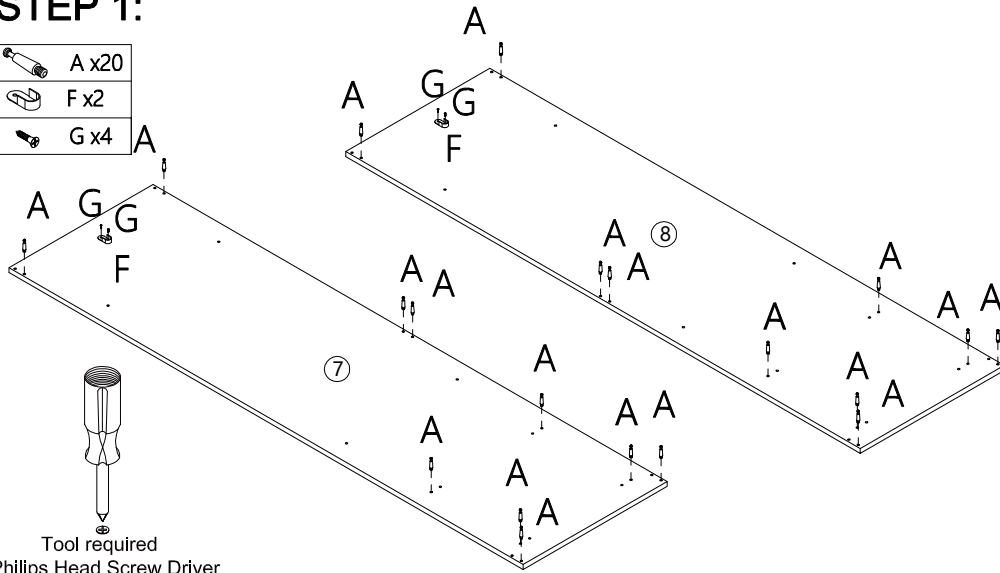
Do not tighten the screws fully during assembly.  
Fully tighten screws after the final assembly steps

③



### STEP 1:

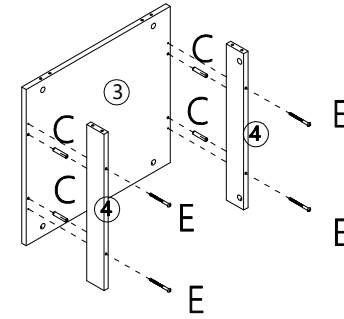
- A x20
- F x2
- G x4



Tool required  
Philips Head Screw Driver  
(Not Provided)

### STEP 2:

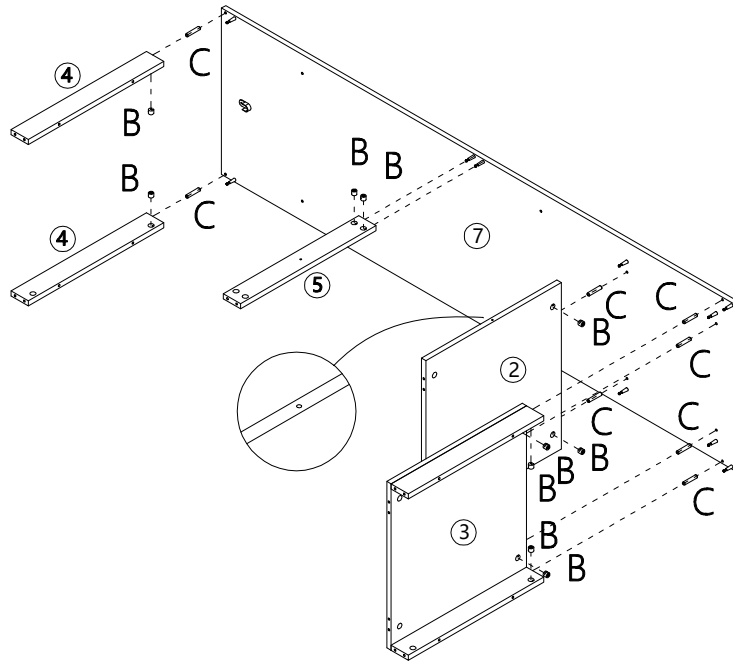
- C x4
- E x4



Tool required  
Philips Head Screw Driver  
(Not Provided)

### STEP 3:

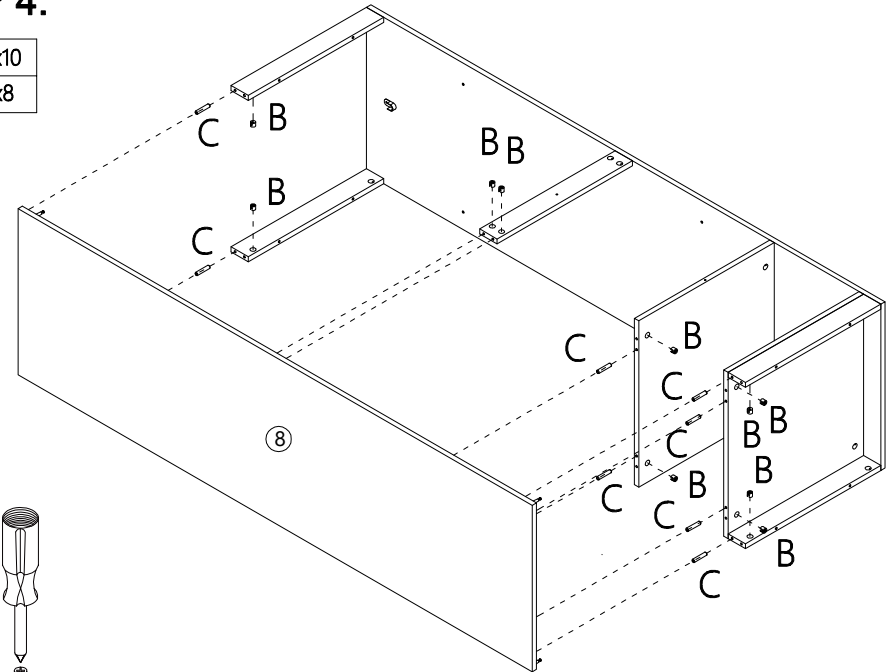
- B x10
- C x8



Tool required  
Philips Head Screw Driver  
(Not Provided)

### STEP 4:

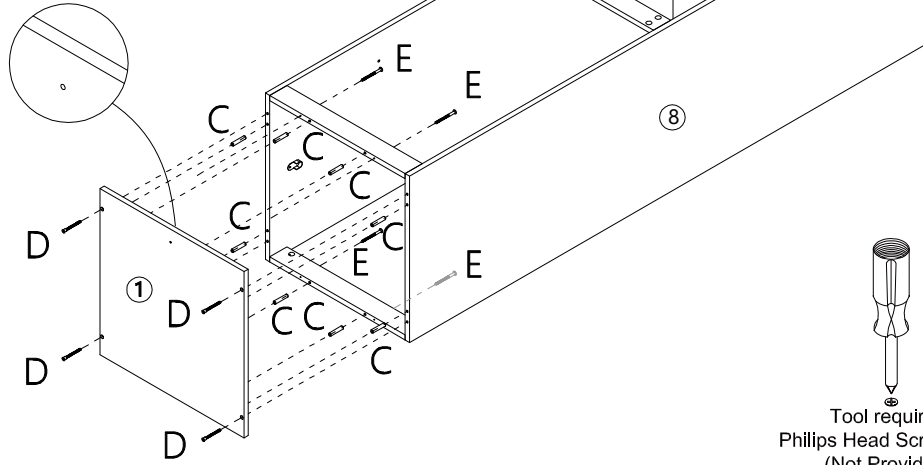
- B x10
- C x8



Tool required  
Philips Head Screw Driver  
(Not Provided)

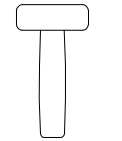
### STEP 5:

- C x8
- D x4
- E x4



Tool required  
Phillips Head Screw Driver  
(Not Provided)

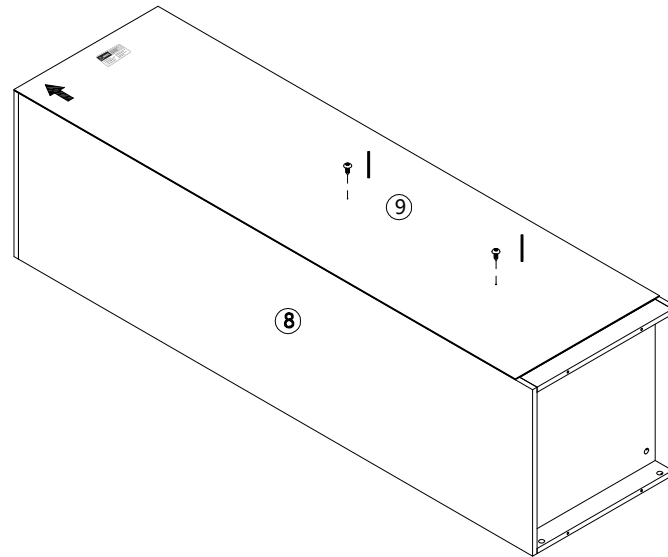
### STEP 6:



Tool required  
(Not Provided)

### STEP 7:

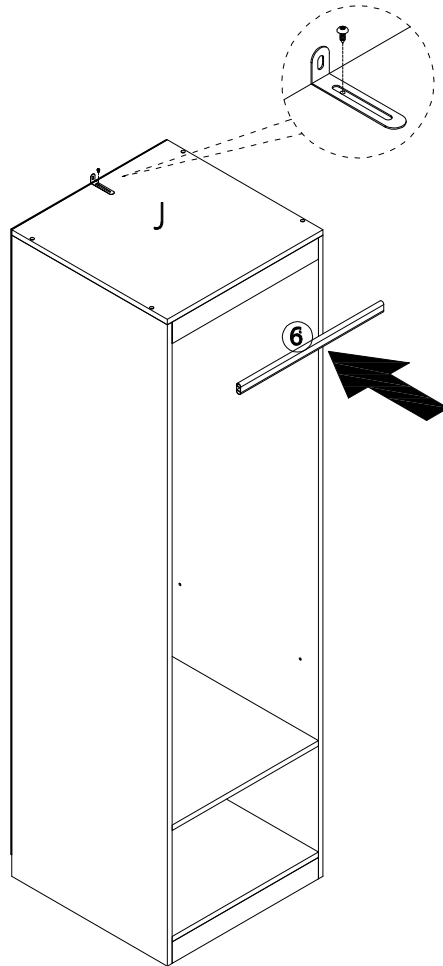
- I x2



Tool required  
Phillips Head Screw Driver  
(Not Provided)

## STEP 9:

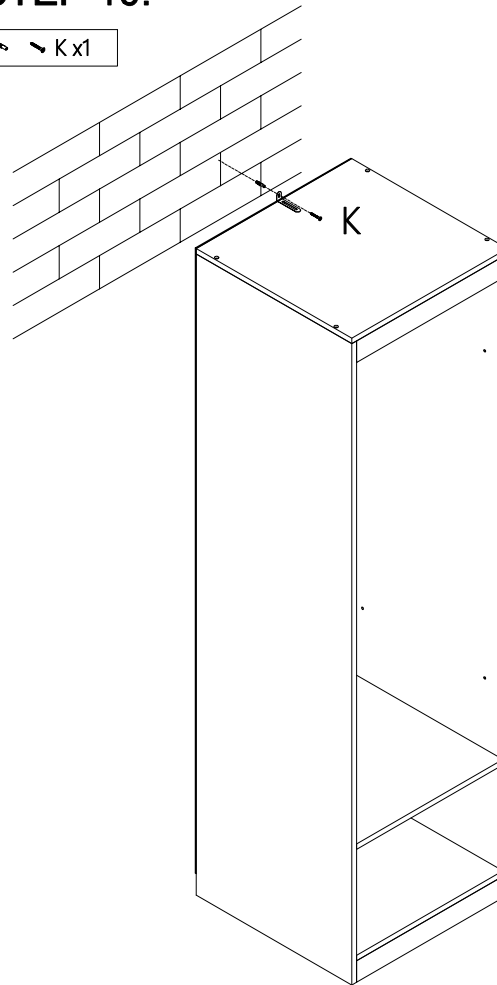
 J x1



Tool required  
Philips Head Screw Driver  
(Not Provided)

## STEP 10:

 K x1



Tool required  
Philips Head Screw Driver  
(Not Provided)

User instructions should include the wording:

- It is strongly recommended that this product is permanently fixed to the wall.
- Please seek professional advice if you are in doubt of what fixing device to use.
- Regularly check that anchors are securely maintained.
- Stability of tall items may be affected by thick pile carpet or uneven floors .
- Do not place unanchored televisions on furniture .

**CAUTION:** for your safety when attaching the anchor fixings, please note the following:

- Check any electrical wires or plumbing inside the wall before drilling any holes (if you are unsure please seek professional advice from a qualified tradesperson).

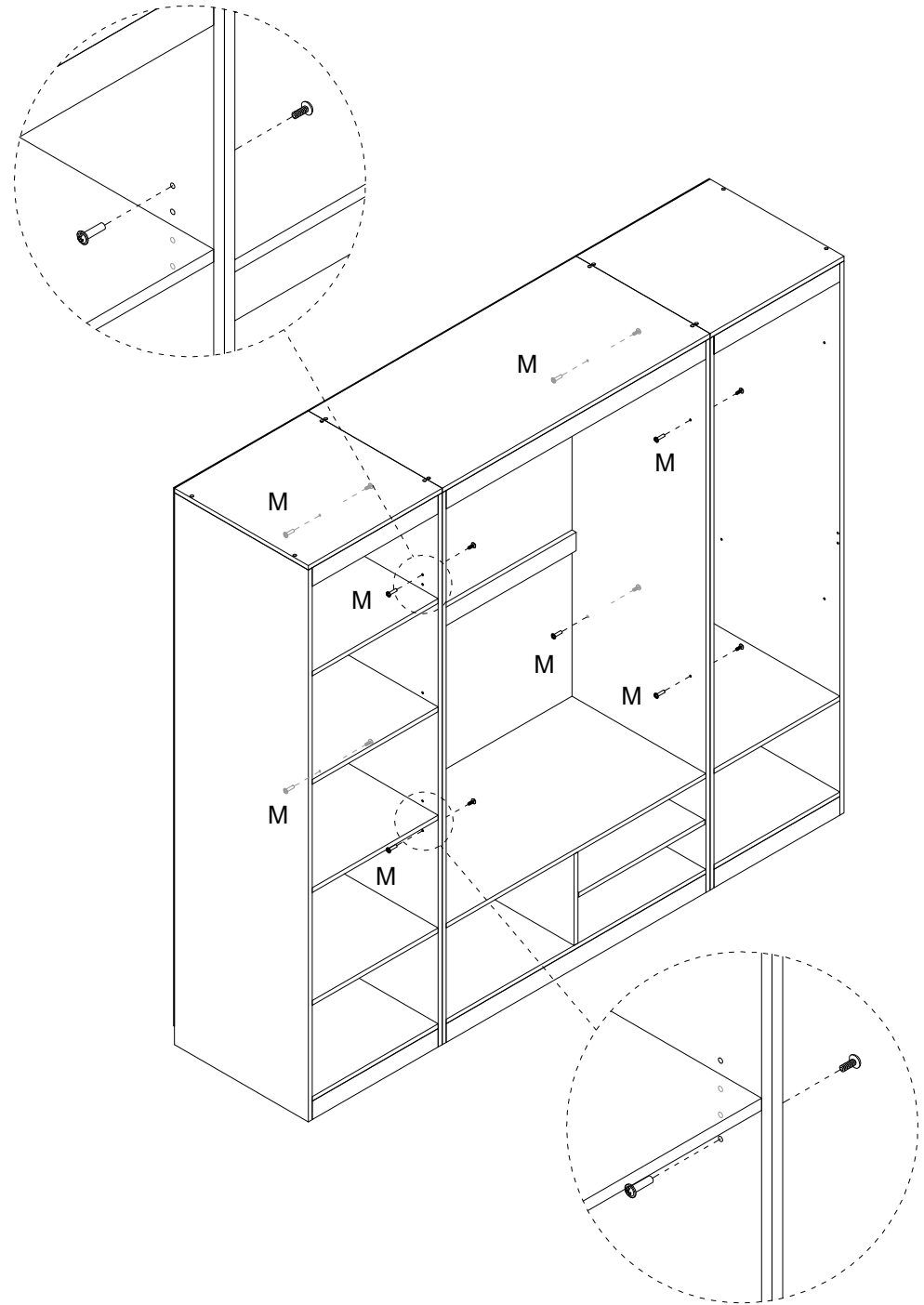


WARNING: PLEASE SECURE  
YOUR FURNITURE WITH  
THE SUPPLIED WALL  
FIXING. SCAN THE CODE  
FOR MORE INFORMATION.



 M X4

If you want to connect wardrobes 43229079 & 43229062 & 43229017 together, you can use a 5mm drill bit to drill through the hole and then use the screw "M" to connect the wardrobes together



Tool required  
(Not Provided)