

# Assembly Instructions

## 43230587 PANELLED SHELF UNIT WITH DOORS










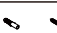
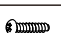

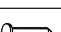
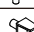



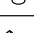


### CARE INSTRUCTIONS:

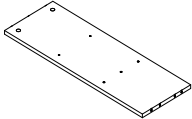
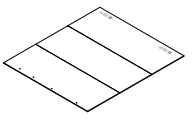
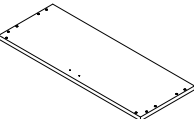
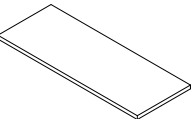
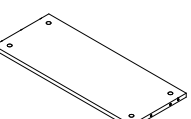
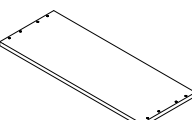
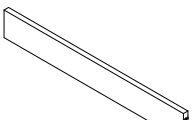
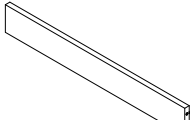
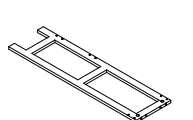
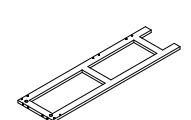
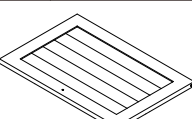
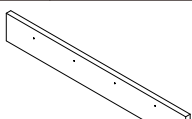
Wipe clean with a damp cloth. Keep away from water and direct sunlight. For indoor and domestic use. Check and tighten all parts regularly.

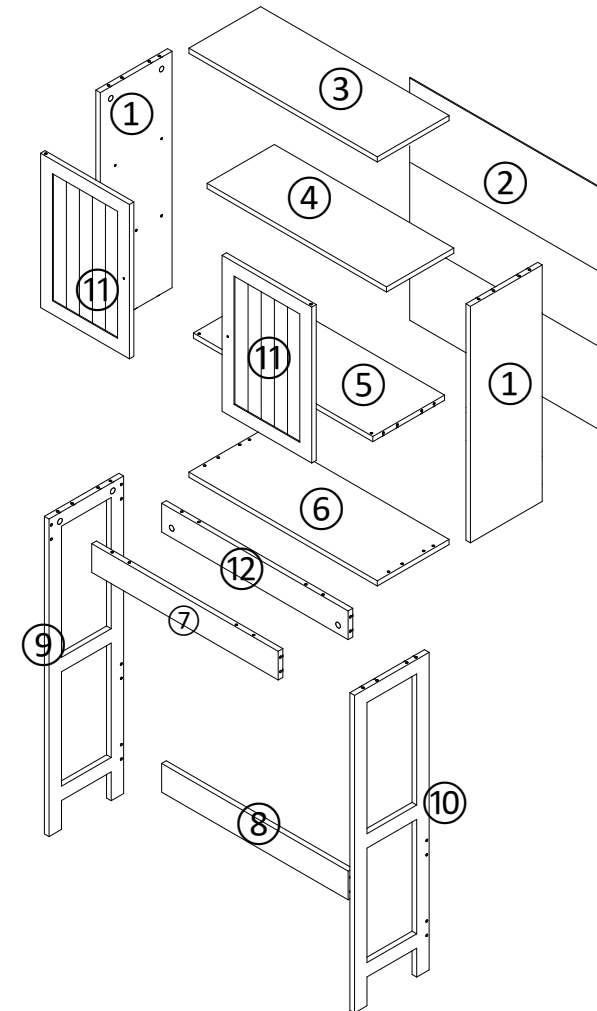
### WARNING:

Do not stand, sit, or lean on the product. Do not drag the product. Use only on a flat surface. Do not use until all screws, bolts and knobs are firmly secured. This product contains small parts and sharp points, keep away from children and babies. Adult assembly required. Failure to follow these warnings could result in serious injury.

**MAXIMUM SAFE LOAD: 5KG FOR EACH SHELF.**


	a	M6x35	16pcs		g		2pcs
	b	M15x10	16pcs		h		1pc
	c	M4x12	12pcs		i		2pcs
	d	M6x30	24pcs		j	M4x12	2pcs
	e	M4x35	4pcs		k	M4x35	2pcs
	f	M4x16	2pcs		m		4pcs
	n		22pcs		o		4pcs
	r	M4x55	4pcs		s		4pcs
	t	M6x50	4pcs		v		4pcs
	w		12pcs		x		4pcs

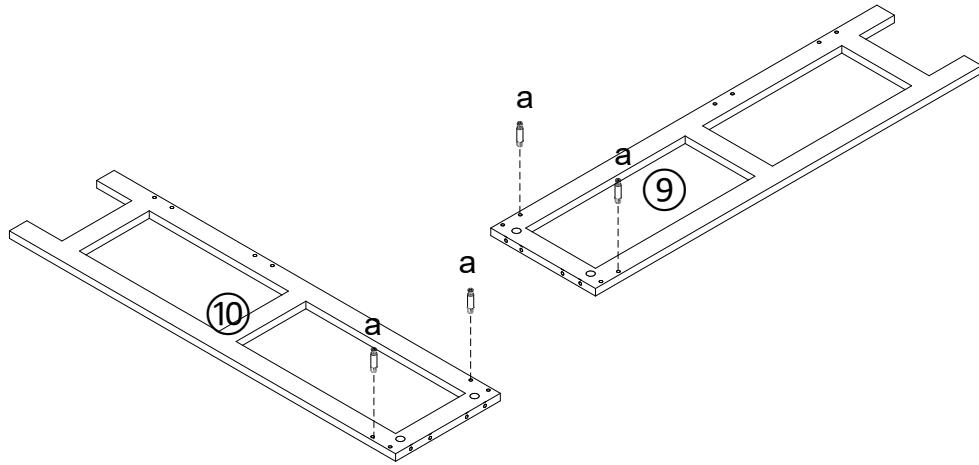
				
① 2pcs	② 1pc	③ 1pc	④ 1pc	⑤ 1pc
				
⑥ 1pc	⑦ 1pc	⑧ 1pc	⑨ 1pc	⑩ 1pc
				
⑪ 2pcs	⑫ 1pc			




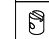


**Do not tighten the screws fully during assembly.  
Fully tighten screws after the final assembly steps**

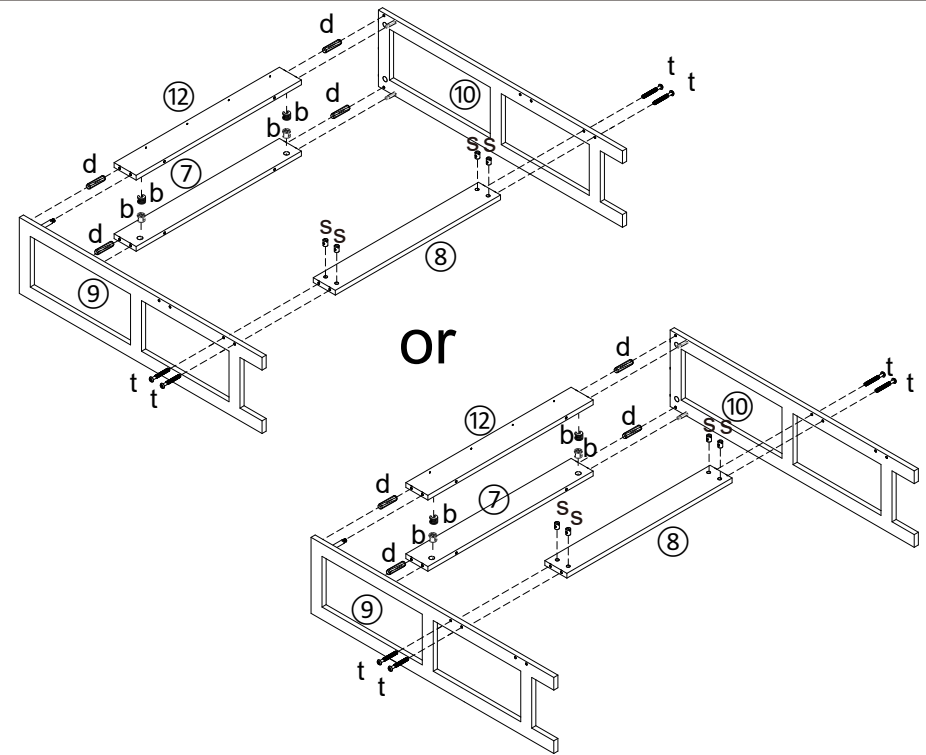
### step 1

 a x 4


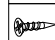



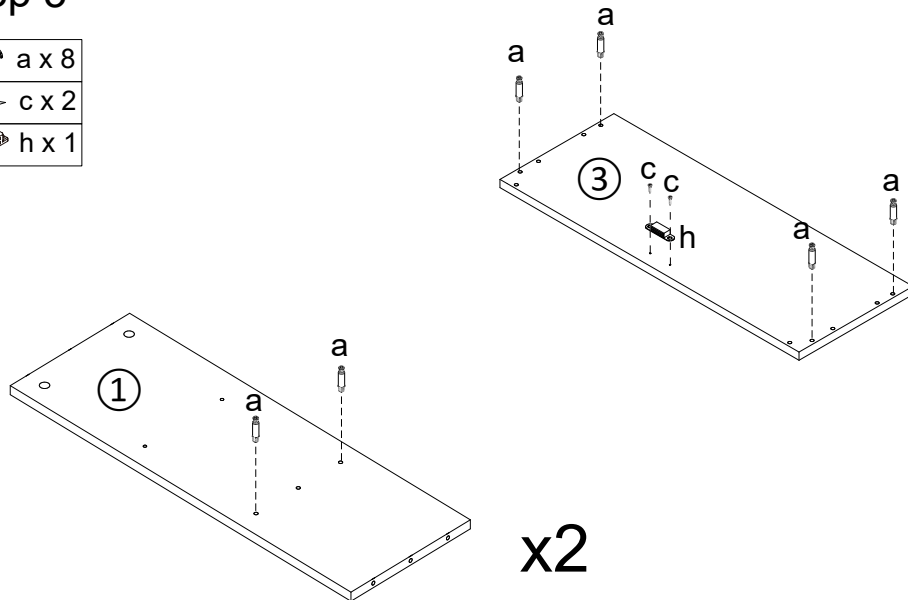
### step 2

 b x 4  
 s x 4  
 t x 4  
 d x 4





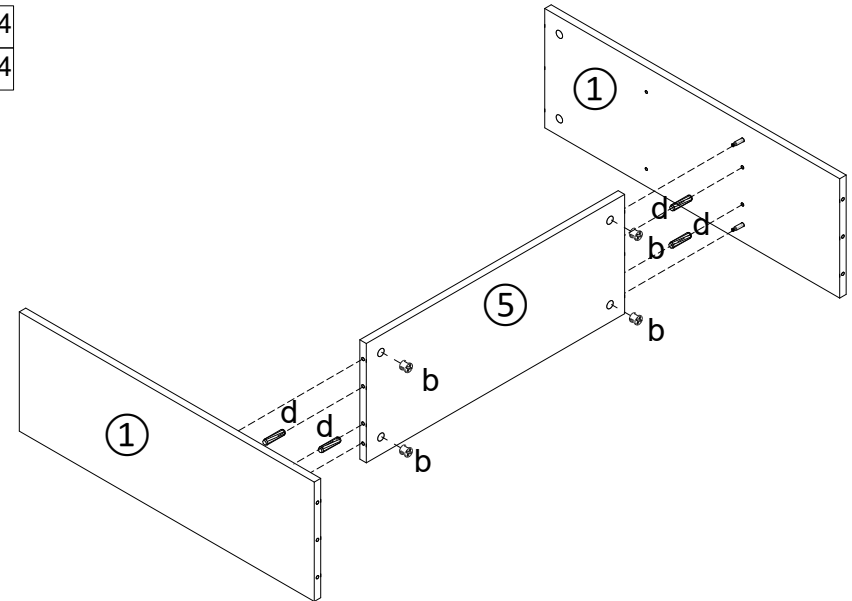
### step 3

 a x 8  
 c x 2  
 h x 1





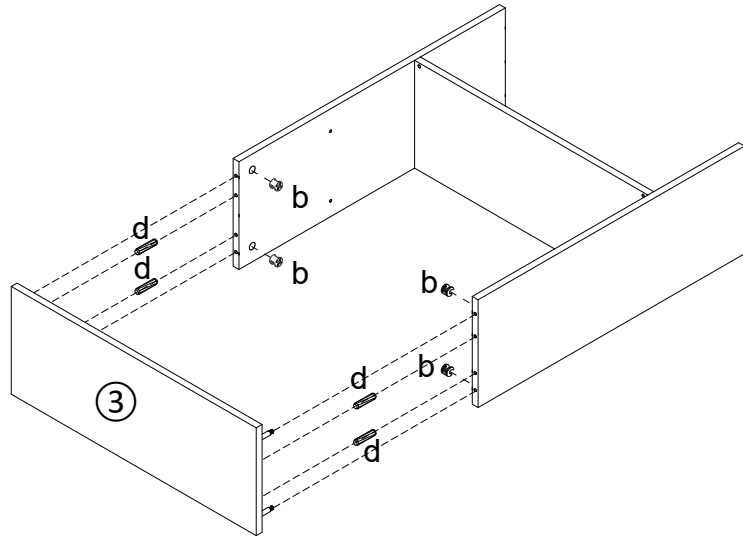
### step 4

 b x 4  
 d x 4






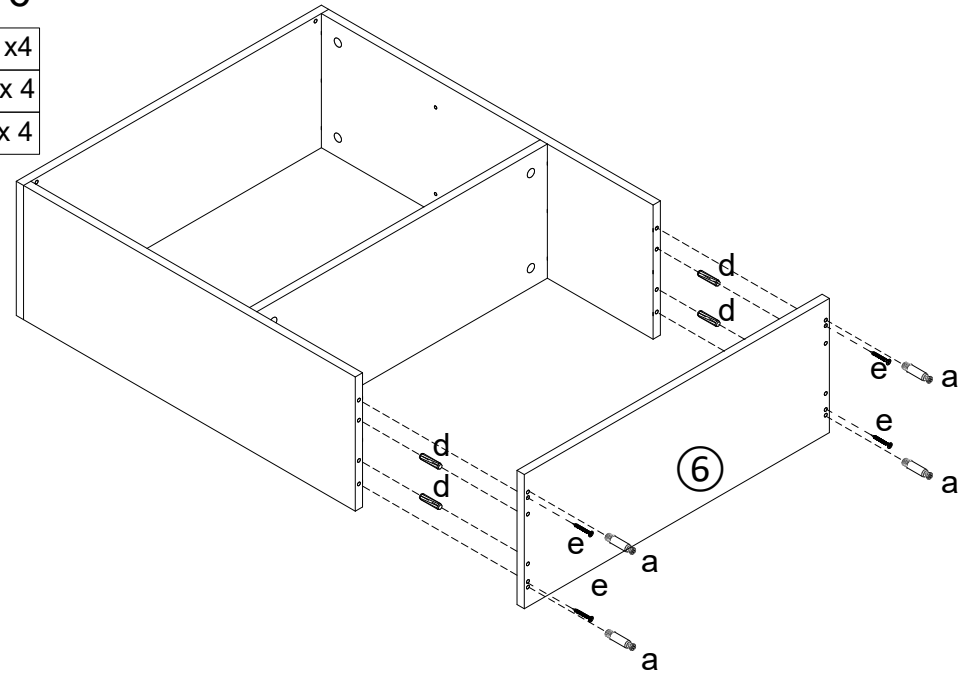
### step 5

-  b x 4
-  d x 4






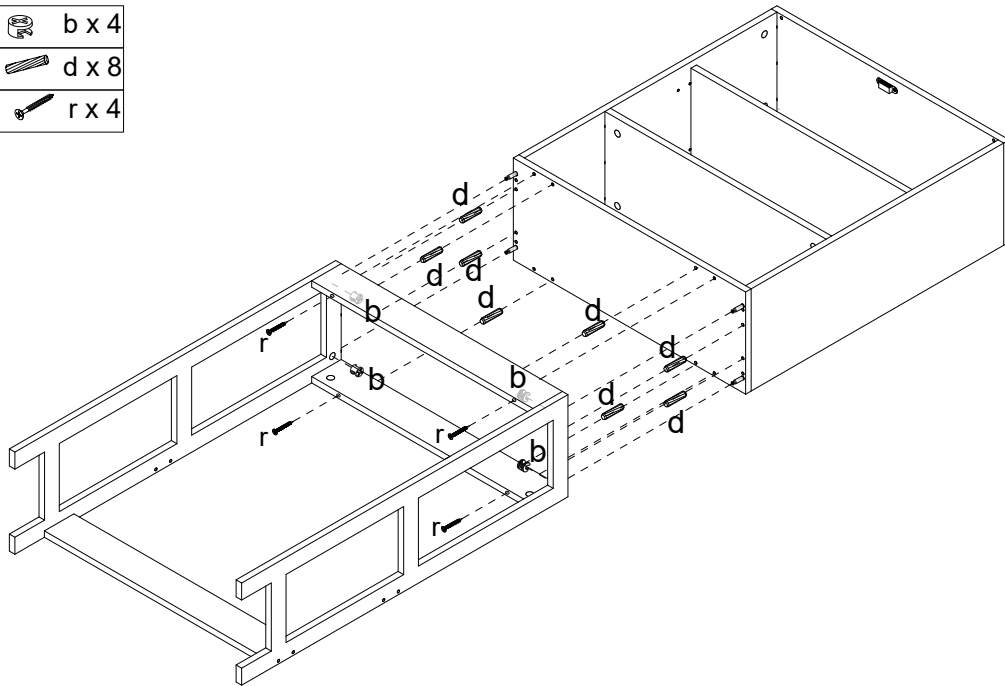
### step 6

-  e x 4
-  d x 4
-  a x 4


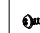



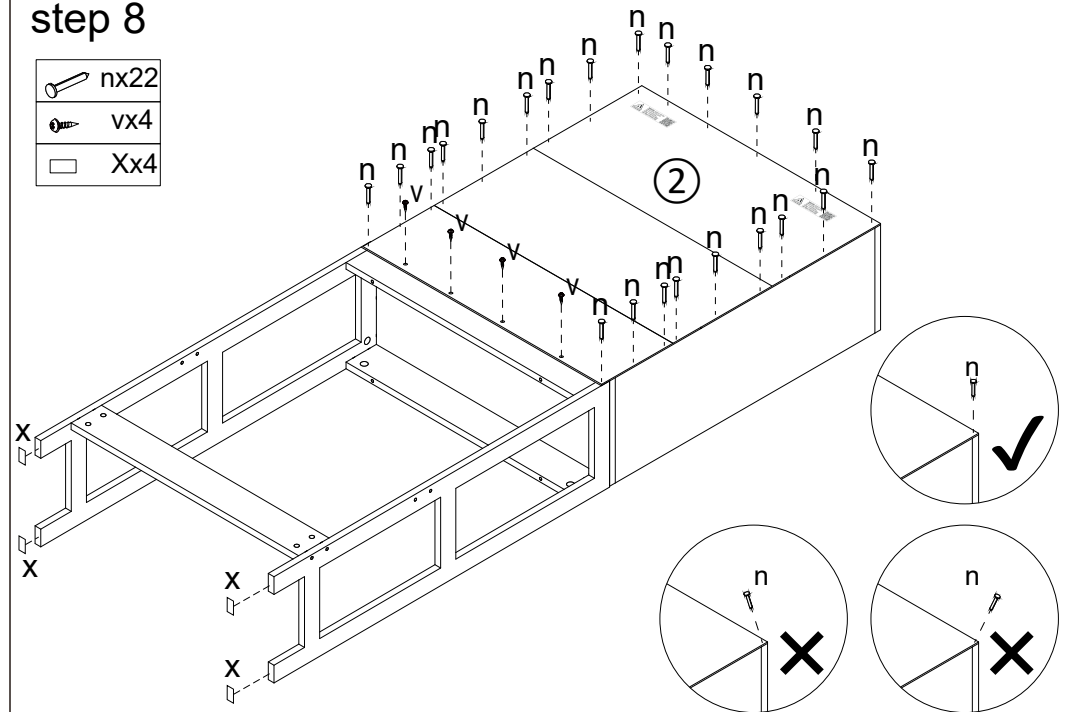
### step 7

-  b x 4
-  d x 8
-  r x 4



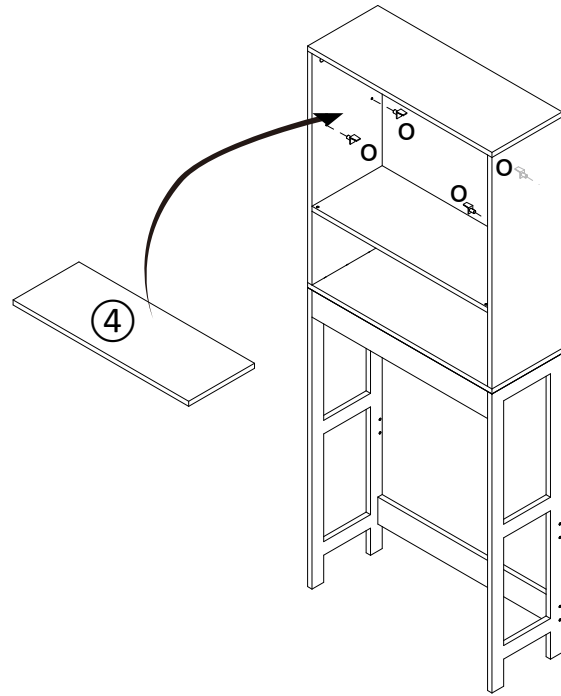
### step 8

-  nx22
-  vx4
-  Xx4



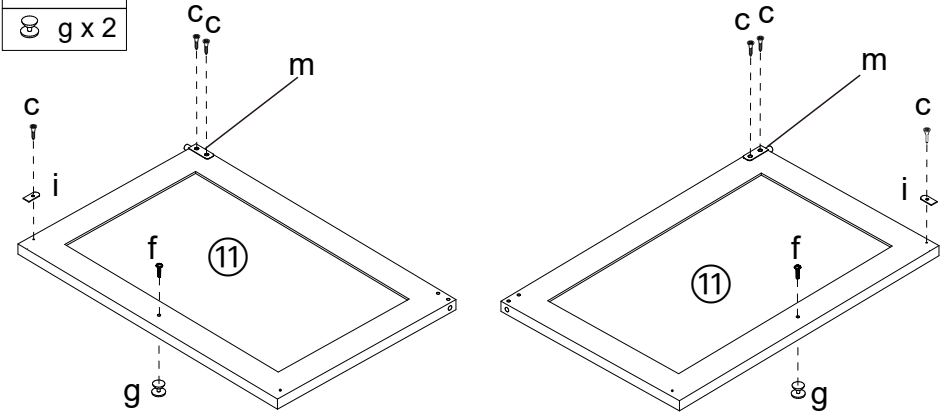
### step 9

o x 4



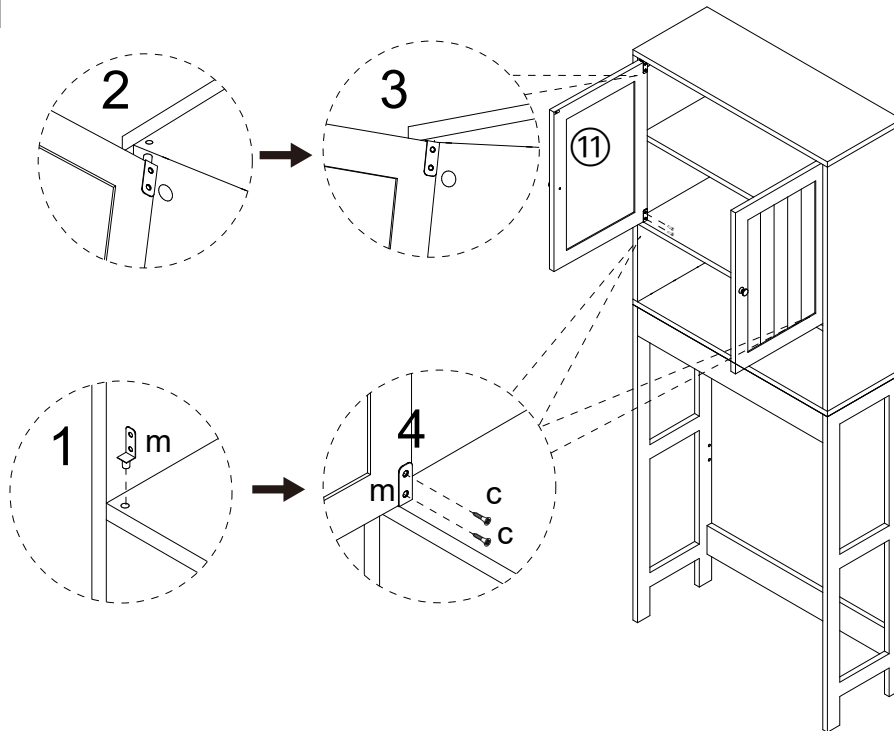
### step 10

c x 6  
i x 2  
m x 2  
f x 2  
g x 2



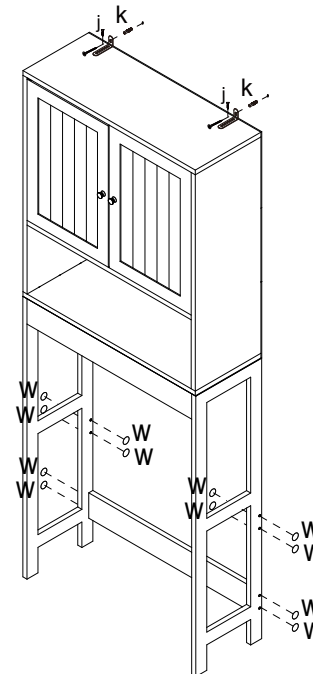
### step 11

c x 4  
m x 2



### step 12

k x 2  
j x 2  
w x 12



#### USER INSTRUCTIONS SHOULD INCLUDE THE WORDING:

- IT IS STRONGLY RECOMMENDED THAT THIS PRODUCT IS PERMANENTLY FIXED TO THE WALL.
- PLEASE SEEK PROFESSIONAL ADVICE IF YOU ARE IN DOUBT OF WHAT FIXING DEVICE TO USE.
- REGULARLY CHECK THAT ANCHORS ARE SECURELY MAINTAINED.
- STABILITY OF TALL ITEMS MAY BE AFFECTED BY THICK PILE CARPET OR UNEVEN FLOORS .
- DO NOT PLACE UNANCHORED TELEVISIONS ON FURNITURE .

#### CAUTION: FOR YOUR SAFETY WHEN ATTACHING THE ANCHOR FIXINGS, PLEASE NOTE THE FOLLOWING:

- CHECK ANY ELECTRICAL WIRES OR PLUMBING INSIDE THE WALL BEFORE DRILLING ANY HOLES (IF YOU ARE UNSURE PLEASE SEEK PROFESSIONAL ADVICE FROM A QUALIFIED TRADESPERSON).



WARNING: PLEASE SECURE YOUR FURNITURE WITH THE SUPPLIED WALL FIXING. SCAN THE CODE FOR MORE INFORMATION.

