







anko

## PET STEPS WITH DRAWERS

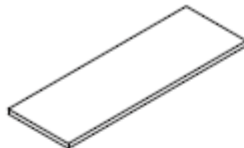
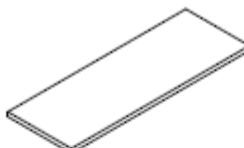


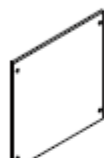
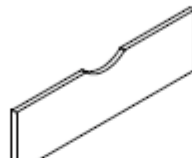
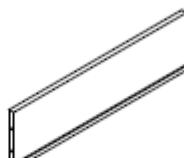

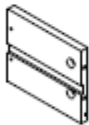
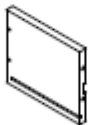
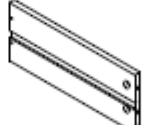

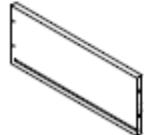





## Contents

### 1 Hardware List

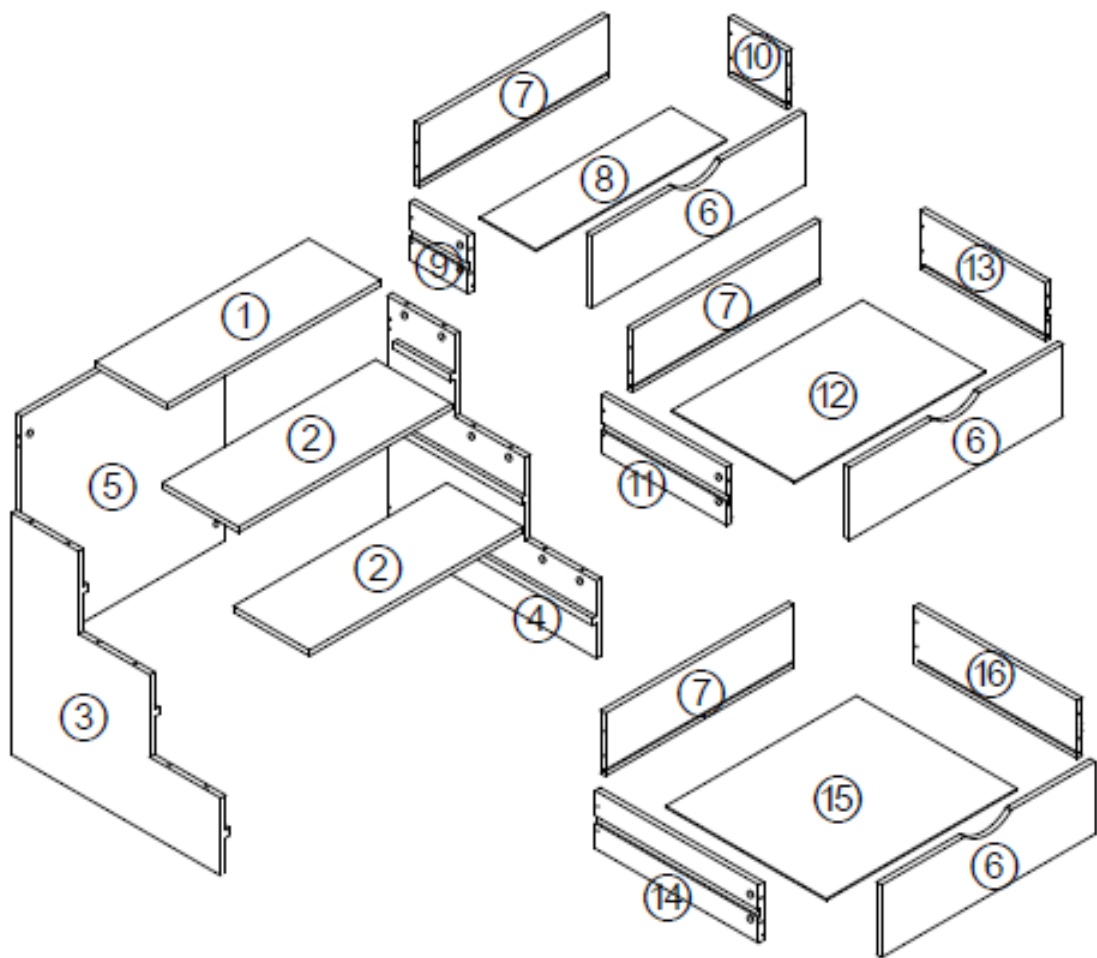
 4PCS	 28PCS	 28PCS	 12PCS	 6PCS	 6PCS
-------------------------------------------------------------------------------------------	--------------------------------------------------------------------------------------------	--------------------------------------------------------------------------------------------	--------------------------------------------------------------------------------------------	---------------------------------------------------------------------------------------------	---------------------------------------------------------------------------------------------

### 2 Parts List

			
① 1pc	② 2pcs	③ 1pc	④ 1pc
			
⑤ 1pc	⑥ 3pcs	⑦ 3pcs	⑧ 1pc
			
⑨ 1pc	⑩ 1pc	⑪ 1pc	⑫ 1pc
			
⑬ 1pc	⑭ 1pc	⑮ 1pc	⑯ 1pc



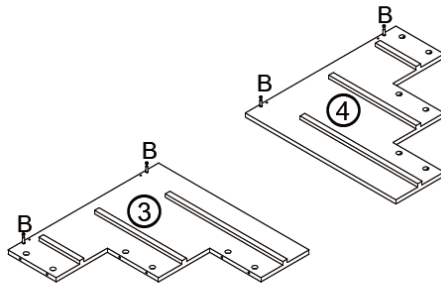
Tool required  
Phillips Head Screw Driver  
(Not Provided)



## Instructions

### Step 1.

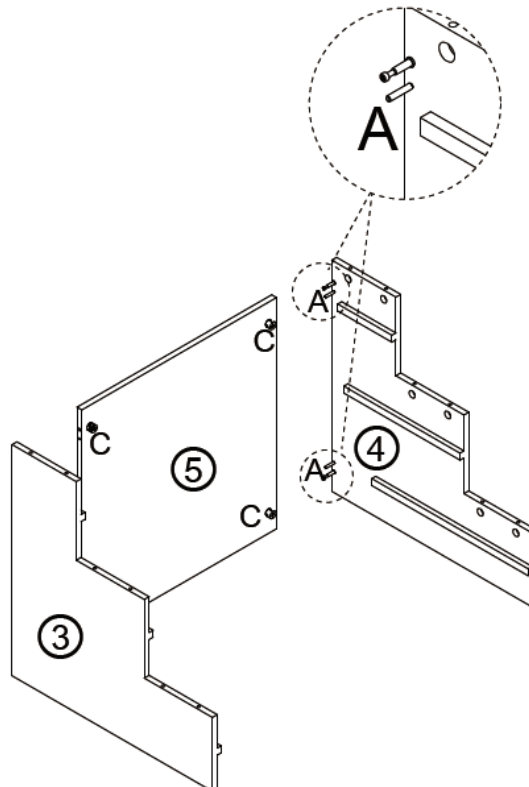
Screw 2 of parts B into board 3 and 2 of parts B into board 4.



### Step 2.

Add wooden dowels parts A, and insert them into the inner holes onto both boards 3 and 4.

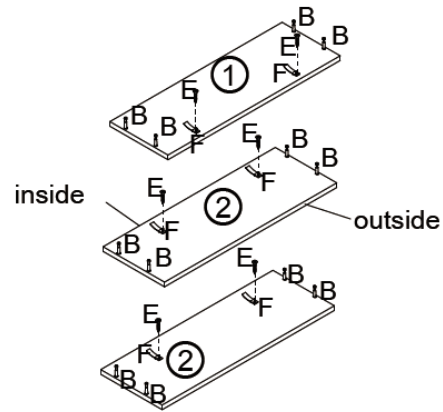
Ensure board 5 has the holes facing inwards, and insert boards 3 and 4 into board 5 using screws B, shown in the diagram below:



Secure screws B with parts C using a screw driver.

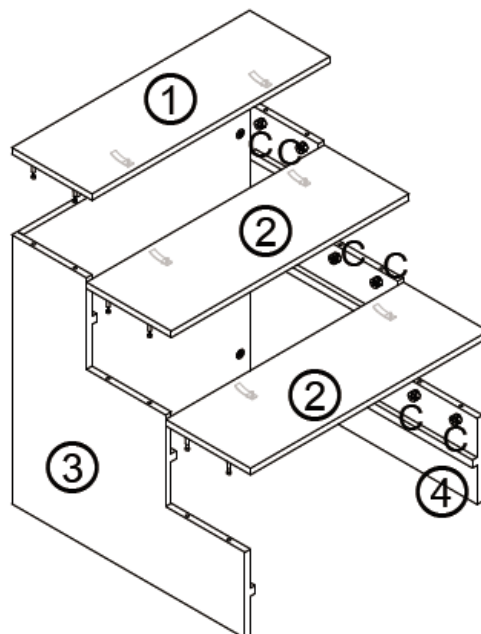
### Step 3.

Insert parts B into the outer holes of board 1 and boards 2. Insert screws E into parts F on board 1 and boards 2, ensuring the tails of part F are facing inside, like shown in the diagram below:



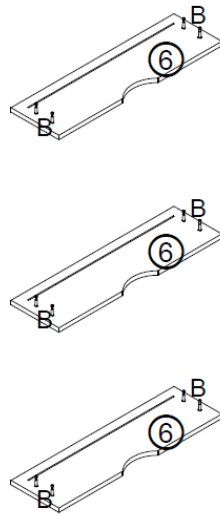
### Step 4.

Place board 1 and boards 2 onto the previously made structure. Secure screws B onto boards 3 and 4 with parts C, using a screw driver.



### Step 5.

Insert parts B into 3 of the number 6 boards using a screw driver.

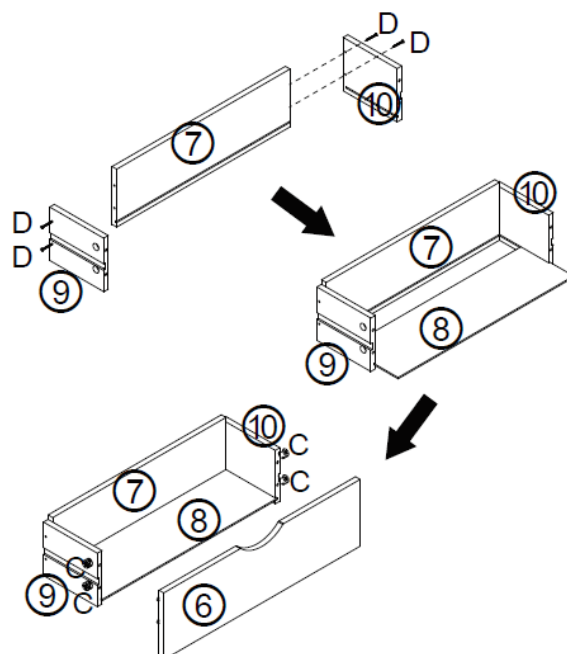


### Step 6.

Insert screw parts D through boards 9 and 10, into board 7.

Insert the bottom of the drawer by sliding board 8 through the grooves to connect it onto boards 7, 9 and 10.

Secure the front of the drawer by placing board 6 onto the premade structure. Add parts C into the holes, and secure them with a screw driver.



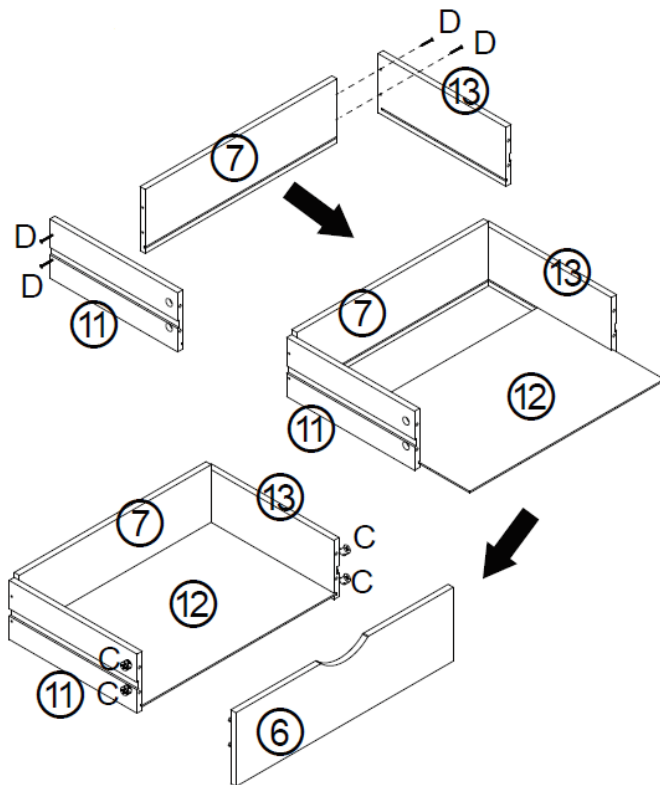
### Step 7.

Insert screw parts D through boards 11 and 13, into board 7.

Insert the bottom of the drawer by sliding board 12 through the grooves to connect it onto boards 7, 11 and 13.

Secure the front of the drawer by placing board 6 onto the premade structure. Add parts C into the holes, and secure them with a screw driver.

Refer to the diagram below:



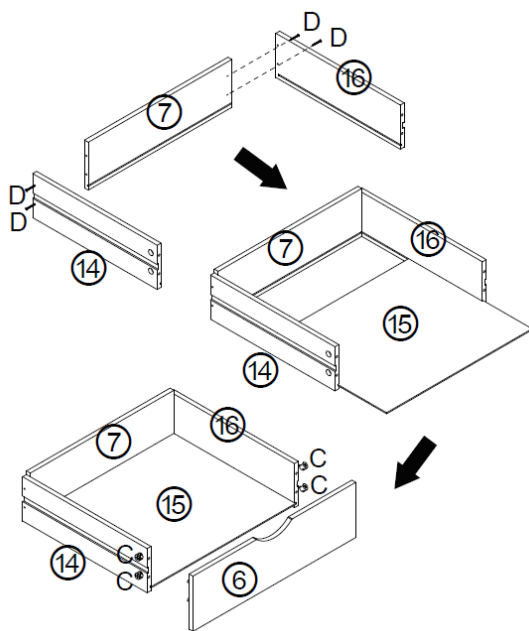
### Step 8.

Insert screw parts D through boards 14 and 16, into board 7.

Insert the bottom of the drawer by sliding board 15 through the grooves to connect it onto boards 7, 14 and 16.

Secure the front of the drawer by placing board 6 onto the premade structure. Add parts C into the holes, and secure them with a screw driver.

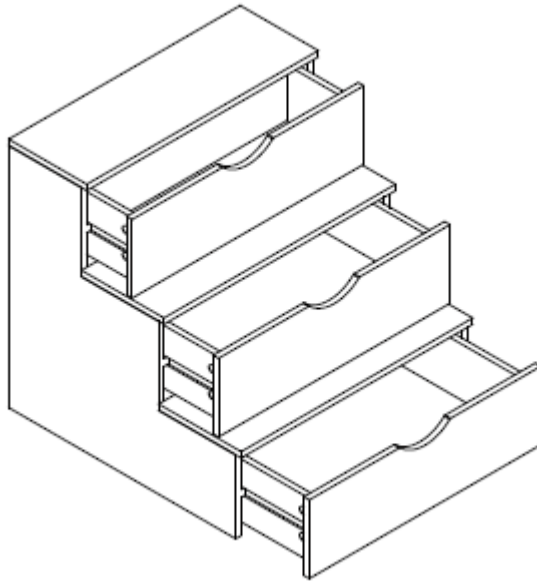
Refer to the diagram below:





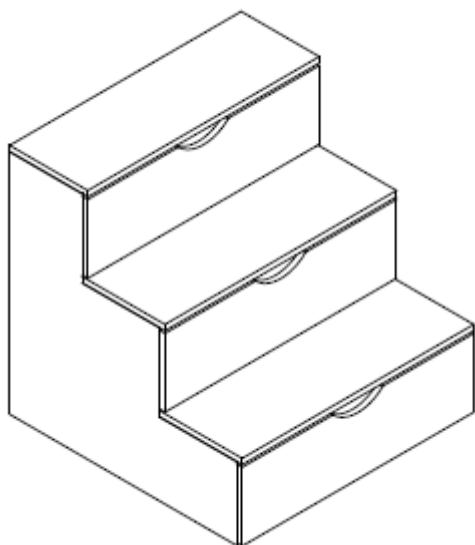
**Step 9.**

Insert the drawers into the drawer frame.



**Step 10.**

Close the drawers.



**CARE INSTRUCTIONS:**

TO BE ASSEMBLED ON A CLEAN, DRY AND SMOOTH SURFACE.

WIPE CLEAN WITH A SOFT DAMP CLOTH.

CHECK AND TIGHTEN ALL PARTS REGULARLY.

KEEP AWAY FROM WATER AND DIRECT SUNLIGHT.

STORE IN A DRY PLACE.

FOR INDOOR AND DOMESTIC USE ONLY.

**WARNING:**

**THESE STEPS ARE FOR PET USE ONLY.**

DO NOT USE THE PRODUCT UNTIL ALL SCREWS **AND PARTS** ARE FIRMLY SECURED.

USE ONLY ON **AN** EVEN SURFACE.

DO NOT PLACE ANY ITEMS **ONTO** THE SURFACE OF **THESE** PET STEPS.

FOR YOUR PET'S SAFETY, INSPECT REGULARLY AND REMOVE IF DAMAGED.

FAILURE TO FOLLOW THESE WARNINGS COULD RESULT IN SERIOUS INJURY.

**MAXIMUM SAFE LOAD WEIGHT: 50KG.**