

anko

INSTRUCTION MANUAL

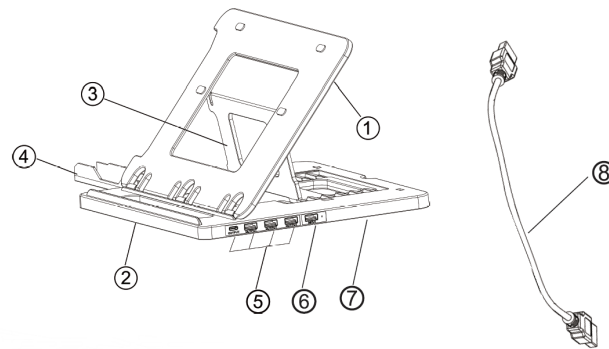


Keycode: 43241521
Laptop Stand Hub Phone Holder

To ensure optimum performance and safety, please read this instructions carefully before operating this product.

Product Overview

- 1.Laptop stand panel
- 2.Laptop stand base
- 3.Laptop support frame
- 4.Mobile phone bracket
- 5.3 x 2.0 USB ports and 1 x USBC port
- 6.Input port
- 7.Cable holding slot (Underneath)
- 8.USB cable 48cm



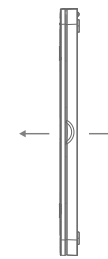
Weight capacity: 5kg

Specifications

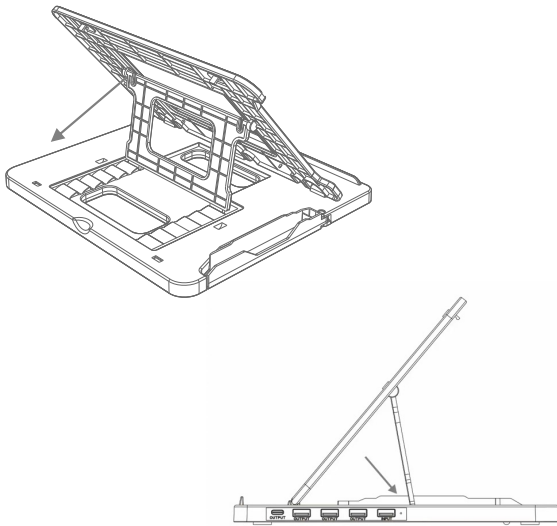
Folded size: 28*25*2cm
Max raised height: 17cm
Input: 5V/1A
Output: 5V/1A (Max)
Hub: 3 x 2.0 USB ports and 1 x USBC port
Material: ABS
7 angles for adjustment

Operation

1. Pull the stand panel

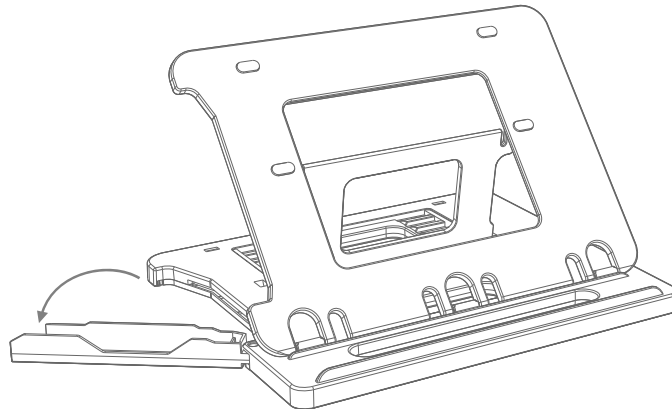


2. Pick up the brackets at back and choose the angle you need from 7 adjustments.



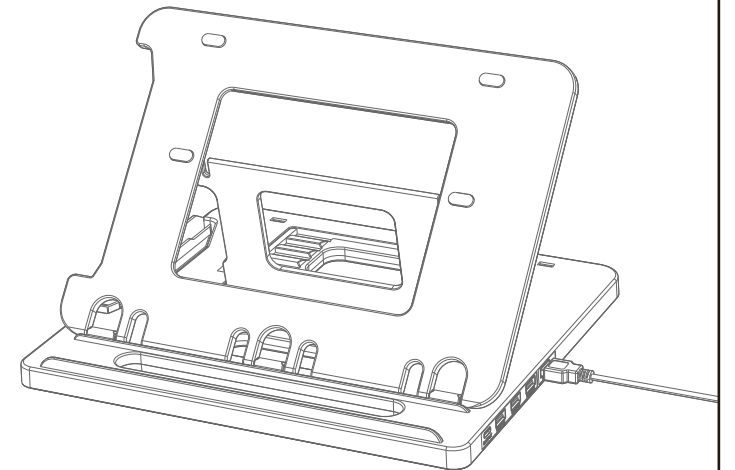
3

3. Put your laptop (Not included) on the stand base gear and pull out the mobile phone bracket if needed.



4

4. Insert one of the cable USB connector into the laptop's USB port, and connect the other end of USB cable into the stand's input port, then the installation is completed and you can start to use the laptop stand.



5

材质：128g双铜纸

双面印刷

风琴折