

Assembly Instructions










43242030 HAMPTONS BEDSIDE TABLE

CARE INSTRUCTIONS: WIPE CLEAN WITH A SOFT DAMP CLOTH. NEVER USE SCOURERS, ABRASIVES OR CHEMICAL SOLVENTS. KEEP AWAY FROM MOISTURE AND DIRECT SUNLIGHT. STORE IN A DRY PLACE. FOR INDOOR USE ONLY.

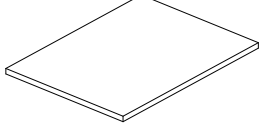

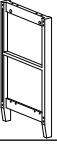
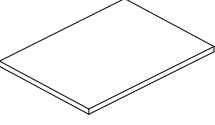
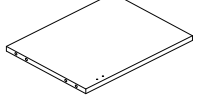
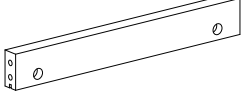
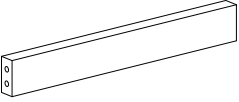

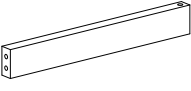
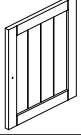
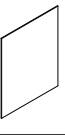
WARNING: DO NOT STAND, SIT OR LEAN ON THE UNIT. DO NOT USE THIS UNIT AS A STEP LADDER. ENSURE THIS UNIT IS USED ONLY ON A FLAT SURFACE. DO NOT USE THIS UNIT UNLESS ALL BOLTS AND SCREWS ARE FIRMLY SECURED. DO NOT PLACE HOT OBJECTS SUCH AS COFFEE CUPS DIRECTLY ON THE SURFACE OF THIS FURNITURE ITEM. THIS ITEM IS FOR STORAGE PURPOSES ONLY. CONTAINS SMALL PARTS. IT IS TO BE ASSEMBLED BY AN ADULT. FAILURE TO FOLLOW THESE WARNINGS COULD RESULT IN SERIOUS INJURY.

MAXIMUM SAFE LOAD: 10KG FOR TOP, 5KG FOR SHELF.

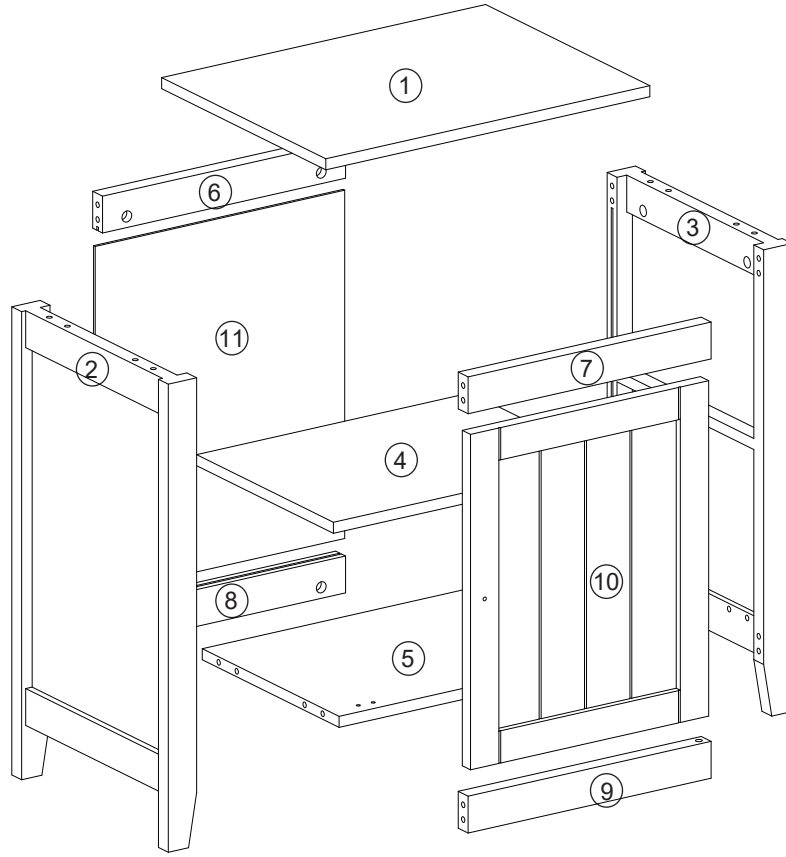
1 Hardware List

	A	6x30mm	16pcs		B	6x35mm	16pcs		C	12x10mm	16pcs
	D		2pcs		E	3x14mm	6pcs		F	4x25mm	1pc
	G		1pc		H		1pc		I		4pcs

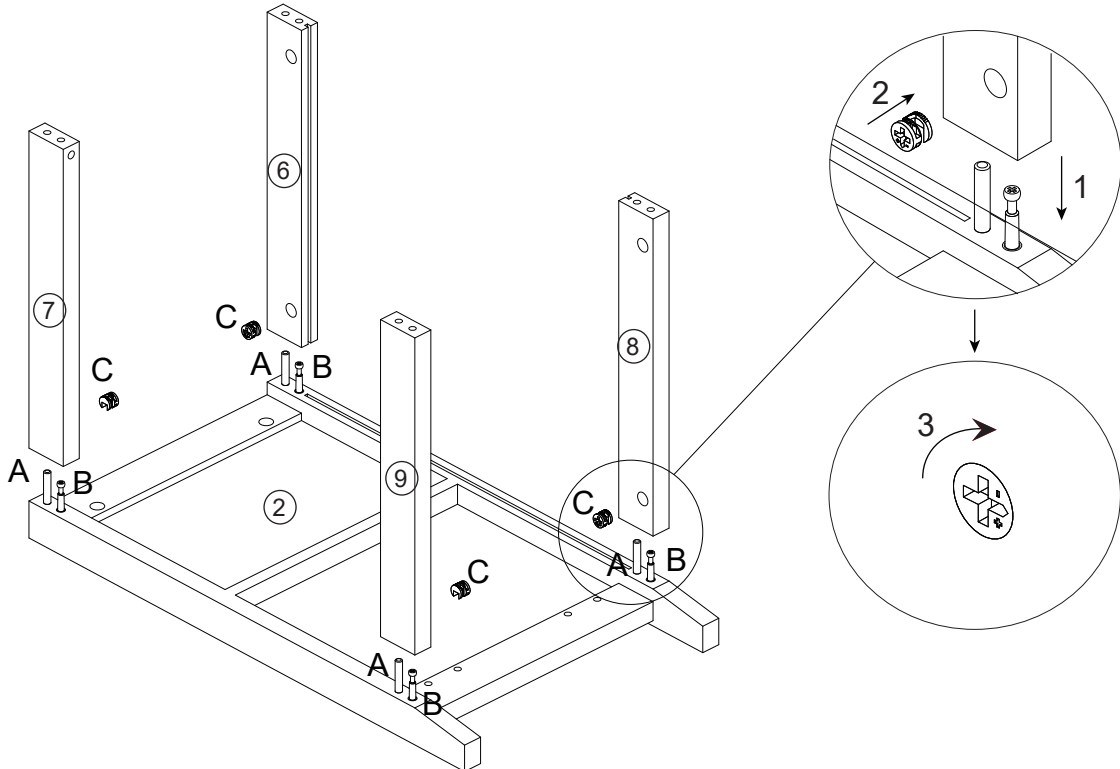
2 Parts List

							
①	1pc	②	1pc	③	1pc	④	1pc
							
⑤	1pc	⑥	1pc	⑦	1pc	⑧	1pc
							
⑨	1pc	⑩	1pc	⑪	1pc		

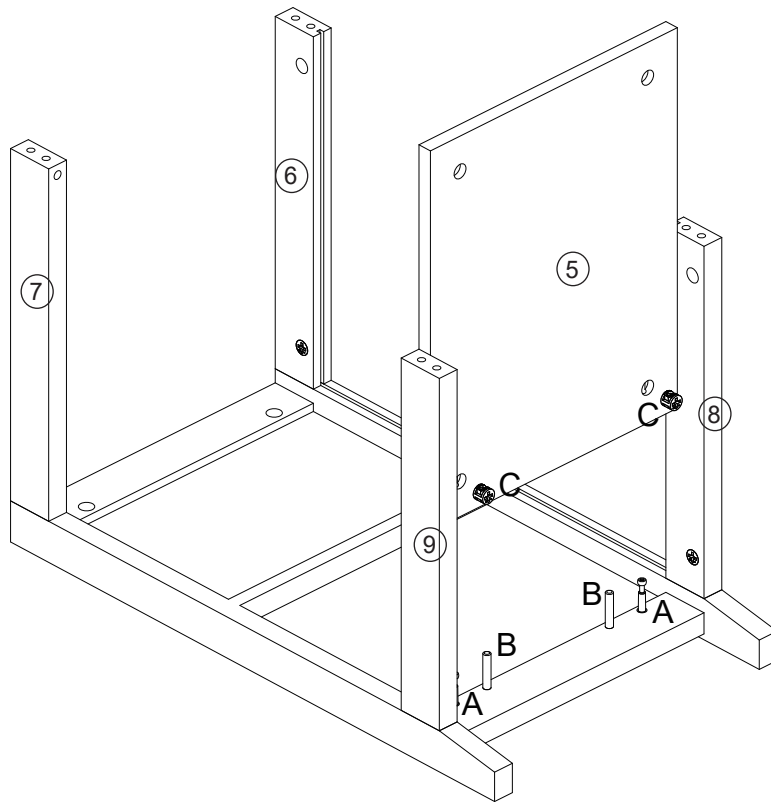
3



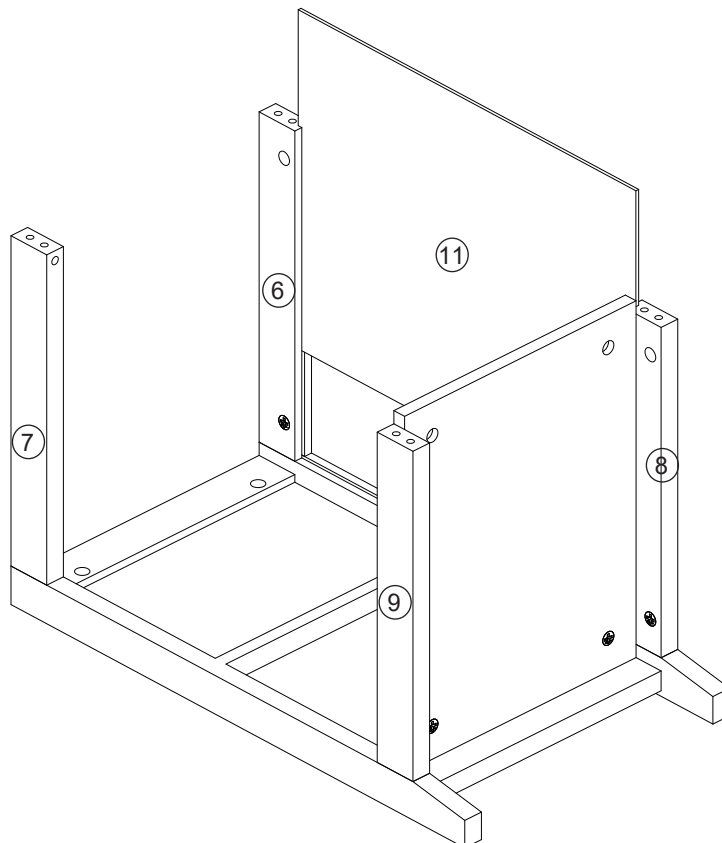
STEP 1 A -  x 4 B -  x 4 C -  x 4



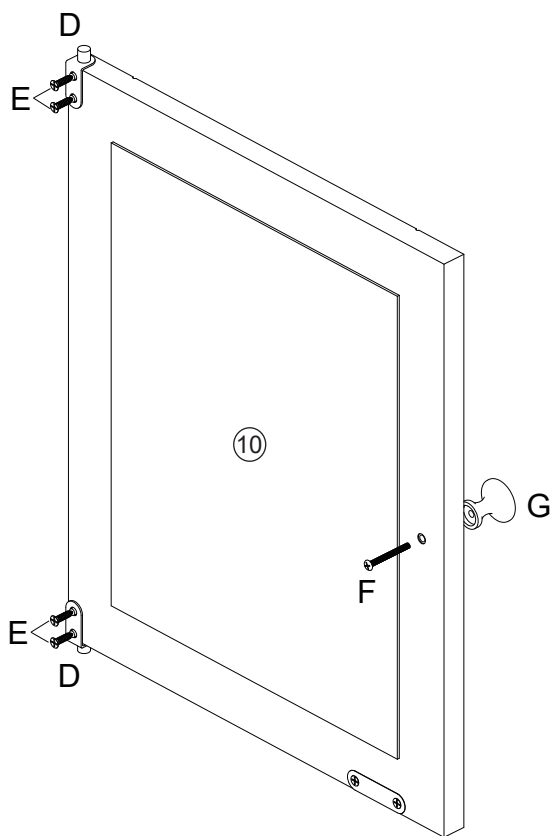
STEP 2 A -  x 2 B -  x 2 C -  x 2



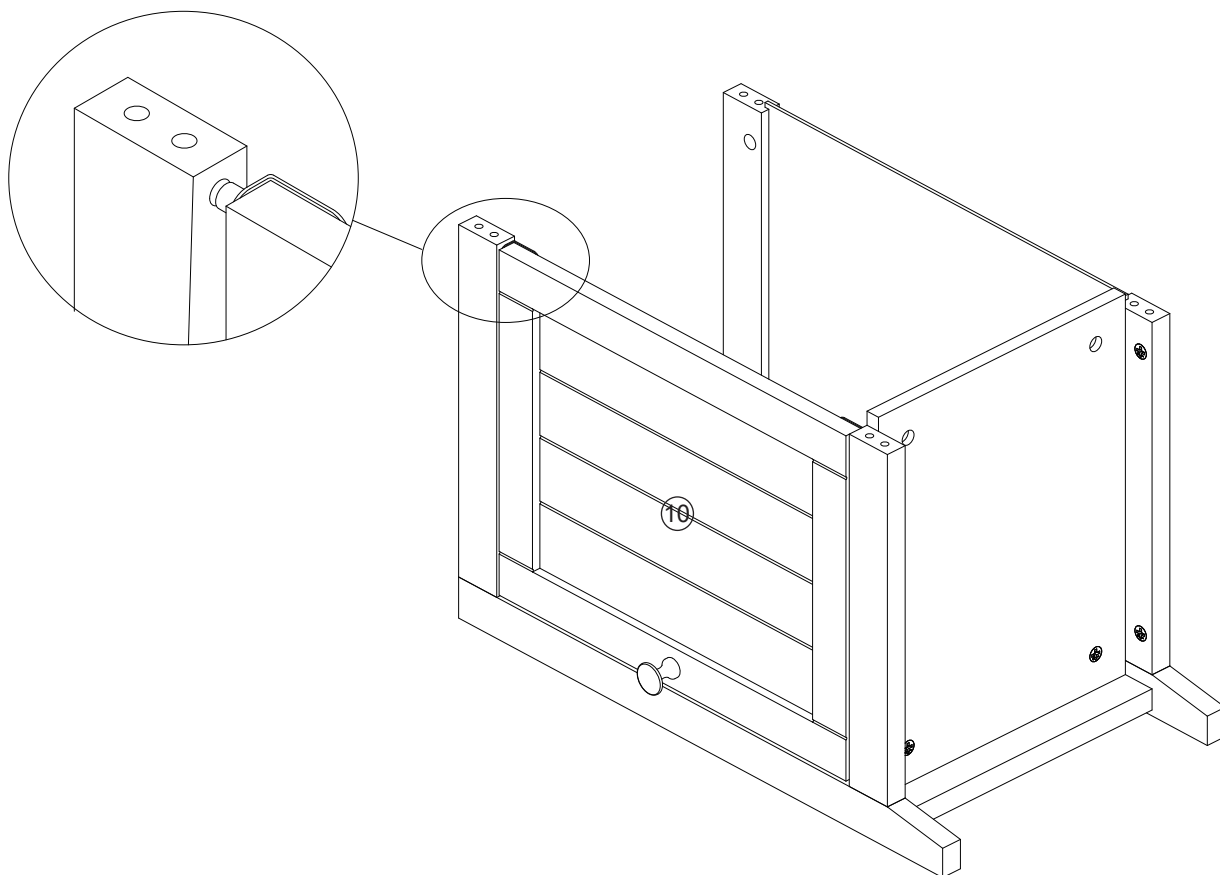
STEP 3



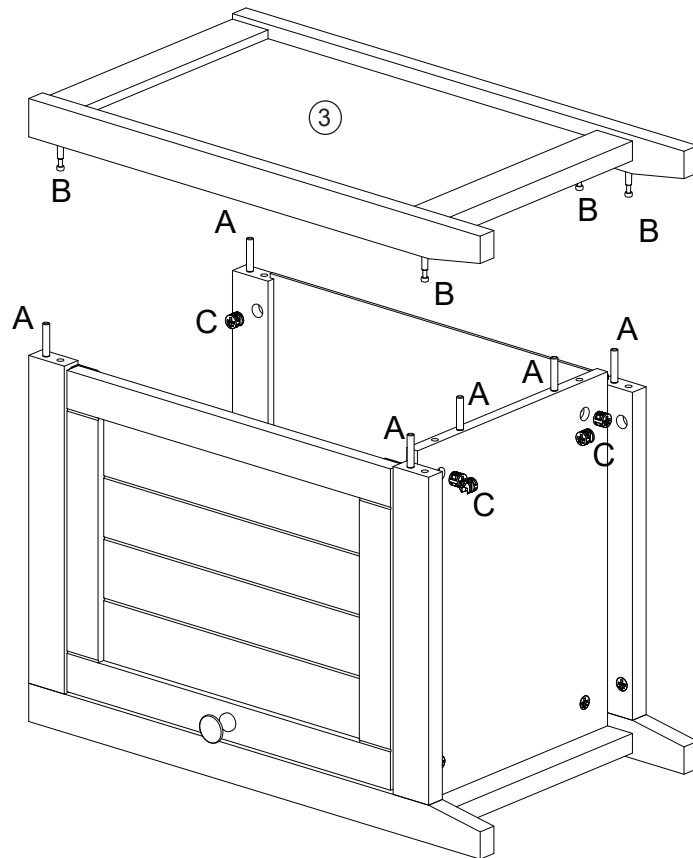
STEP 4 D -  x 2 E -  x 4 F -  x 1 G -  x 1






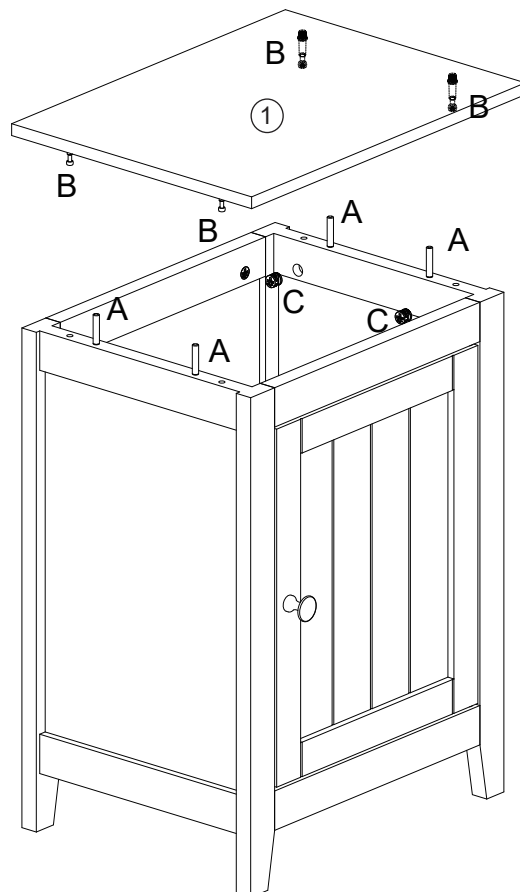
STEP 5



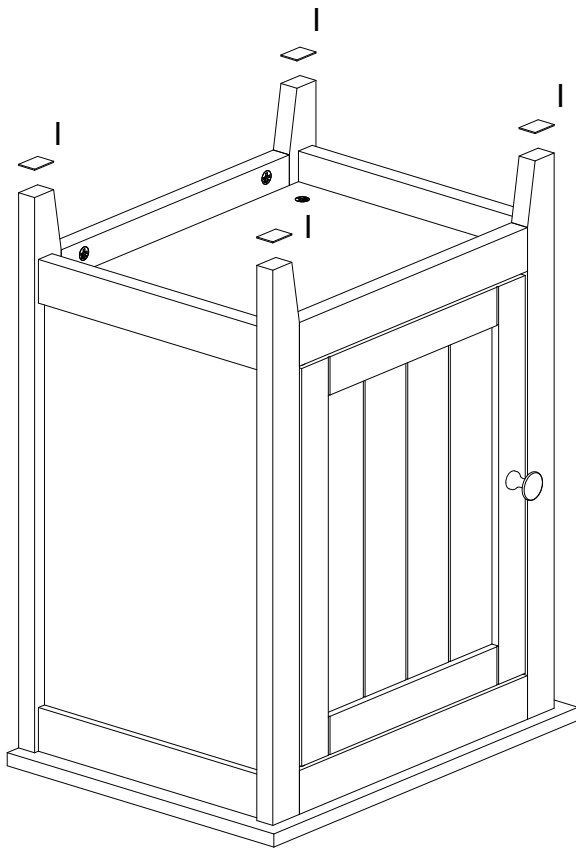
STEP 6 A -  x 6 B -  x 6 C -  x 6



STEP 7 A -  x 4 B -  x 4 C -  x 4



STEP 8 I-◇ × 4



STEP 9 E-⌘ × 2 H-⌘ × 1

