

anko

Nose & Eyebrow Trimmer
Model no.: YD-203
User Manual



**PLEASE READ AND SAVE THESE
INSTRUCTIONS FOR FUTURE REFERENCE**

IMPORTANT SAFETYGUARDS

To ensure proper operation of this appliance, please read this instruction manual completely and carefully before using the appliance and keep it for future reference.

WARNING!

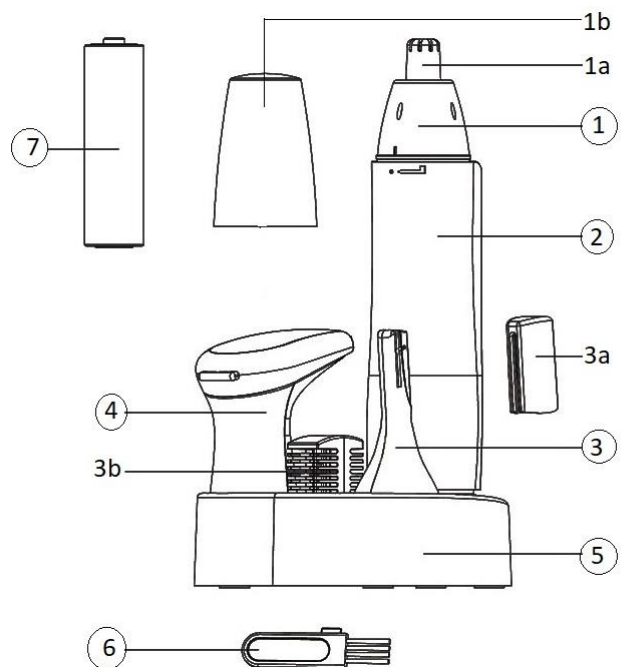
- Do not use this appliance under the following conditions: children; persons with skin inflammation or skin diseases; persons with allergies; do not use the appliance on the eyelids throat; on areas where epilation or where any surgery has been performed.
- Do not press the trimming head with excessive force and do not use it repeatedly in the same area. Do not insert the Nose & Ears Trimmer Head too deep into the nose and ears.
- If you feel any discomfort on your skin during or after using the appliance, stop using it and seek medical assistance if necessary.
- Do not store the appliance in a hot or humid environment.
- Do not attempt to modify, disassemble (except the removable parts), or repair the appliance by yourself for safety.

NOTE: After using the appliance, you may notice a slight redness on the skin. Although this is normal, you can avoid skin irritation by moving the trimmer head gently against the direction of hair growth. Do not trim with excessive force. If after three days skin is still irritated, it is recommended to consult a doctor.

- Children should be supervised to ensure that they do not play with the appliance.
- Always switch OFF the appliance when not in use or before cleaning.
- Do not leave the trimmer unattended when switched ON.
- Do not use any attachments other than supplied.
- This appliance is not intended for commercial use.
- Do not place on any surface while it is operating.
- Do not use this appliance with damaged or broken blade, as injury may occur.
- This appliance is not intended for use by persons (including children) with reduced physical, sensory or mental capabilities, or lack of experience and knowledge, unless they have been given supervision or instruction concerning use of the appliance by a person responsible for their safety.
- Cleaning and user maintenance shall not be made by children without supervision.
- **WARNING: Keep the appliance dry.**
- Non-rechargeable batteries are not to be recharged.
- Batteries are to be inserted with the correct polarity.
- Exhausted batteries are to be removed from the appliance and safely disposed of.
- If the appliance is to be stored unused for a long period, the batteries should be removed.
- The supply terminals are not to be short-circuited.
- Type of Battery: 1.5V AA
- Open the cover, insert the battery with correct polarity, then closed the cover correctly.

**SAVE THESE INSTRUCTIONS
FOR HOUSEHOLD USE ONLY**

KNOW YOUR 3 IN 1 NOSE TRIMMER



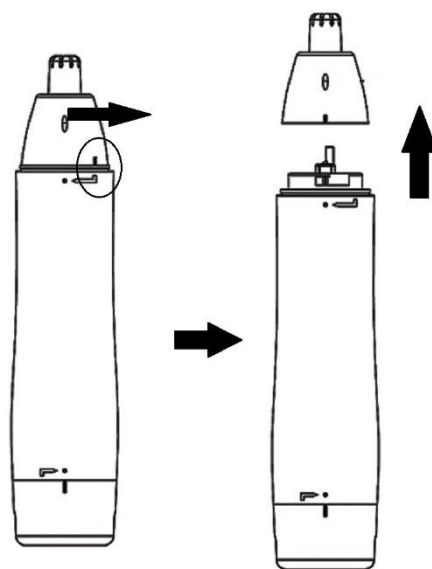
1. Nose & Ear Trimmer attachment
 - 1a) stainless steel blade
 - 1b) Nose & Trimmer protective cover
2. Main Unit
3. Eyebrow Trimmer attachment
 - 3a) Eyebrow trimmer protective cover
 - 3b) Double-side comb attachment (3mm and 6mm)
4. Long Hair Trimmer attachment
5. Storage base
6. Cleaning brush
7. AA Battery (x1)

CHANGING ATTACHMENTS

Always turn the trimmer to OFF when changing or removing attachment.

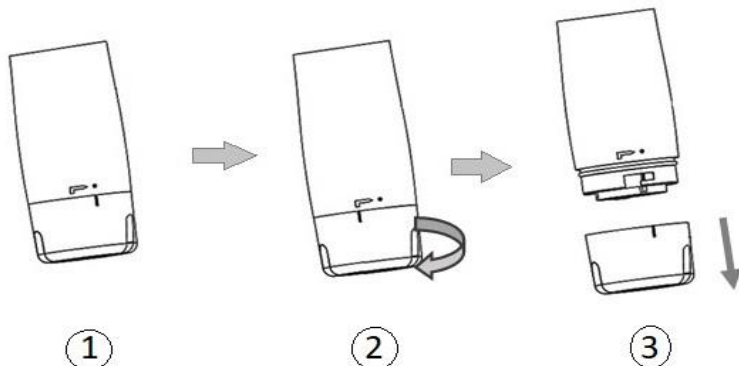
Removing the attachment: Hold the appliance body then rotate the trimmer head until alignment indicator “I” is pointed to end of arrow. Pull to detach the trimmer head.

Install the attachment: Hold the appliance body then insert the trimmer head. Make sure the alignment indicator “I” is pointed to end of arrow. Rotate the head until alignment indicator “I” is pointed to lock indicator “●”.

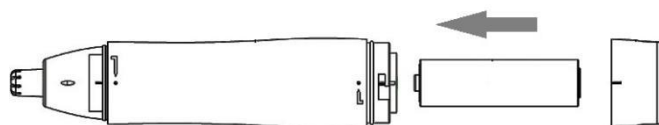


BATTERY INSTALLATION

1. Battery cover is locked when the alignment indicator “I” is pointed to “●”.
2. Rotate the battery cover, align “I” to end of arrow.
3. Pull to detach the battery cover.



4. Insert one AA battery according to the battery compartment instructions.
5. Close the battery cover, rotate to lock position.



OPERATIONS

CHOOSE ATTACHMENT

Nose and ear trimmer (1)

This attachment is suitable to trim nose and ears hair.

Gently and slowly insert the tip of the trimmer head in the entrance of the nose and ears.

WARNING! Do not insert it too deep to avoid injuries.

Clean the nostril and ear canal after trimming.

Eyebrow trimmer (3)

This trimmer attachment is suitable to trim facial hair and shape eyebrows.

Select the appropriate length of the double-side comb, attach to the facial trimmer.

Trim against the direction of eyebrows growth.

Long hair trimmer (4)

This attachment is suitable to trim long and thick hair, such as armpits, bikini line, sideburns etc.

Adjust the long hair trimmer to a suitable angle, place the trimmer blade against the hair you want to trim. Slide the trimmer blade gently and slowly against the direction of hair growth.

USE YOUR TRIMMER

1. Attach the desired trimming head on the main unit.
2. Push the switch to turn on the unit.
3. Lightly place the blade on the area you want to trim. Move the trimmer against the direction of hair growth.
4. Turn off the unit when finished.
5. Use the Cleaning Brush to remove hair residue from the trimmer head.

CLEANING AND MAINTENANCE

WARNING! Make sure the trimmer is switched OFF before cleaning.

- Clean the trimmer attachments with the cleaning brush provided or remove the trimmer attachments and rinse with water to remove hair residues.

CAUTION: Use cold or warm water, do not use hot water, sea water or cleaners, as they can cause damage to the waterproof seals.

- Wipe the trimmer housing with a damp cloth.

CAUTION: Never immerse the trimmer housing in water or any other liquids!

- Dry all the parts thoroughly.
- Store the appliance in a dry location and out of the reach of children.

BATTERY DISPOSAL

Batteries contain substances harmful to our environment. Do not dispose of the appliance with the battery inside. Remove the battery and hand it over to your local council recycling point for environmental protection.

SPECIFICATIONS

Battery type: 1 x AA battery required

Water Resistance: IPX4

12 Month Warranty

Thank you for your purchase.

Your new product is warranted to be free from defects in materials and workmanship for the period stated above, from the date of purchase, provided that the product is used in accordance with accompanying recommendations or instructions where provided. This warranty is in addition to your rights under the Australian Consumer Law.

For New Zealand customers, this warranty is in addition to statutory rights observed under New Zealand legislation.

We will provide you with your choice of a refund, repair (where possible) or exchange (availability dependent) for this product if it becomes defective within the warranty period. The business will bear the reasonable expense of claiming the warranty.

This warranty will no longer apply where the defect is a result of alteration, accident, misuse, abuse or neglect.

Please retain your receipt as proof of purchase and contact our Customer Service Centre as listed below, for the entity you purchased this product from, for any difficulties with your product. Warranty claims and claims for expense incurred in returning this product can be addressed to the respective Customer Service Centre.

Our goods come with guarantees that cannot be excluded under the Australian Consumer Law. You are entitled to a replacement or refund for a major failure and compensation for any other reasonably foreseeable loss or damage. You are also entitled to have the goods repaired or replaced if the goods fail to be of acceptable quality and the failure does not amount to a major failure.

Contact for Kmart purchases	Contact for Target purchases
Kmart Australia Ltd. C/- Customer Service Centre 690 Springvale Road, Mulgrave Vic 3170 Customer Service: 1800 124 125 (Australia) or 0800 945 995 (New Zealand) or via Customer Help at kmart.com.au	Target Australia Pty Ltd C/- Customer Service Centre 2 Kendall Street, Williams Landing, Vic, 3027 Customer Service: 1300 753 567 or via Customer Help at target.com.au/help/contact-us