

Assembly Instructions

43266791 TIMBER RATTAN LOUNGE CHAIR

CARE INSTRUCTIONS:



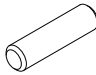




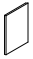
WIPE CLEAN WITH A DAMP CLOTH. DO NOT USE ABRASIVE MATERIALS AND SOLVENTS. CHECK AND TIGHTEN ALL PARTS REGULARLY. STORE IN A DRY PLACE.

WARNING:

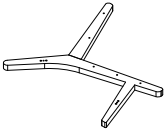
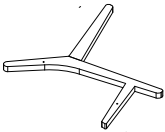
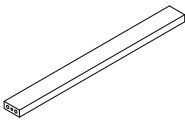
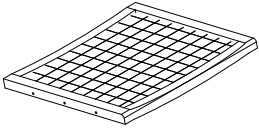
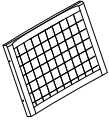
DO NOT STAND ON THIS CHAIR. DO NOT USE THIS CHAIR AS A STEP LADDER. SUITABLE FOR ONE PERSON USE ONLY. ONLY USE ON EVEN AND FLAT SURFACES. FOR INDOOR AND DOMESTIC USE ONLY. ADULT ASSEMBLY REQUIRED. DO NOT TIGHTEN THE SCREWS FULLY DURING ASSEMBLY. FULLY TIGHTEN SCREWS AFTER THE FINAL ASSEMBLY STEPS. FAILURE TO FOLLOW THESE WARNINGS COULD RESULT IN SERIOUS INJURY.

MAXIMUM SAFE LOAD: 100KG.

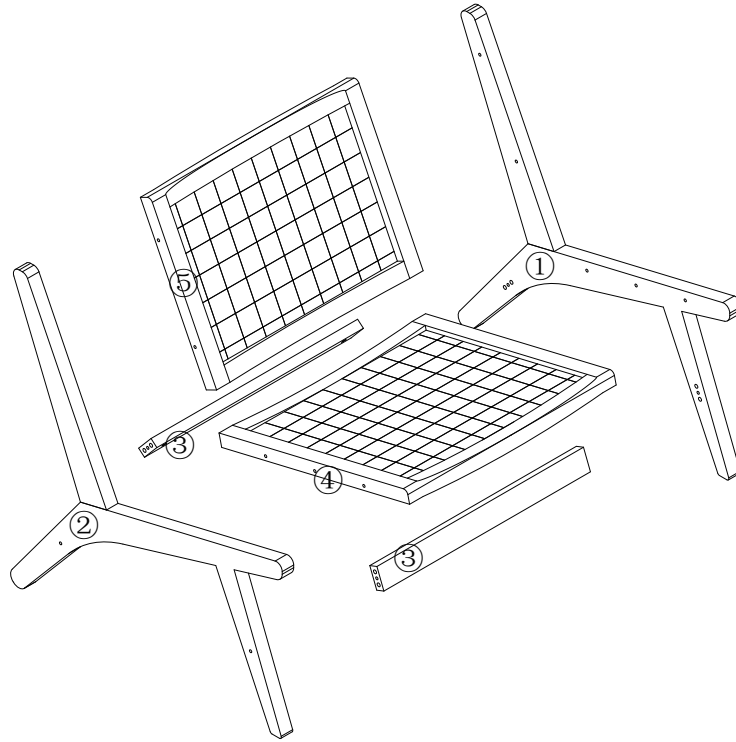
1 Hardware List

	A	6x80mm	4PCS		B	6x50mm	10PCS		C		8PCS
	D		4PCS		E		14PCS		F		14PCS
	G		1PC		H		4PCS				

2 Parts List

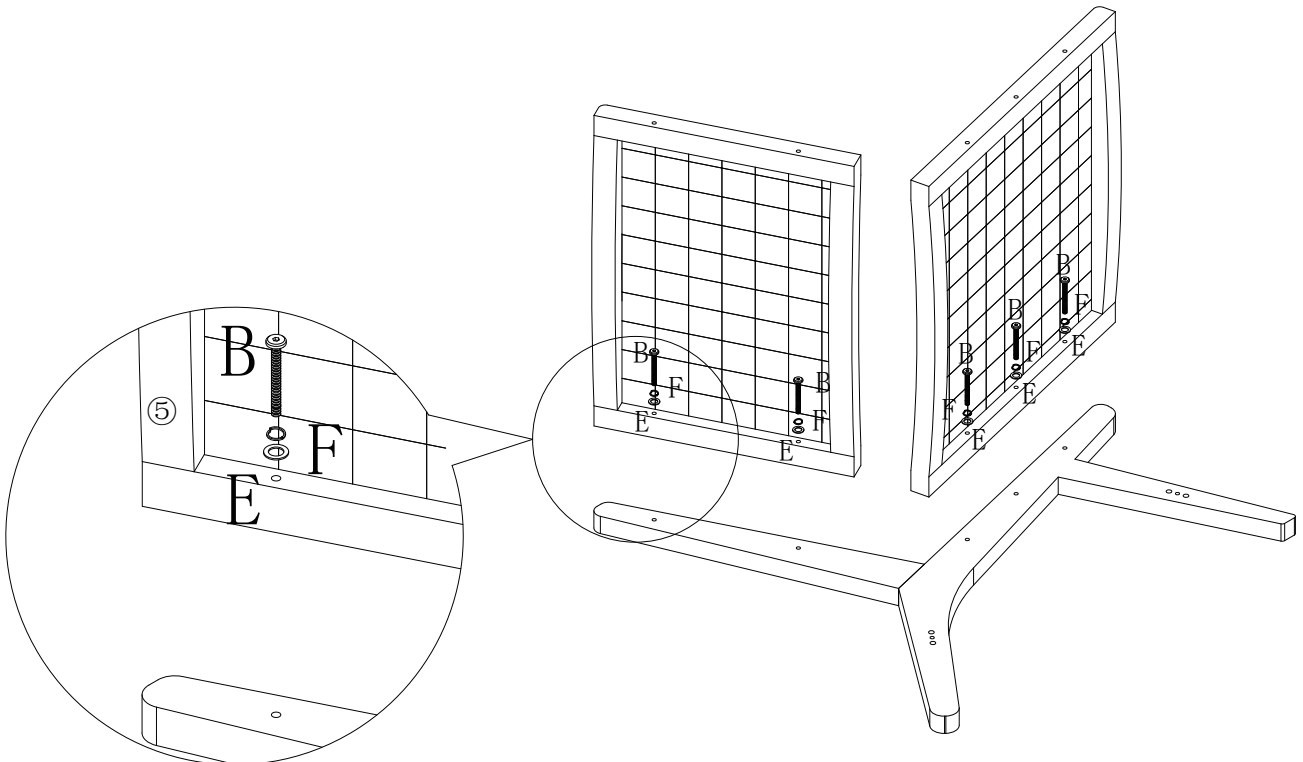
							
①	1pc	②	1pc	③	2pcs	④	1pc
							
⑤	1pc						

3

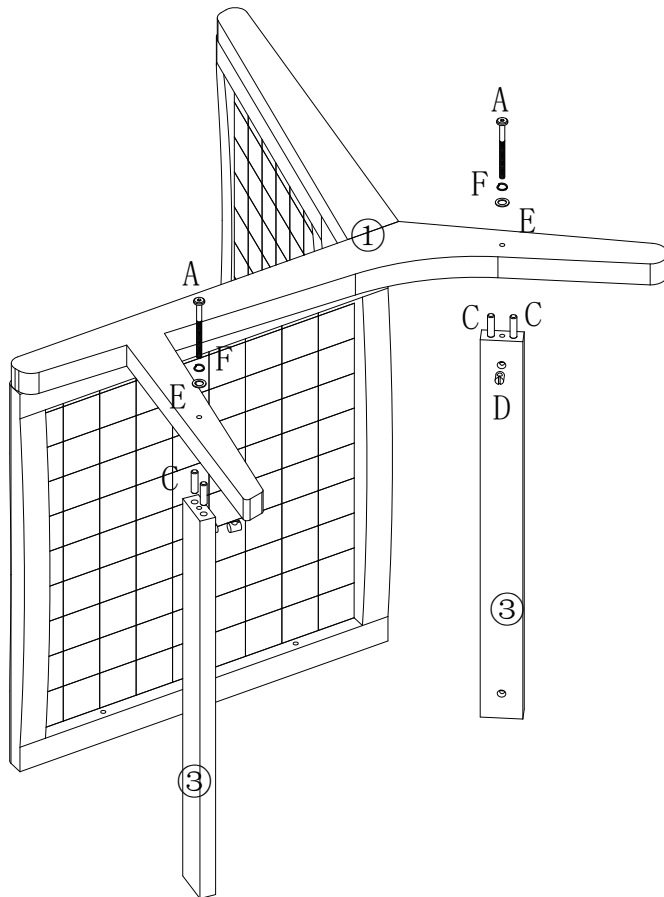






**DO NOT TIGHTEN THE SCREWS FULLY DURING ASSEMBLY.
FULLY TIGHTEN SCREWS AFTER THE FINAL ASSEMBLY
STEPS.**

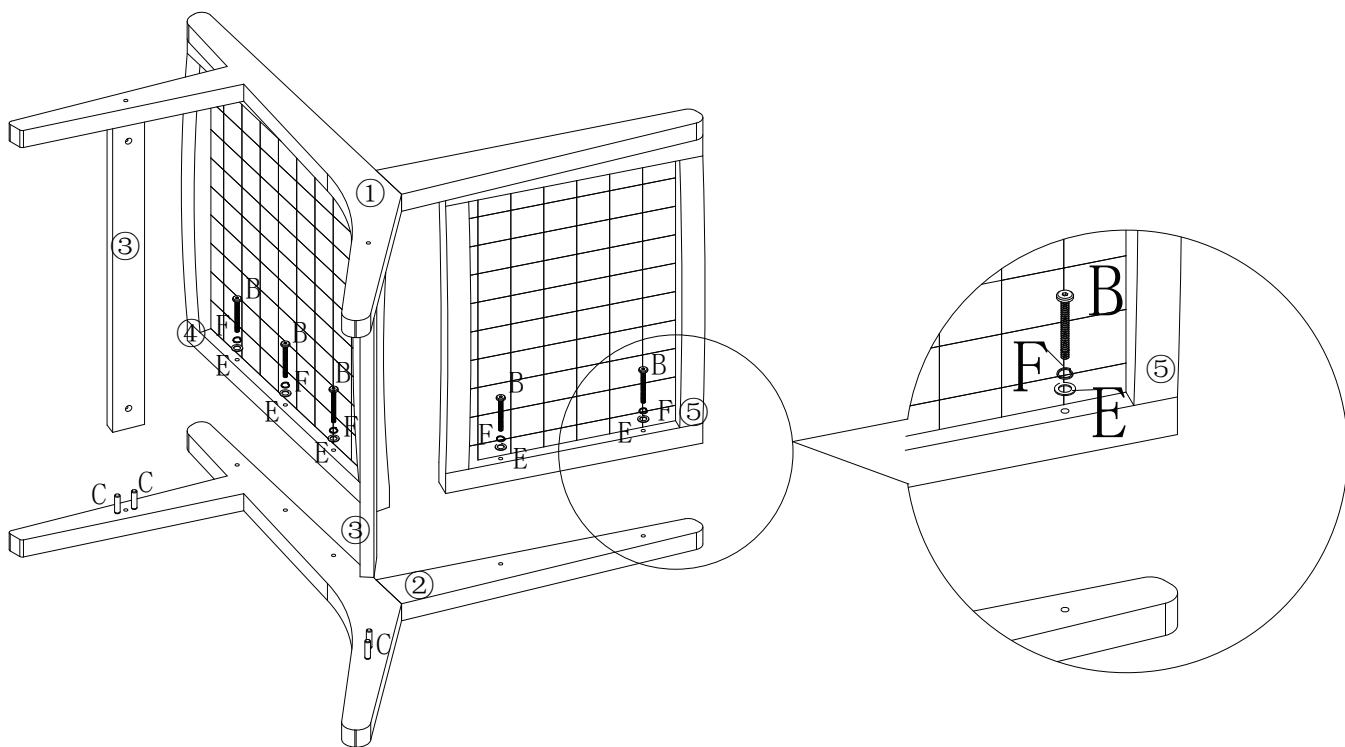
STEP 1 B -  x 5 E -  x 5 F -  x 5



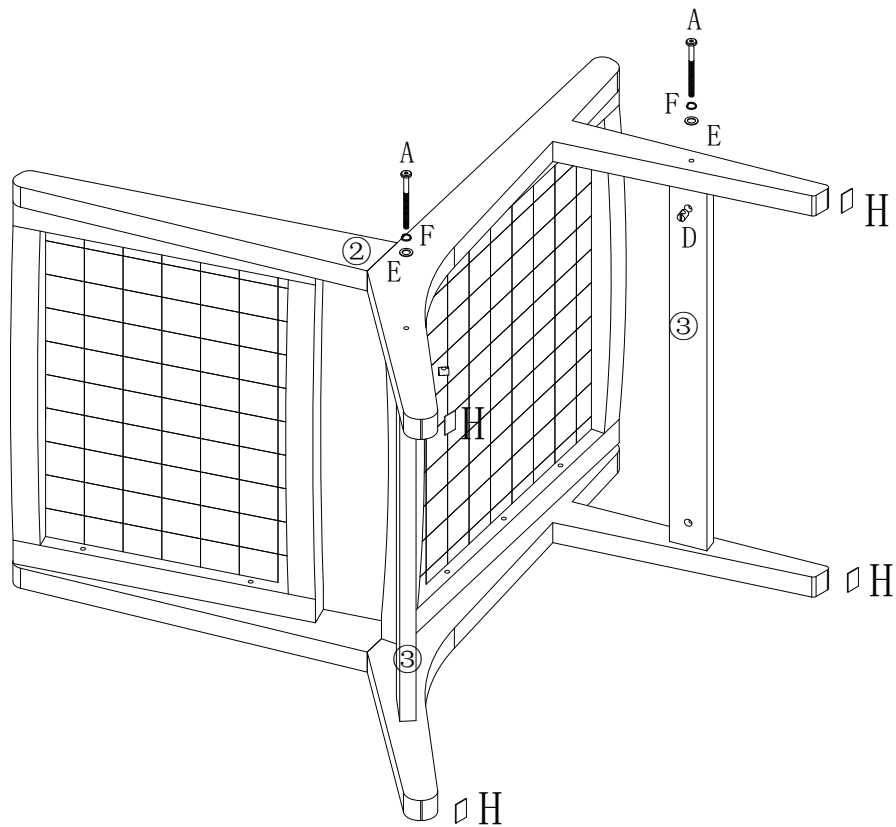
STEP 2 A-x2 C-x4 D-x2 E-x2 F-x2



STEP 3 B-x5 C-x4 E-x5 F-x5



STEP 4 A -  x 2 D -  x 2 E -  x 2 F -  x 2 H -  x 4



STEP 5

