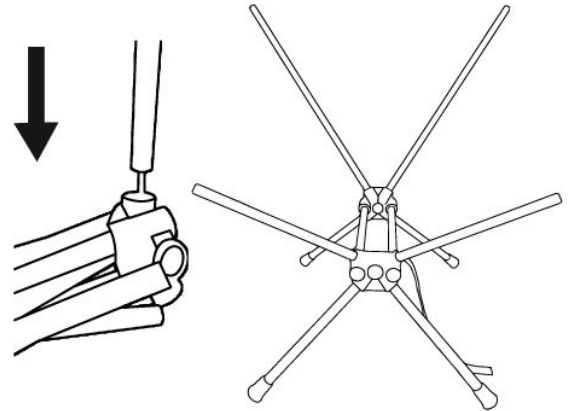
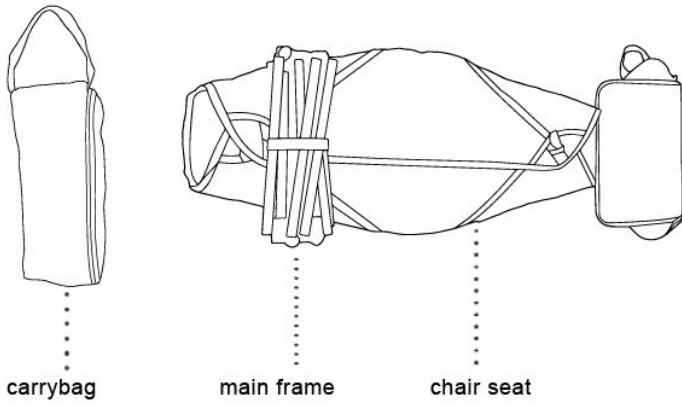


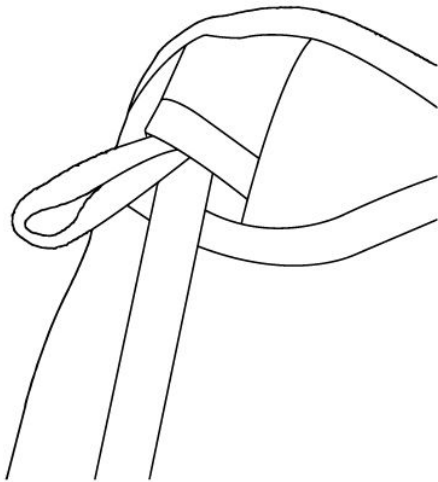
# 140\*210mm 2023-4-25

## INSTRUCTION



Step 1: Unzip the carrybag, take all component parts out.

Step 2: Insert all tubes into the plastic parts. main frame is set up.



Step 3: Set up by pulling the corner loops and insert the tubes into fabric corner.

Now the backpacking chair is ready for use.