

Assembly Instructions







43270033 5 WIRE DRAWER UNIT

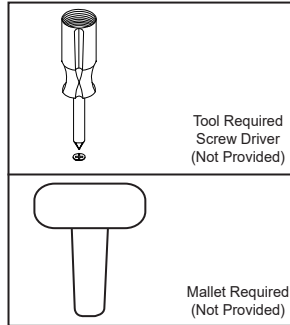
ATTENTION:

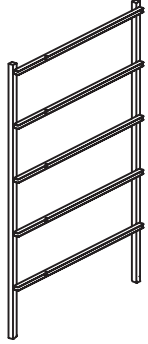
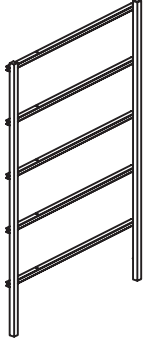
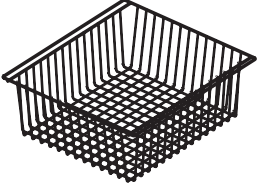


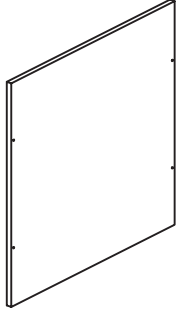
While assembling part ④ and ⑤ and using a mallet, plastic chips may be released, this is normal and should not be of concern. Place either cardboard or a blanket on the floor so that both the floor and the drawer unit will be protected during assembly.

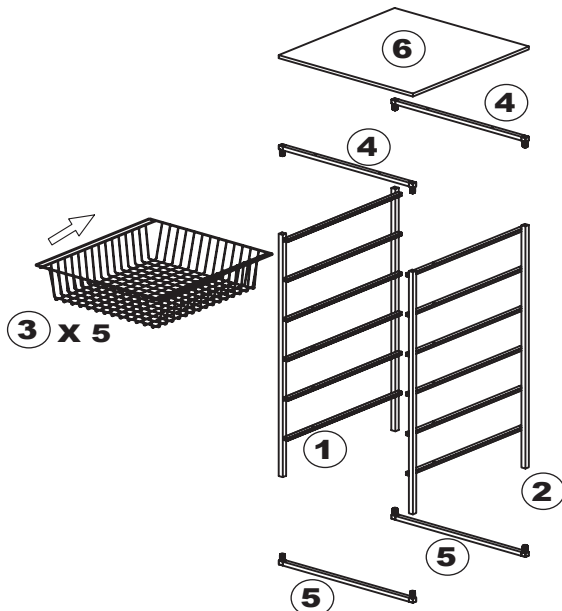
MAXIMUM SAFE LOADING WEIGHT: 10KG FOR TOP PANEL, 5KG FOR EACH DRAWER.

Hardware list

	a	Screw	10PCS
	b	Nut	10PCS
	c	Screw	6PCS
	d	Stopper	4PCS
	e	Wall Plug	2PCS
	f	Wall Plug	2PCS



			
① 1PC	② 1PC	③ 5PCS	④ 2PCS
			
⑤ 2PCS	⑥ 1PC		



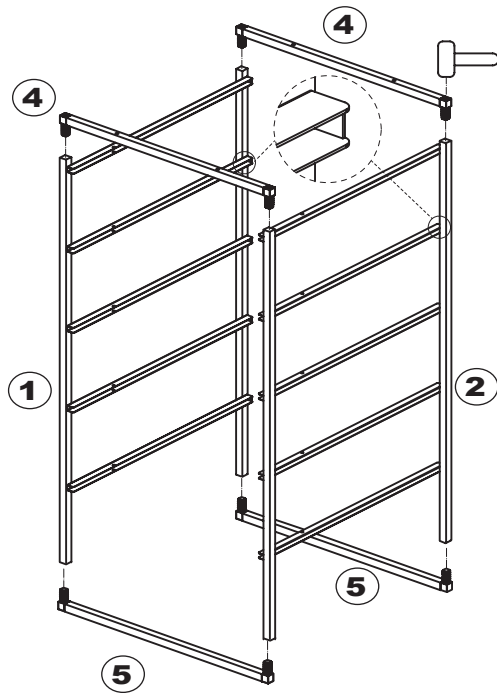
DO NOT TIGHTEN THE SCREWS UNTIL THE PRODUCT IS FULLY ASSEMBLED. FOR INDOOR USE ONLY.



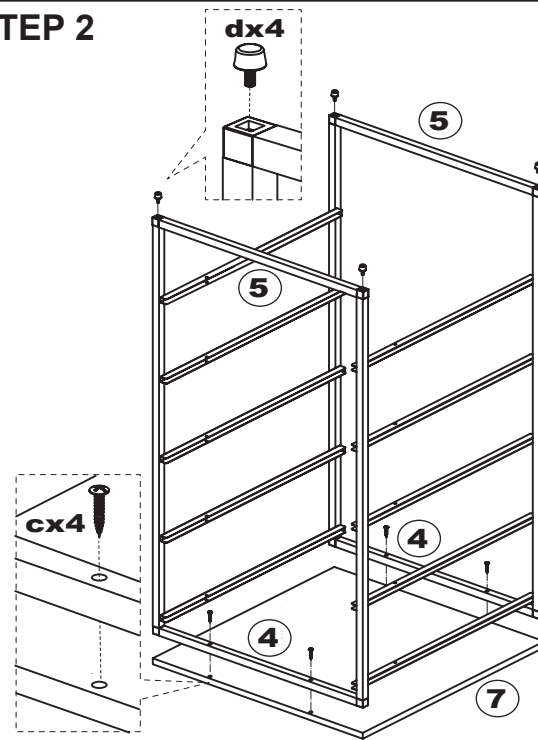
WARNING: PLEASE SECURE YOUR FURNITURE WITH THE SUPPLIED WALL FIXING. SCAN THE CODE FOR MORE INFORMATION.



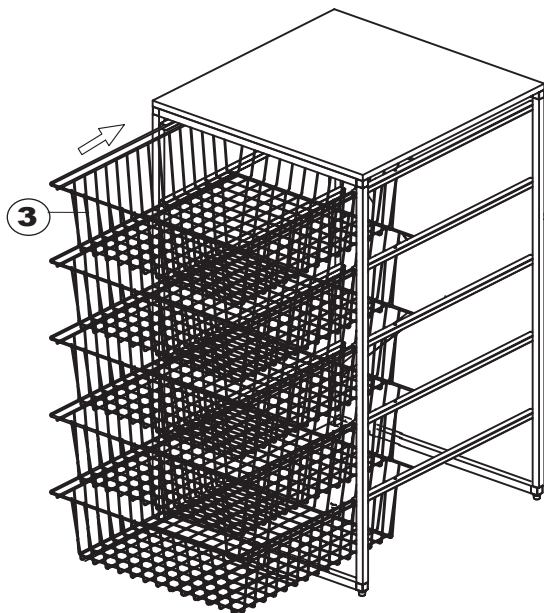
STEP 1



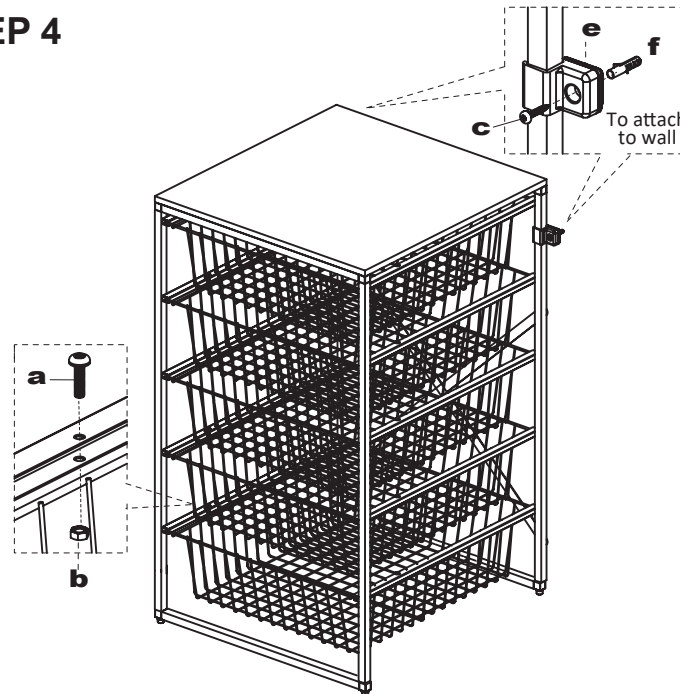
STEP 2



STEP 3



STEP 4



Warning:

- It is strongly recommended that this product is permanently fixed to the wall.
- Please seek professional advice if you are in doubt of what fixing device to use.
- Regularly check that anchors are securely maintained.
- Use safety drawer locks to prevent children climbing
- Stability of tall items may be affected by thick pile carpet or uneven floors.
- Do not place unanchored televisions on furniture.

CAUTION: for your safety when attaching the anchor fixings, please note the following:

- Check any electrical wires or plumbing inside the wall before drilling any holes. (if you are unsure please seek professional advice from a qualified tradesperson)