

Assembly Instructions

43270620 BLAKE 3 TIER LONG BOOKSHELF

CARE INSTRUCTIONS:









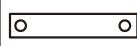



WIPE CLEAN WITH A SOFT DAMP CLOTH. NEVER USE SCOURERS, ABRASIVES OR CHEMICAL SOLVENTS. KEEP AWAY FROM MOISTURE AND DIRECT SUNLIGHT. STORE IN A DRY PLACE. FOR INDOOR USE ONLY.

WARNING:

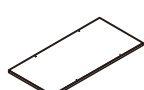
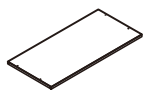



DO NOT STAND, SIT OR LEAN ON THE UNIT. DO NOT USE THIS UNIT AS A STEP LADDER. ENSURE THIS UNIT IS USED ONLY ON A FLAT SURFACE. DO NOT USE THIS UNIT UNLESS ALL BOLTS AND SCREWS ARE FIRMLY SECURED. DO NOT PLACE HOT OBJECTS SUCH AS COFFEE CUPS DIRECTLY ON THE SURFACE OF THIS FURNITURE ITEM. THIS ITEM IS FOR STORAGE PURPOSES ONLY. CONTAINS SMALL PARTS. IT IS TO BE ASSEMBLED BY AN ADULT. FAILURE TO FOLLOW THESE WARNINGS COULD RESULT IN SERIOUS INJURY.

MAXIMUM SAFE LOAD: TOP: 20KG, SHELF: 10KG.

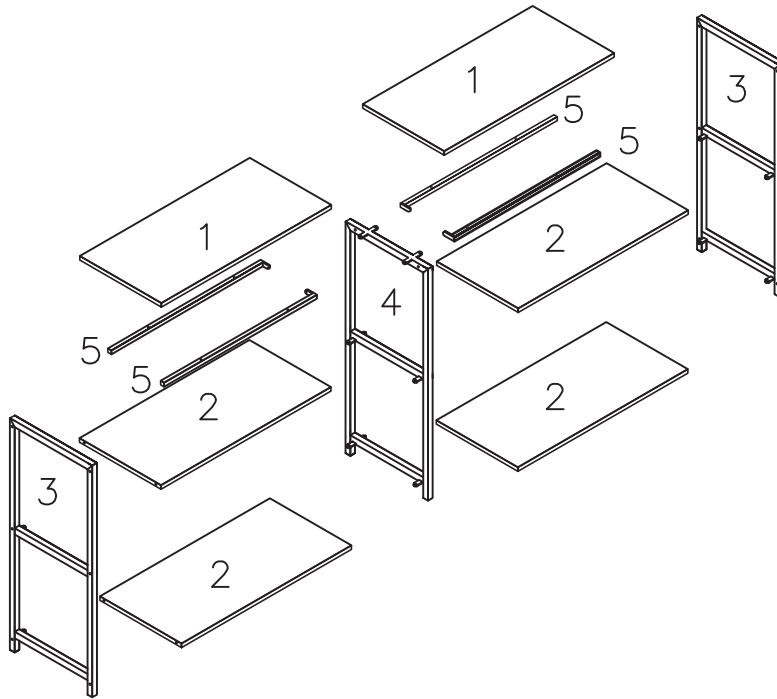
1 Hardware List

	A	M5x40mm	8pcs		B	M6x35mm	6pcs		C	M6mm	2pcs
	D	4x12mm	20pcs		E	4x25mm	8pcs		F	M4mm	1pc
	G	M4X35mm	2pcs		H		2pcs		I		2pcs
	J		1pc		K	M3mm	1pc		L	6x30mm	2pcs

2 Parts List

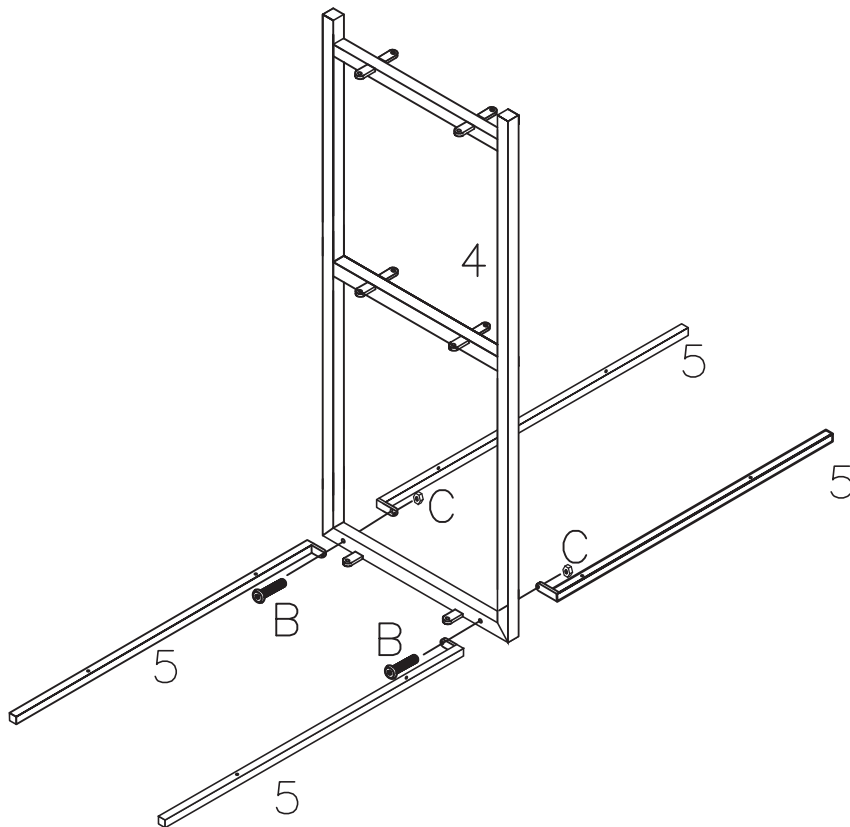
									
①	2pcs	②	4pcs	③	2pcs	④	1pc	⑤	4pcs

3

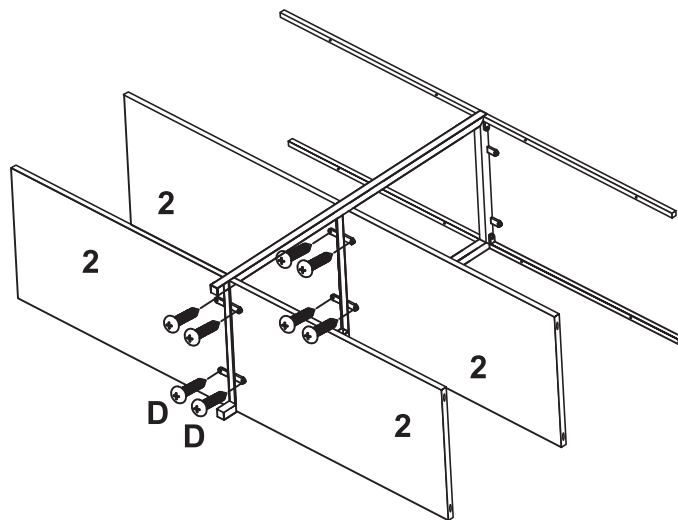


ATTENTION:
DO NOT TIGHTEN THE SCREWS FULLY
DURING ASSEMBLY. FULLY TIGHTEN
SCREWS AFTER THE FINAL ASSEMBLY
STEP.

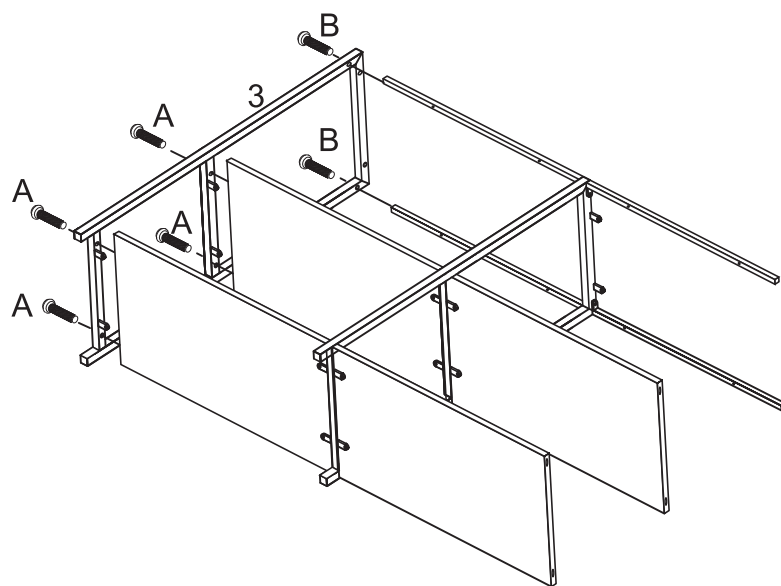
STEP 1 **B-**  x2 **C-**  x2



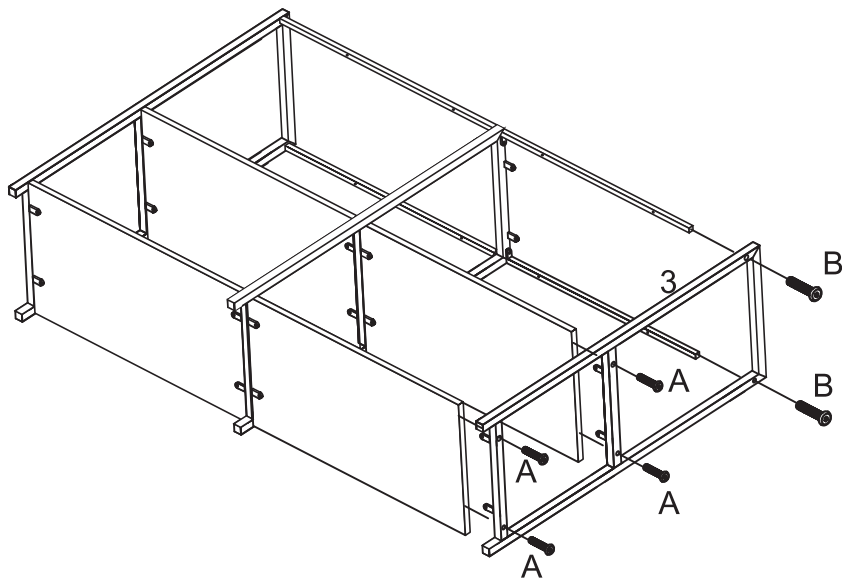
STEP 2 **D-**  x8



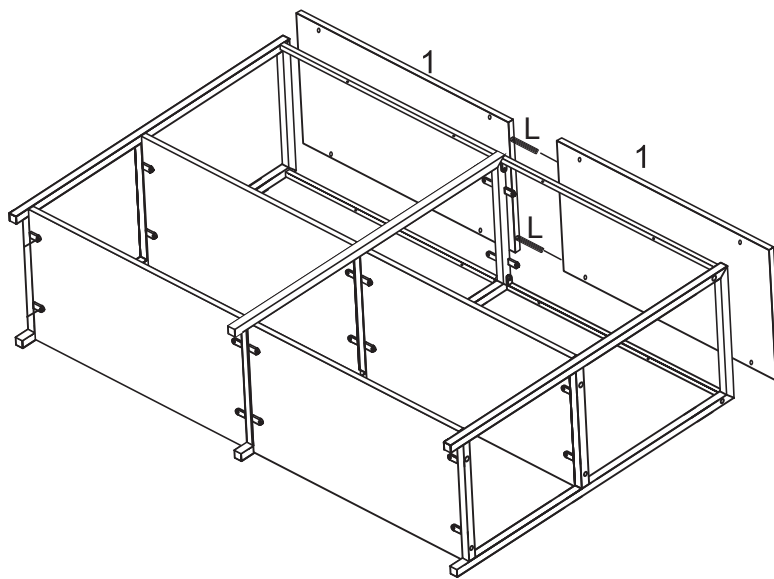
STEP 3 **A-**  x4 **B-**  x2



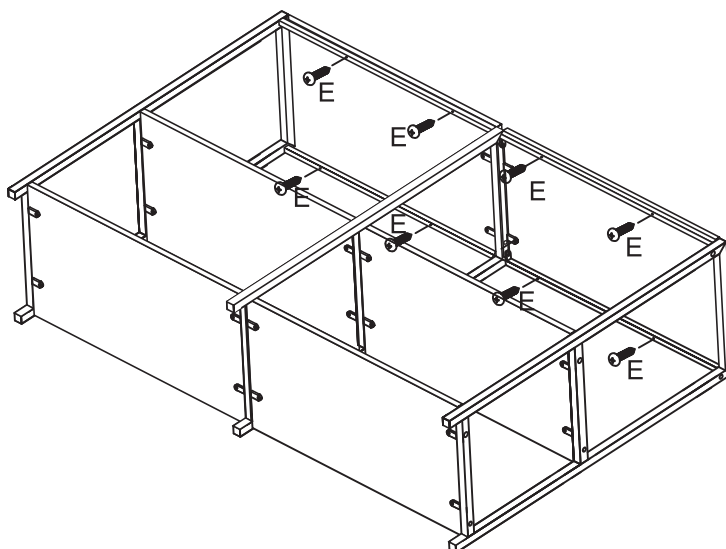
STEP 4 **A-**  x4 **B-**  x2



STEP 5 **L-**  x2

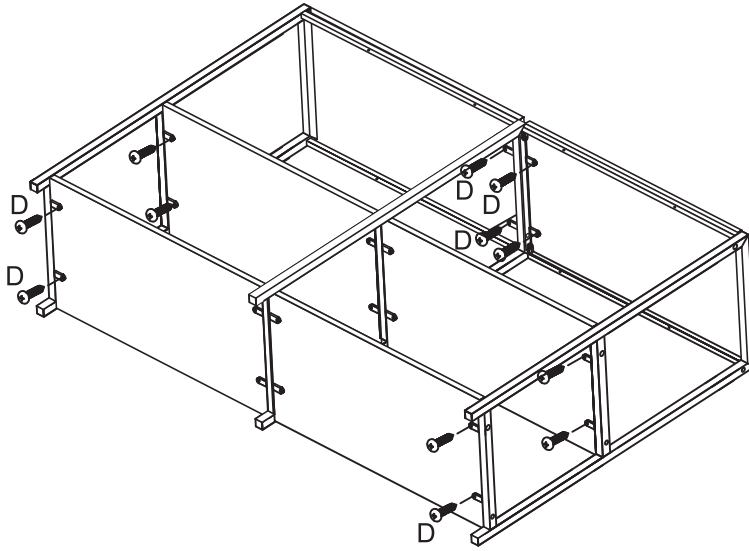


STEP 6 **E-**  x8



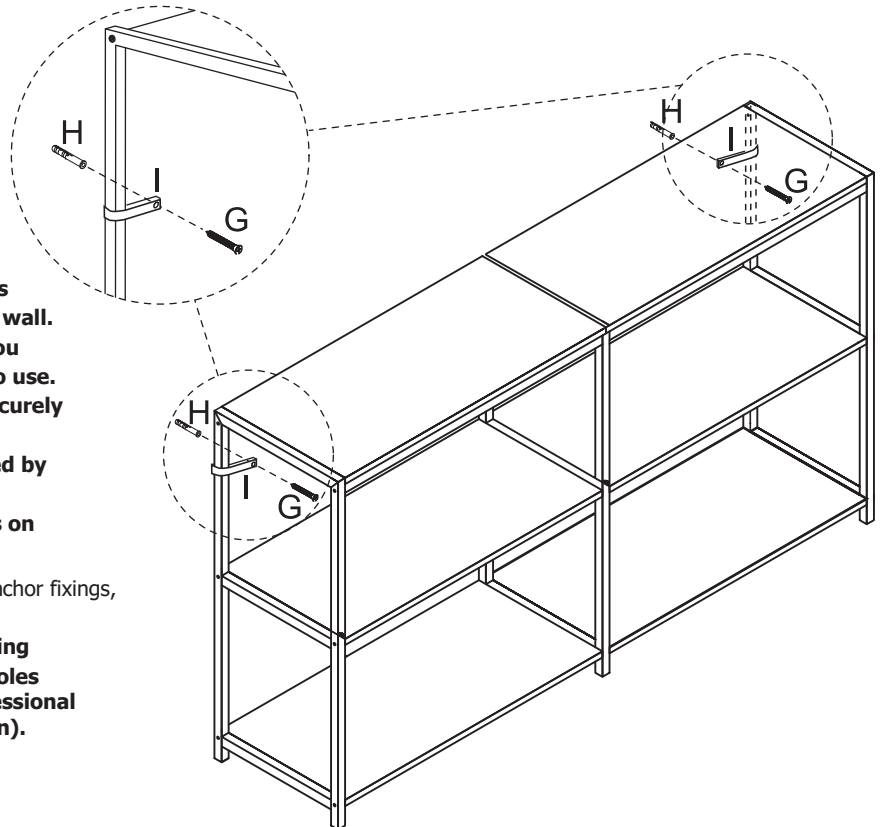
STEP 7

D-  x12



STEP 8

G-  x2 H-  x2 I-  x2



TOPPLING FURNITURE WARNING:

- It is strongly recommended that this product is permanently fixed to the wall.
- Please seek professional advice if you are in doubt of what fixing device to use.
- Regularly check that anchors are securely maintained.
- Stability of tall items may be affected by thick pile carpet or uneven floors .
- Do not place unanchored televisions on furniture .

CAUTION: for your safety when attaching the anchor fixings, please note the following:

- Check any electrical wires or plumbing inside the wall before drilling any holes (if you are unsure please seek professional advice from a qualified tradesperson).



WARNING: PLEASE SECURE YOUR FURNITURE WITH THE SUPPLIED WALL FIXING. SCAN THE CODE FOR MORE INFORMATION.

