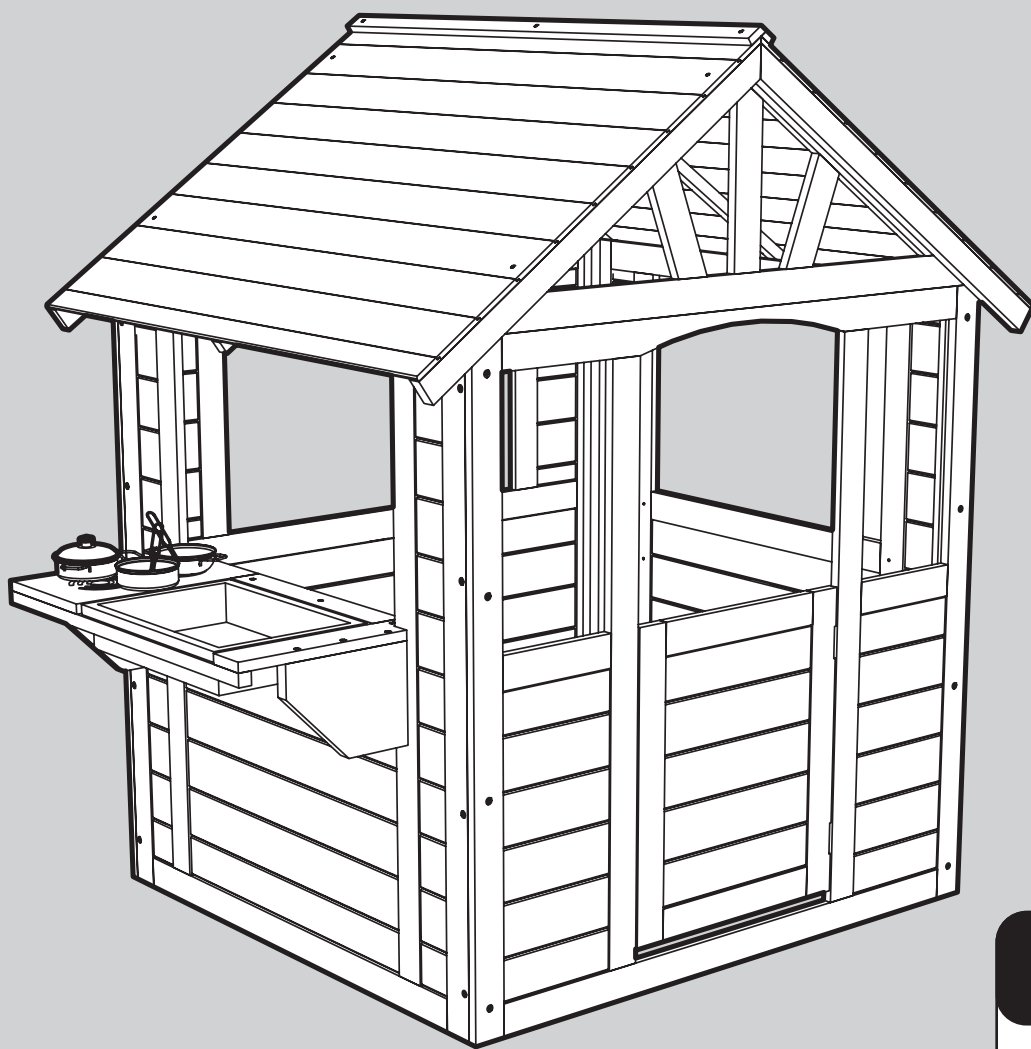




# Wooden Cubby House with Kitchen

622U

3y+



### IMPORTANT INFORMATION

A suitable wood stain or preservative must be applied before assembly.

Instructions for assembly, maintenance and safe use.



x2 Person build



1hr Build time



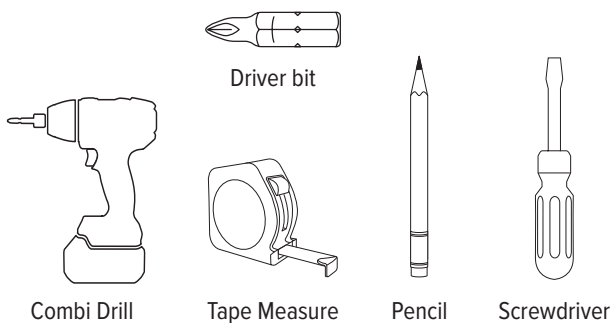
## WARNINGS!

- THIS PRODUCT CONTAINS SMALL PARTS AND SHARP POINTS. IT IS NOT SUITABLE FOR CHILDREN UNDER 36 MONTHS.
- THIS PRODUCT IS INTENDED FOR USE BY CHILDREN AGED 3+ YEARS.
- ONLY FOR DOMESTIC USE. FOR OUTDOOR USE ONLY.
- TOY MUST BE ASSEMBLED BY AN ADULT BEFORE USE.
- CHILDREN MUST NOT USE THIS PRODUCT UNTIL PROPERLY INSTALLED.
- ADULT SUPERVISION REQUIRED.
- REMOVE ALL PACKAGING BEFORE GIVING TO YOUR CHILDREN.
- RETAIN PACKAGING FOR FUTURE REFERENCE.
- PLEASE RETAIN INSTRUCTIONS AS IT CONTAINS IMPORTANT SAFETY INFORMATION.
- MAXIMUM USERS: 2
- 30KGS FOR 1 USER, TOTAL WEIGHT 60KGS FOR USERS.
- POTS AND PANS FOR USE IN ROLE PLAY ONLY.
- WATER MAY BECOME CONTAMINATED - EMPTY WATER AFTER EACH USE.
- DO NOT SIT ON, OR OVERLOAD THE WORKTOP.

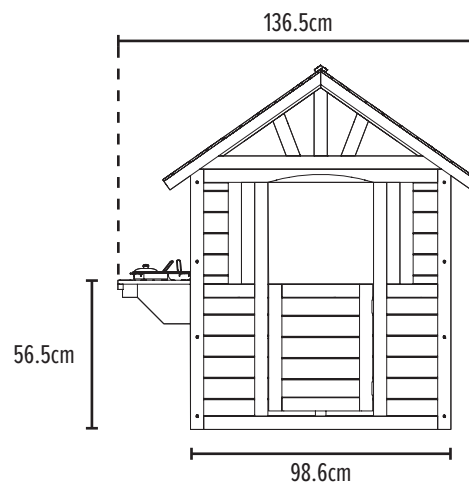
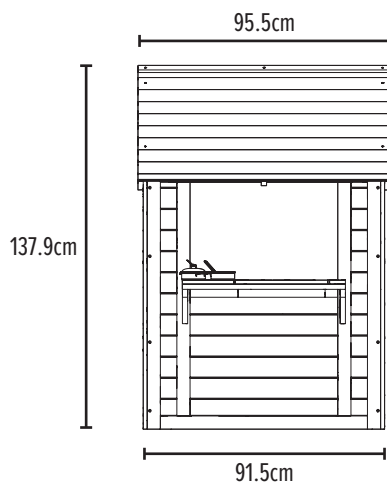
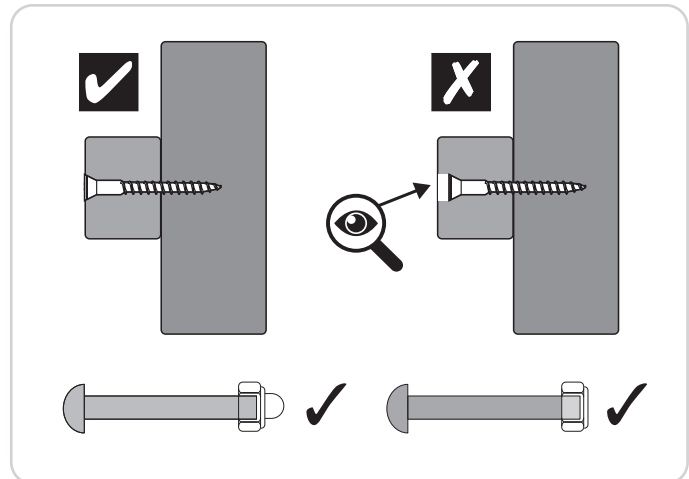
### INSTRUCTIONS FOR ASSEMBLY, MAINTENANCE AND SAFE USE.

PLEASE RETAIN THIS INFORMATION FOR FUTURE REFERENCE.

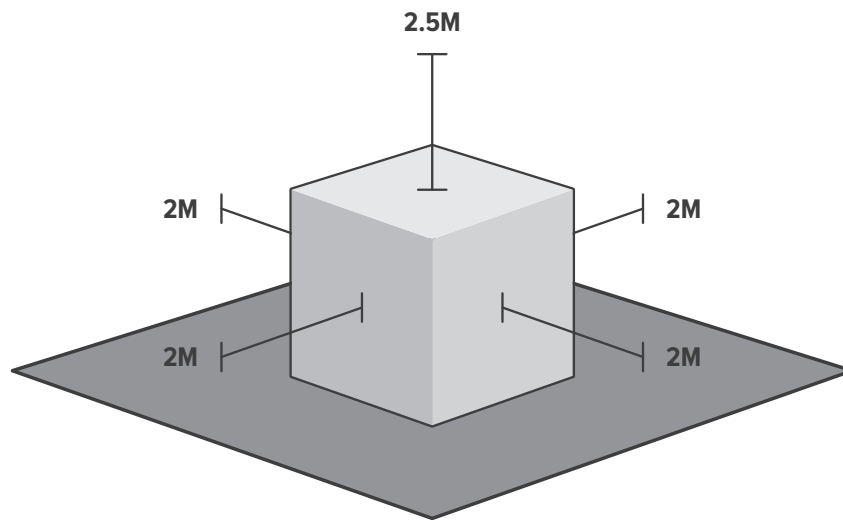
1. Toy must be assembled by an adult before use exactly in accordance with the instructions.
2. Children must not use this product until properly installed.
3. Check all parts are present before you start to assemble the product. Place small parts on a tray or similar to ensure they are not lost. The manufacturing process can very occasionally result in sharp edges/waste material so please take care when assembling this product.
4. If any parts are missing do not use the product until the replacement parts are fitted.
5. Ensure your product is sited on level ground. Failure to do this may put additional stress on connections and joints and in time could cause them to fail.
6. Ensure your product is located on a soft impact surface like grass. Never locate your product on hard surfaces like concrete.
7. Avoid locating this product in full sun.
8. Remove all packaging before giving to your children.
9. Equipment should be checked by an adult at the beginning of each season and at regular intervals during the usage season to ensure it is safe. Pay special attention to all connections and fastenings.
10. Parts may need to be replaced if they show signs of wear and tear. Replace any defective parts in accordance with these instructions.
11. Due to the natural characteristics of timber, it is vital to check your product regularly for splintering, lifting of surface layers of wood or exposure of rough wood. Affected areas must be rubbed down using coarse sandpaper to restore a smooth, safe surface.
12. Any changes to this toy eg changing or adding an accessory, must be done in accordance with our instructions. Failure to do this will render your guarantee null and void and may make your product unsafe.
13. Ensure children's clothing is appropriate for the play activity.
14. Never place toys near a fire.
15. In high winds, ensure outdoor toys are moved to a sheltered position and/or securely staked down.
16. The age recommendation for this product is clearly stated on the packaging and in these instructions. Please adhere to it at all times. Adult supervision is required at all times to ensure children play safely.
17. When you dispose of this equipment please do so responsibly.



**NOT INCLUDED**



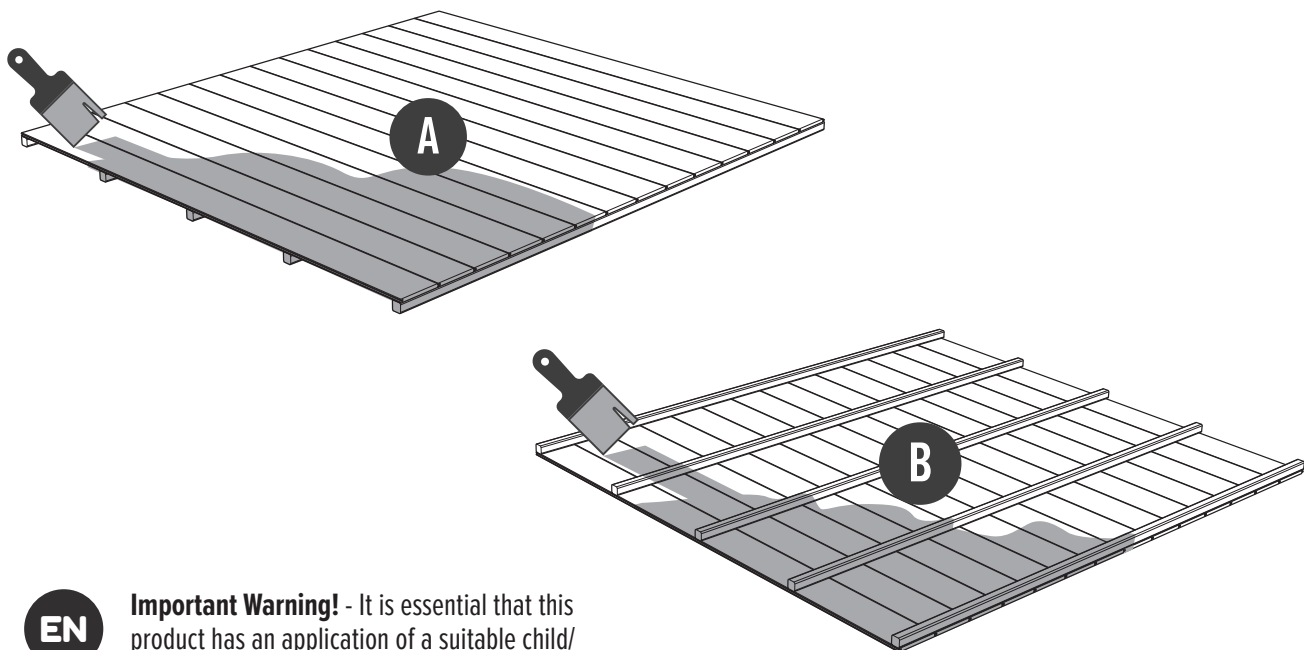
# Safe Play Area



The safe play area refers to the zone extending 200cm around the toys on all sides and 250 cm above the toy. The safe play area must be free from all obstacles.

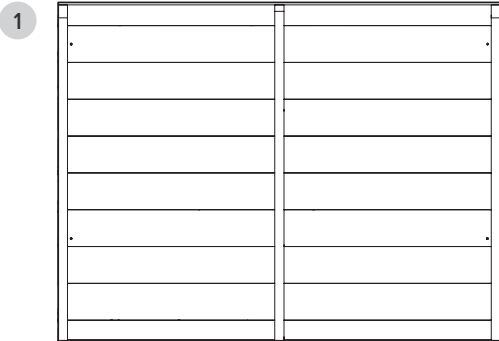
# Wood Treatment

Wood treatment not supplied

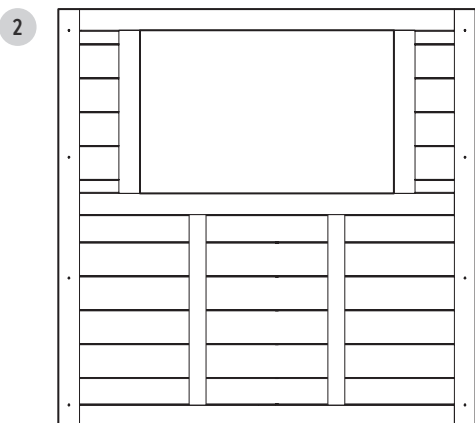


**Important Warning!** - It is essential that this product has an application of a suitable child/ environmentally friendly wood treatment before being assembled. Treat all panels - on all sides.

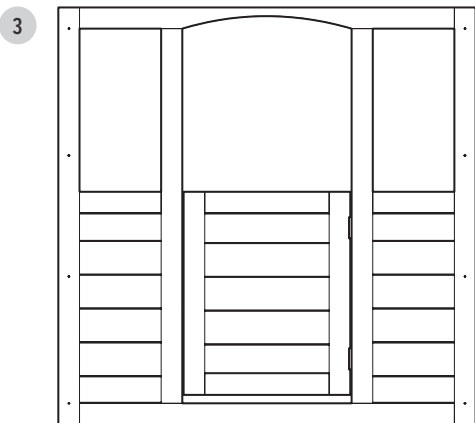
# Contents



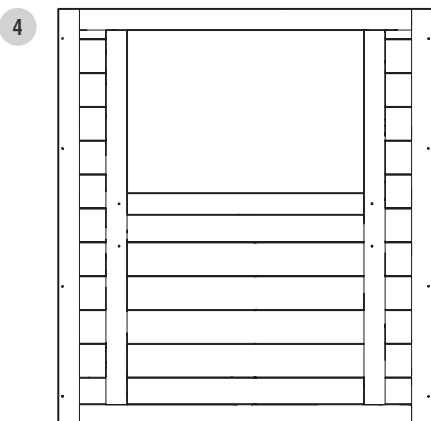
WP2054 x2



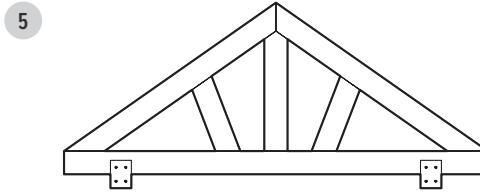
WP2055 x1



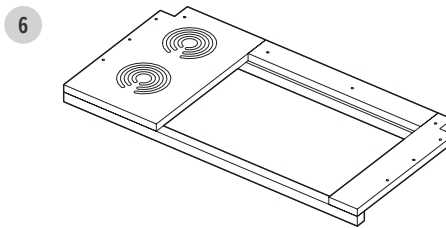
WP2056 x1



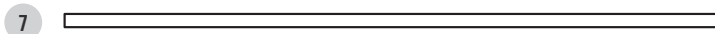
WP2057 x2



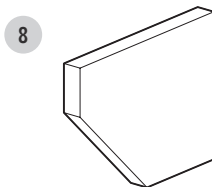
WP2058 x2



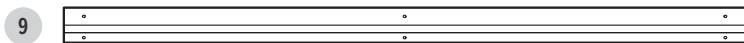
WP2059 x1



MW2185 x4



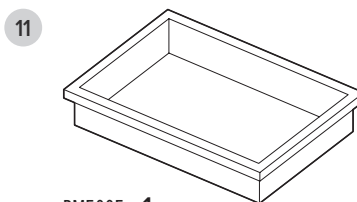
MW2186 x2



MW2187 x1

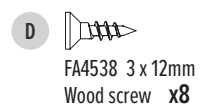


FC0035 x1

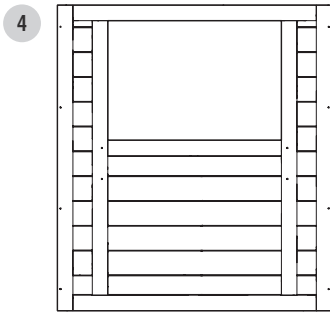


PM5005 x1

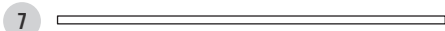
## SP3622



# 1



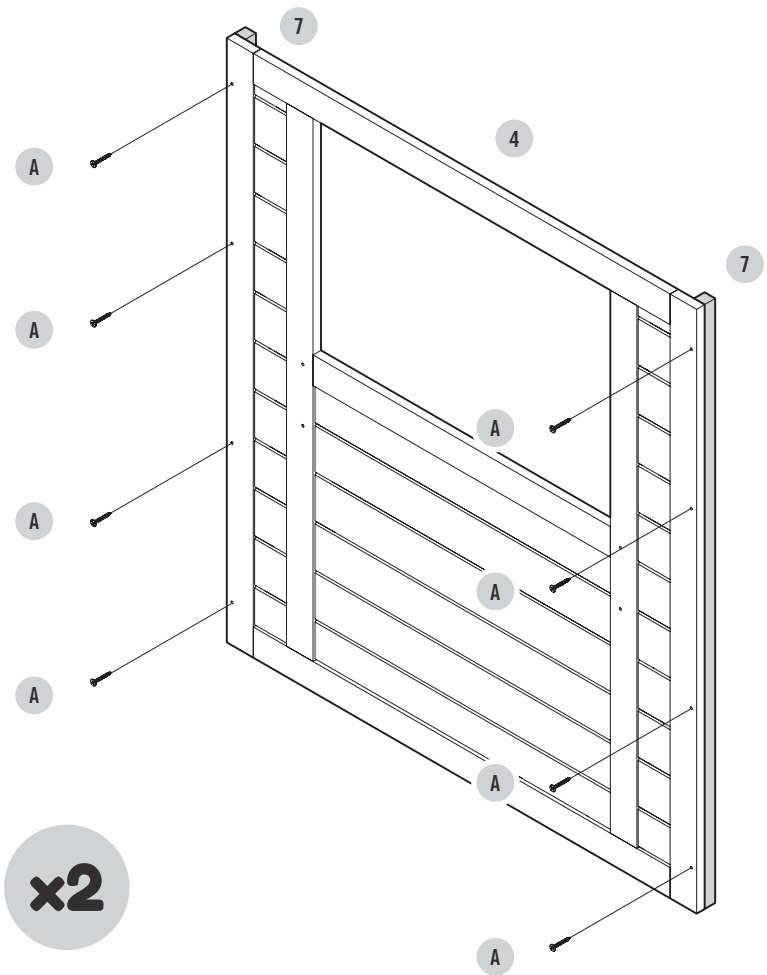
WP2057 x2



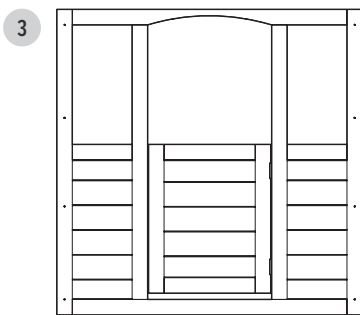
MW2185 x4



FA4519 4 x 30mm  
Wood screw x16



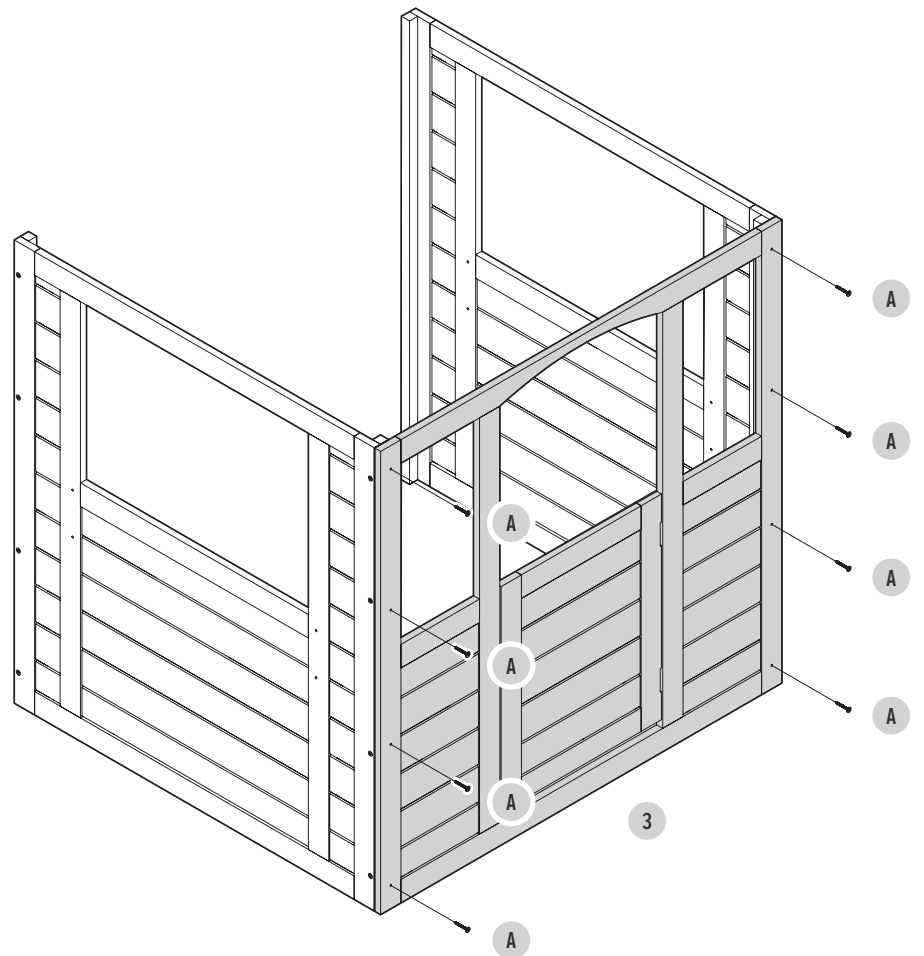
# 2



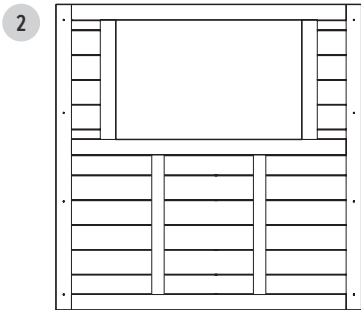
WP2056 x1



FA4519 4 x 30mm  
Wood screw x8



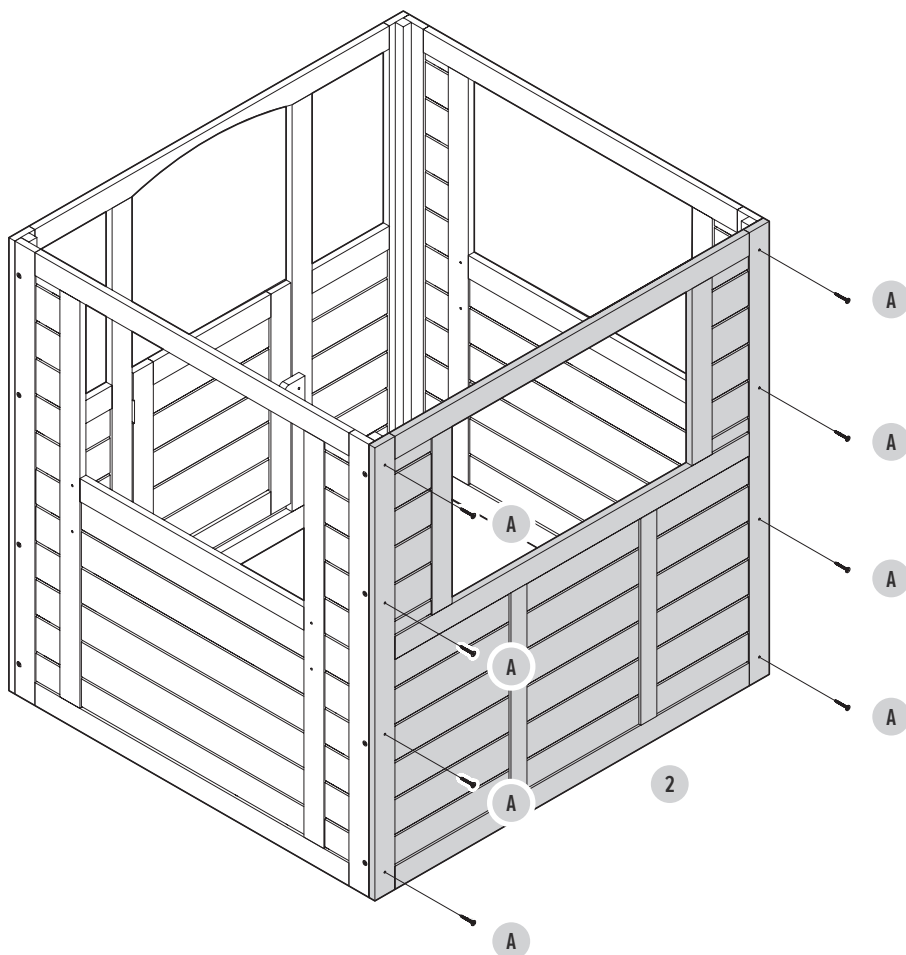
# 3



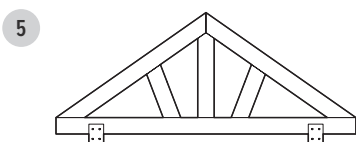
WP2055 x1



FA4519 4 x 30mm  
Wood screw x8



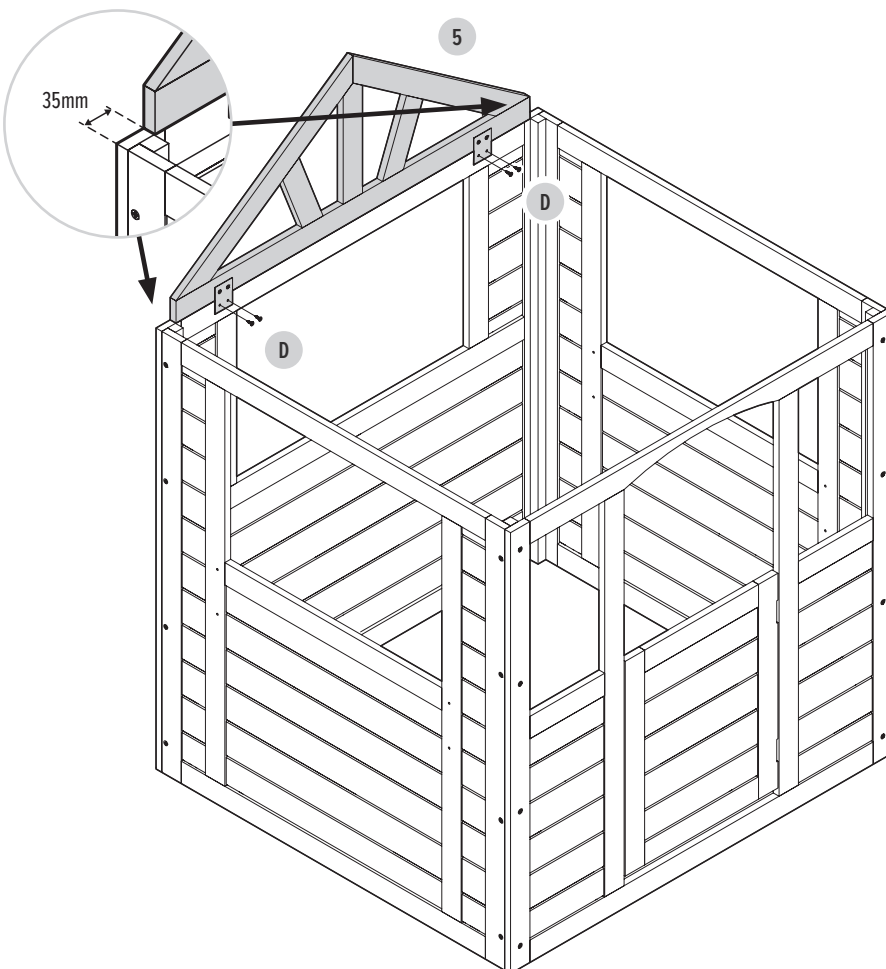
# 4



WP2058 x1

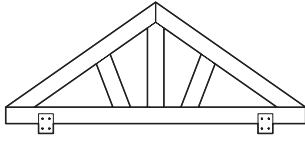


FA4538 3 x 12mm  
Wood screw x4



# 5

5

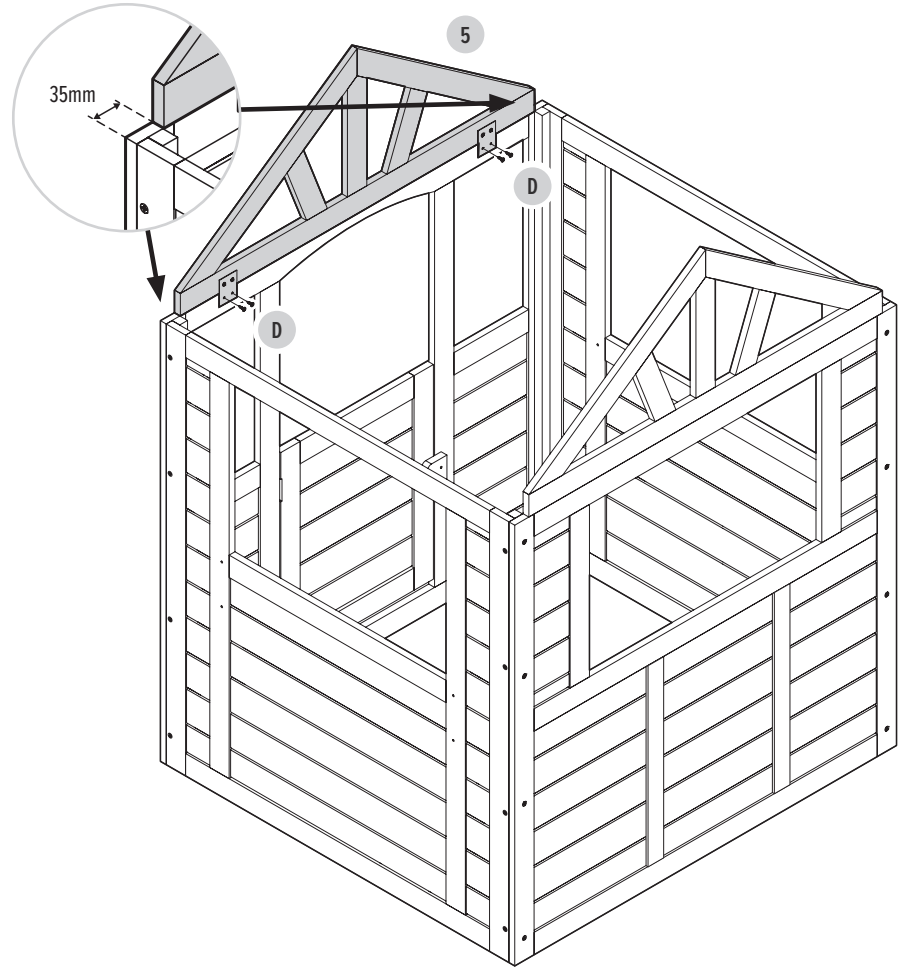


WP2058 x1

D

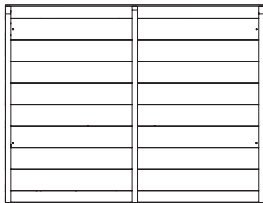


FA4538 3 x 12mm  
Wood screw x4



# 6

1

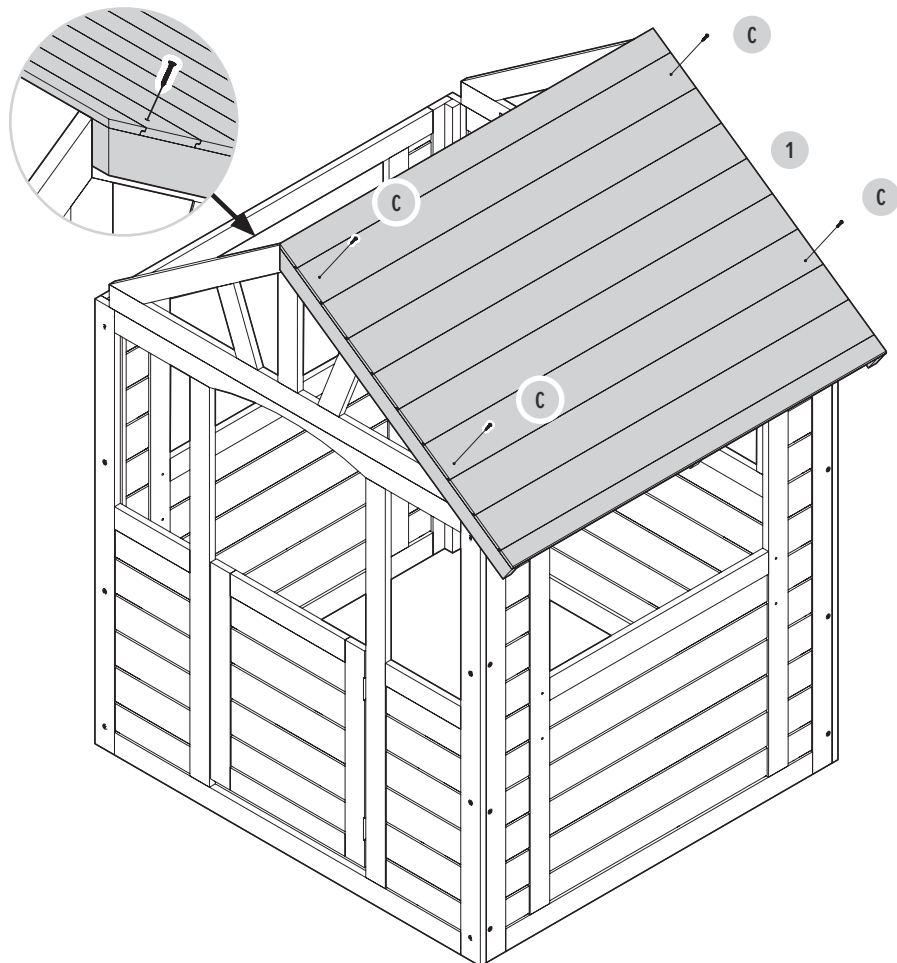


WP2054 x1

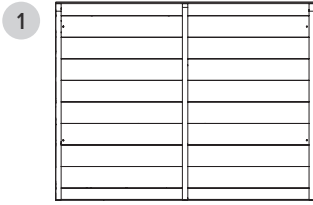
C



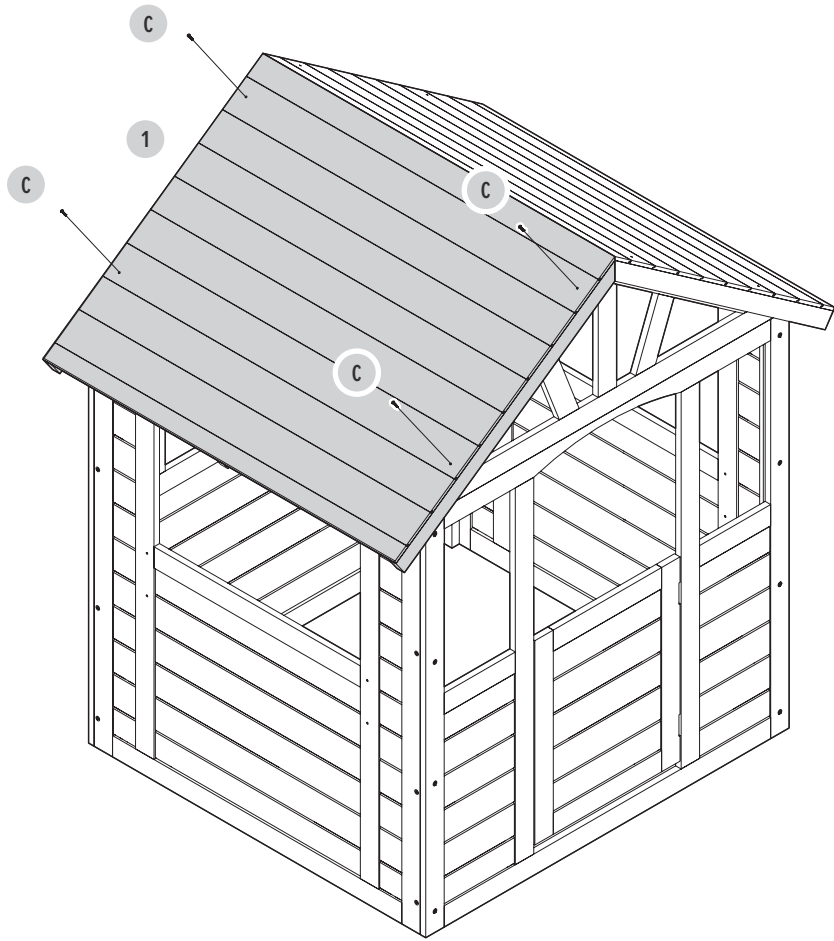
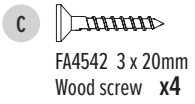
FA4542 3 x 20mm  
Wood screw x4



# 7



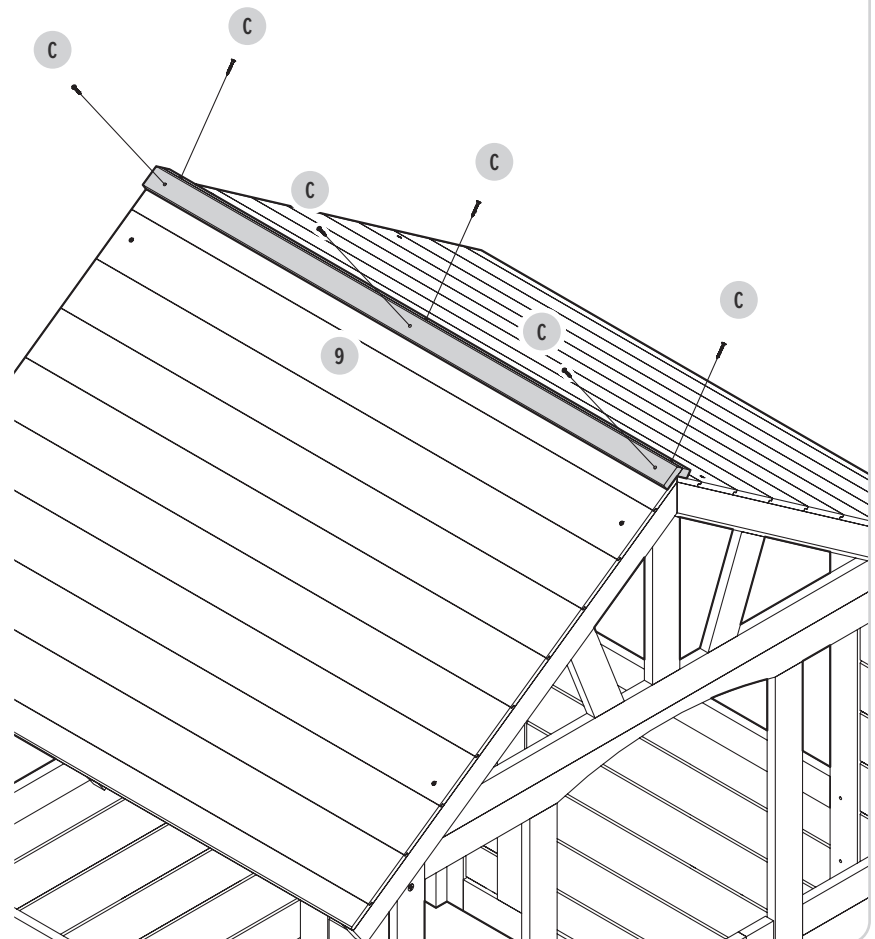
WP2054 x1



# 8

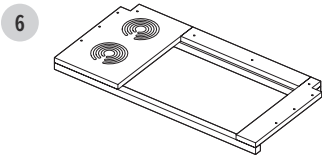


MW2187 x1





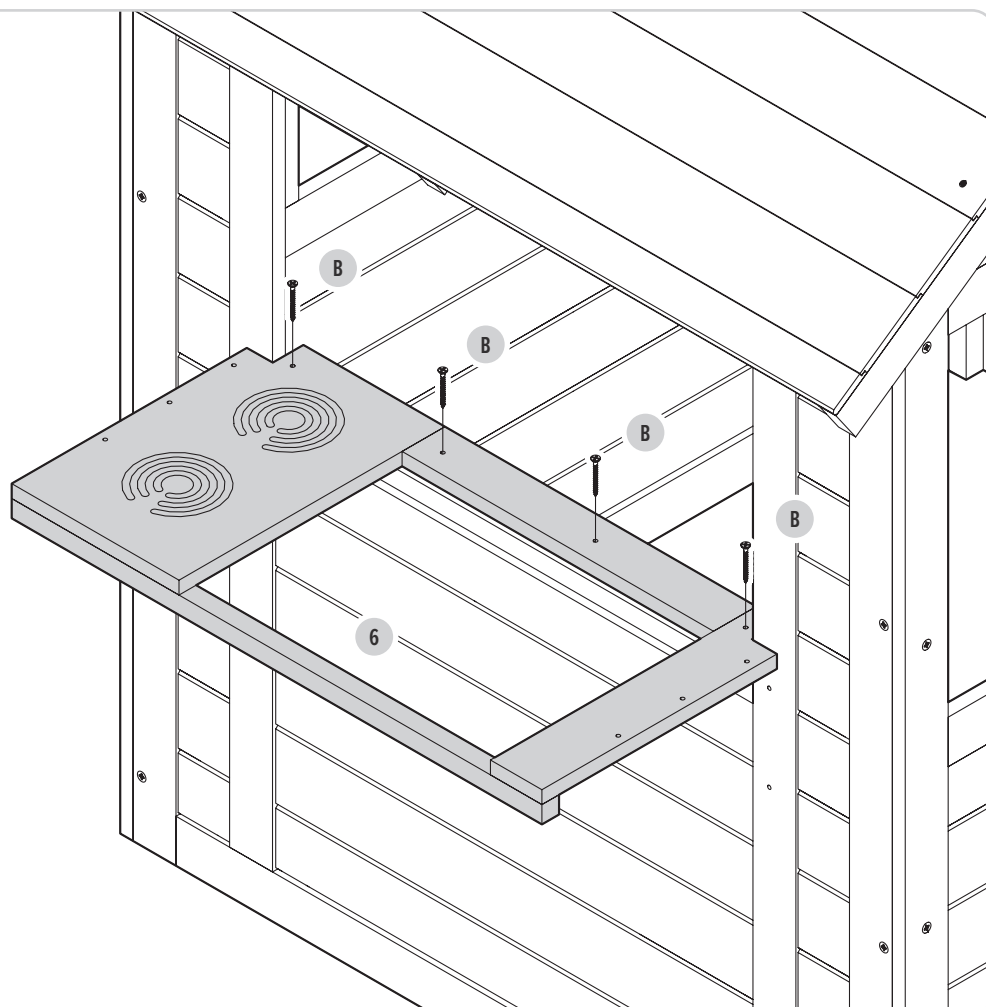
# 9



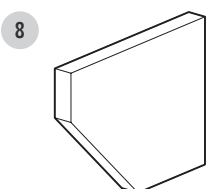
WP2059 x1



FA5126 4 x 35mm  
Wood screw x4



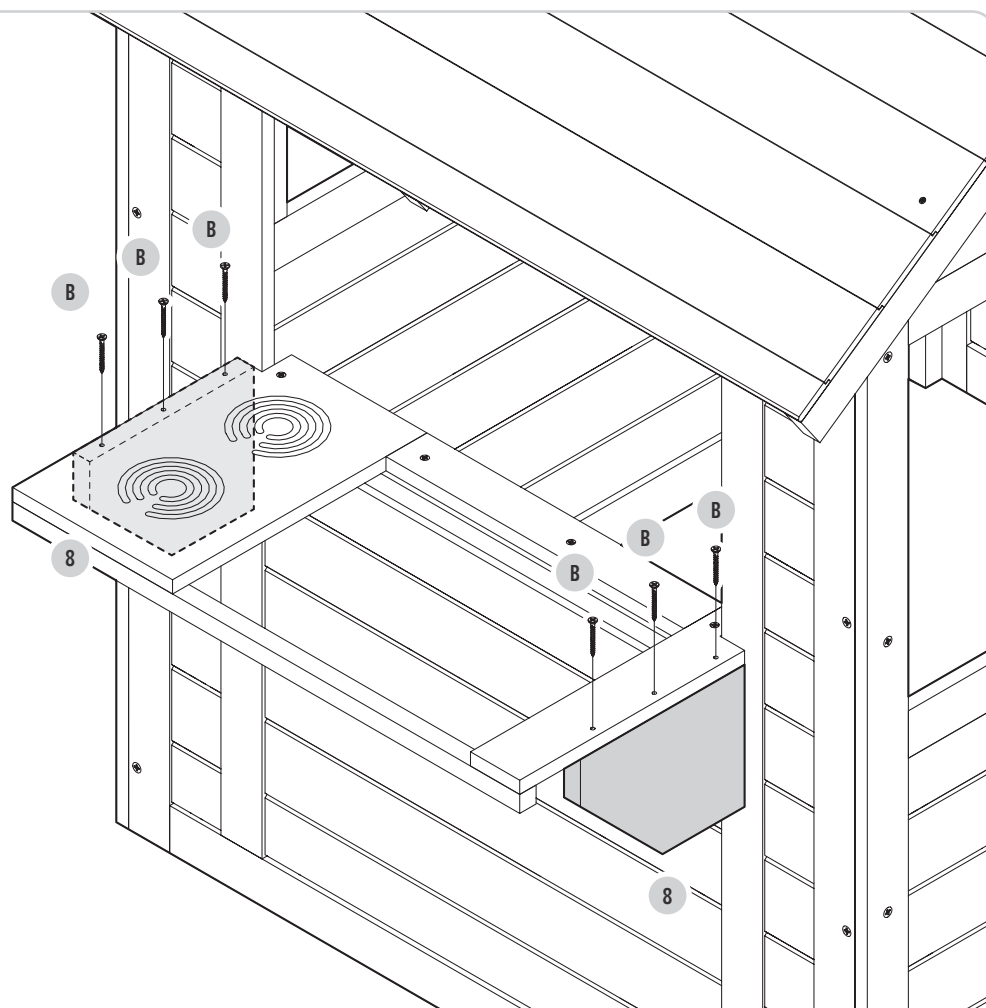
# 10




MW2186 x2

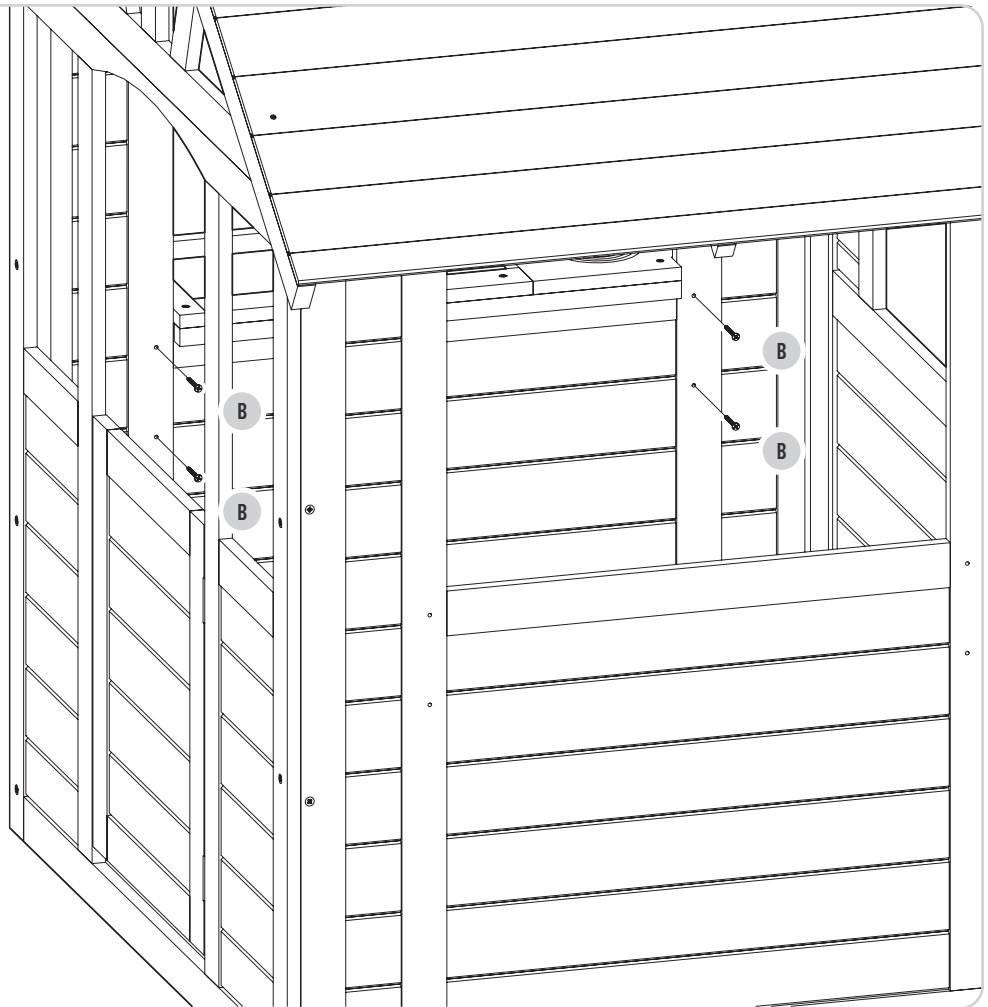


FA5126 4 x 35mm  
Wood screw x6



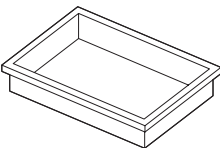
# 11

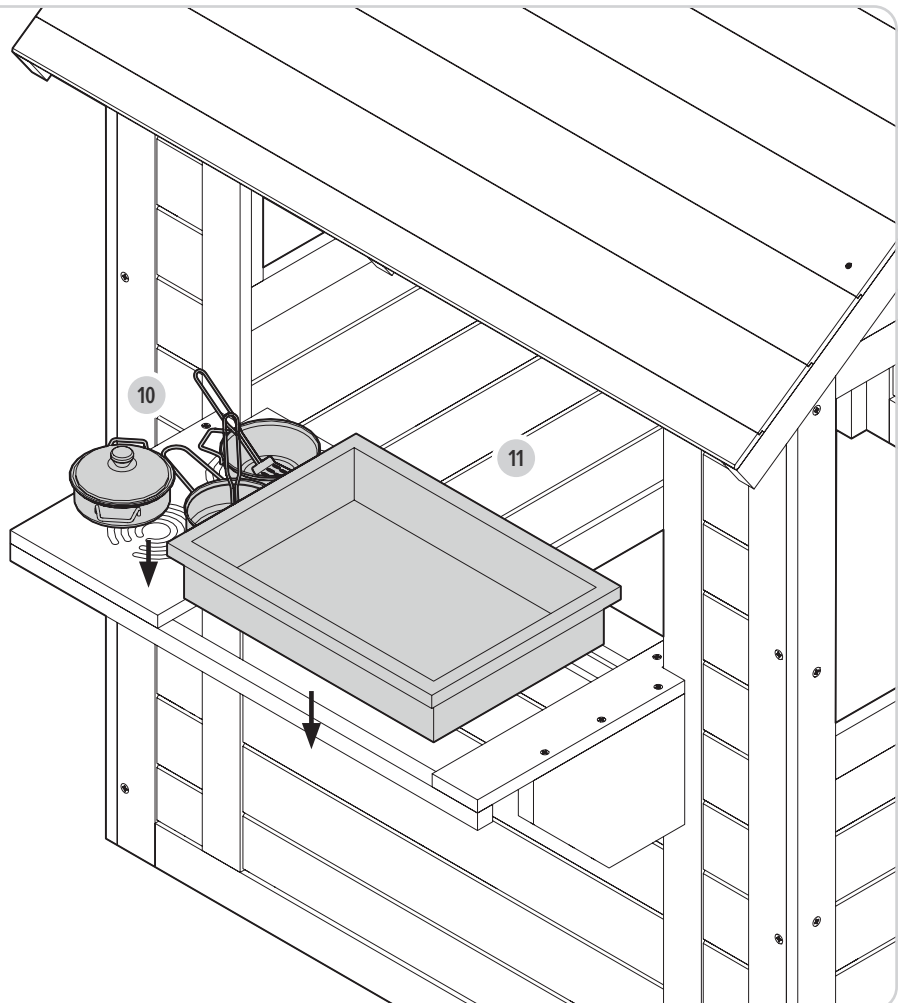
- B   
FA5126 4 x 35mm  
Wood screw x4



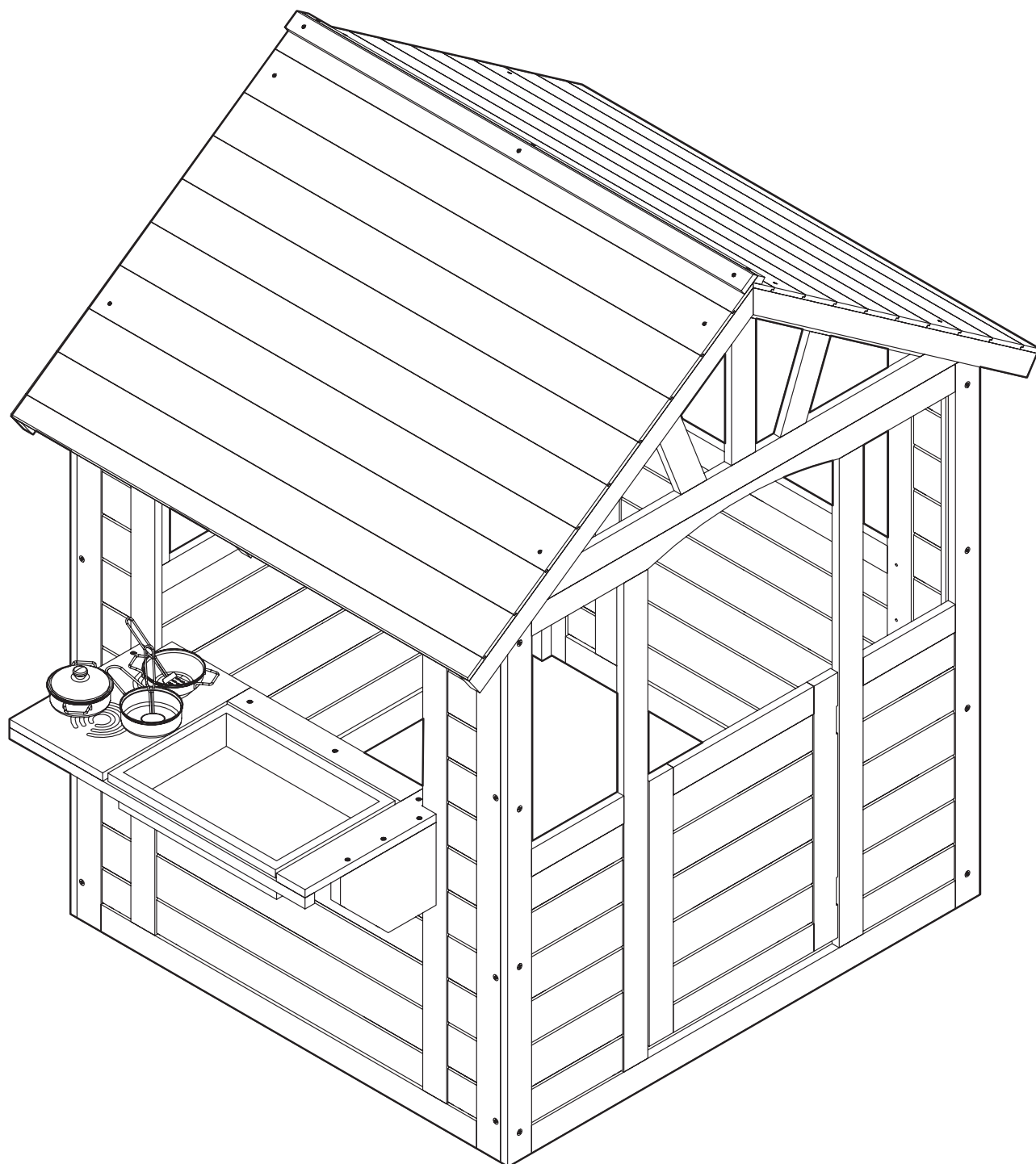
# 12

- 10   
FC0035 x1

- 11   
PM5005 x1



13





# Thank you!

Thank you for purchasing this product.

FOR AU / NZ: IMPORTED FOR KMART STORES IN AUSTRALIA AND  
NEW ZEALAND

MADE IN CHINA  
KEY CODE: 43271481

Product Batch No is



**Mookie. Flitwick, Beds.**  
MK45 5BX U.K.

Please email: [help@mookie.co.uk](mailto:help@mookie.co.uk) or contact our helpline on  
+(44) (0) 1525 722769 9am - 5pm Mon-Fri

**Mookie France**  
Espace Mistral B, 375 avenue du Mistral,  
13600 La Coitat, France

Made in China

622U\_IN0622-A 01.23