

Change Table With Drawers Instruction Manual

0-12
months

11
kg

MAXIMUM
LOAD WEIGHT
OF CHANGE
TABLE TOP

10
kg

MAXIMUM
LOAD WEIGHT
OF EACH
DRAWER

5
kg

MAXIMUM
LOAD WEIGHT
OF EACH
SHELF



The photos and illustrations shown in this instruction manual are generic.

The manufacturer reserves the right to change any specification or feature without prior notice.

IMPORTANT: KEEP FOR FUTURE REFERENCE. READ CAREFULLY.

Assembly Instructions

CARE INSTRUCTIONS:









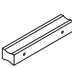









Wipe clean with a damp or dry cloth. Do not use abrasive materials and solvents. Keep away from water and direct sunlight. For indoor and domestic use only. A mild odour may be present when first opening this carton. Simply allow to air outside and this will fade.

WARNING:

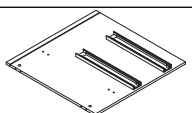
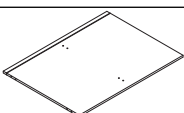
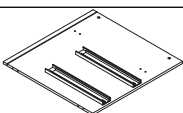
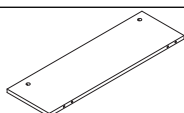
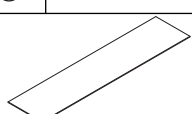
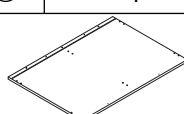
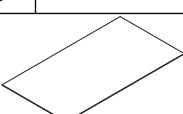
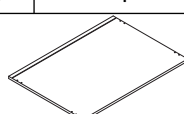



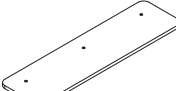
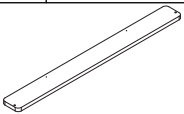
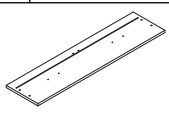
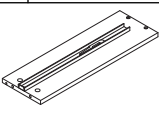
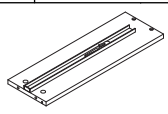
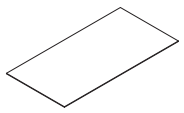
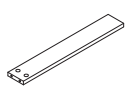
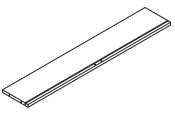
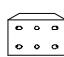
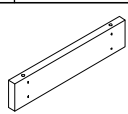
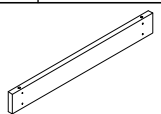
Do not use this unit unless all bolts and screws are firmly secured. Do not knock or drag this unit. Use only on a flat surface. Failure to follow these warnings could result in serious injury. This package contains small parts and sharp points. Keep away from children and babies.

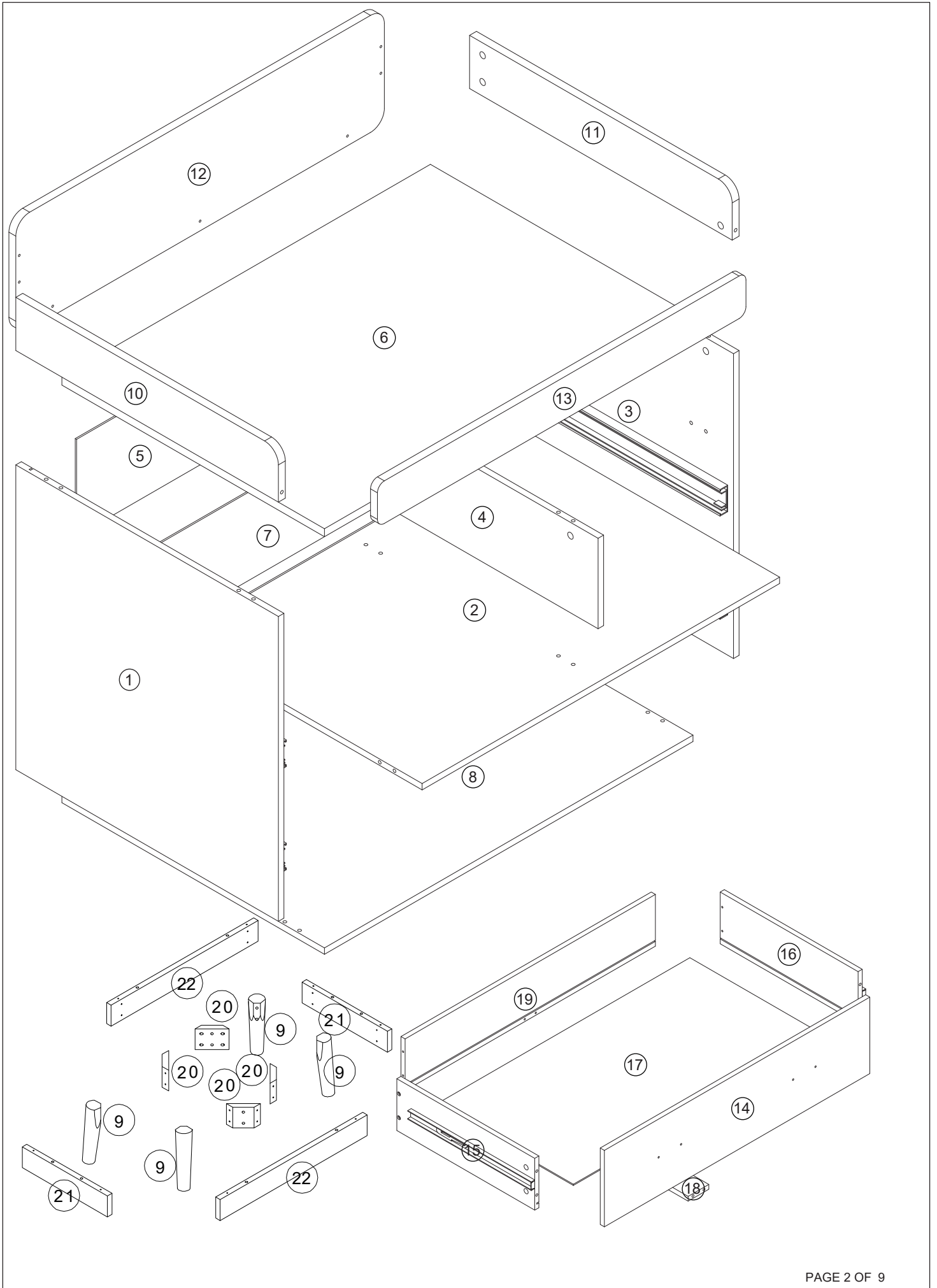
MAXIMUM SAFE LOAD WEIGHT: 5KG FOR EACH SHELF, 10KG FOR EACH DRAWER, 11KG FOR CHANGE TABLE TOP.

1 Hardware List

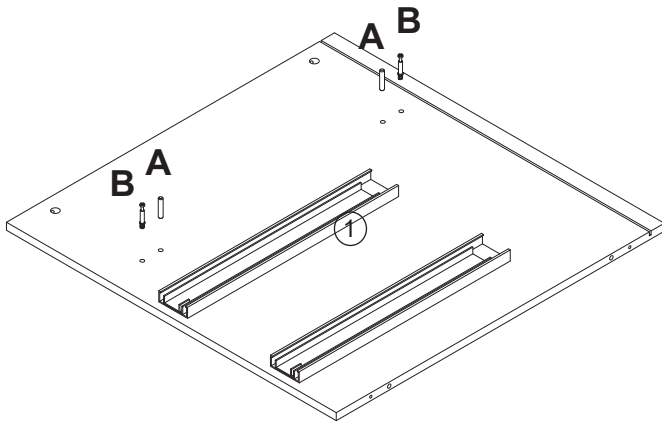
A		6x30mm	24pcs	B		6x35mm	28pcs	C		15x10mm	28pcs	D		5x50mm	6pcs
E		6x35mm	3pcs	F			2pcs	G		4x10mm	4pcs	H		4x25mm	24pcs
I			4pcs	J		6x50mm	8pcs	K		4x55mm	8pcs	L		4x35mm	12pcs
M			3pcs	N		3x14mm	4pcs	O			2pcs	P			2pcs
Q			4pcs	R		3mm	1pc								

2 Parts List

			
① 1pc	② 1pc	③ 1pc	④ 1pc
			
⑤ 1pc	⑥ 1pc	⑦ 1pc	⑧ 1pc
			
⑨ 4pcs	⑩ 1pc	⑪ 1pc	⑫ 1pc
			
⑬ 1pc	⑭ 2pcs	⑮ 2pcs	⑯ 2pcs
			
⑰ 2pcs	⑱ 2pcs	⑲ 2pcs	⑳ 4pcs
			
㉑ 2pcs	㉒ 2pcs		

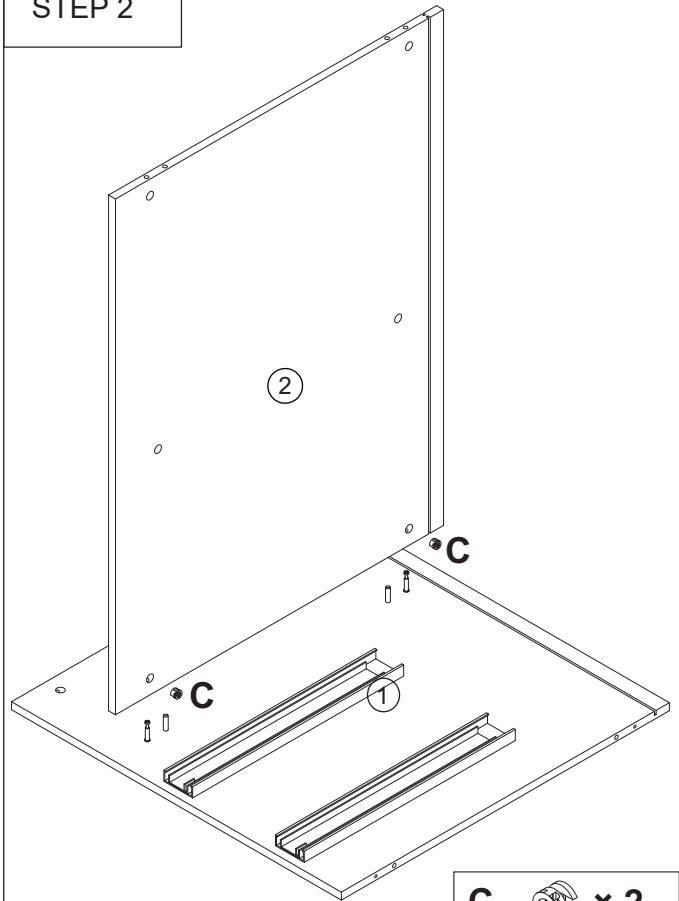


STEP 1



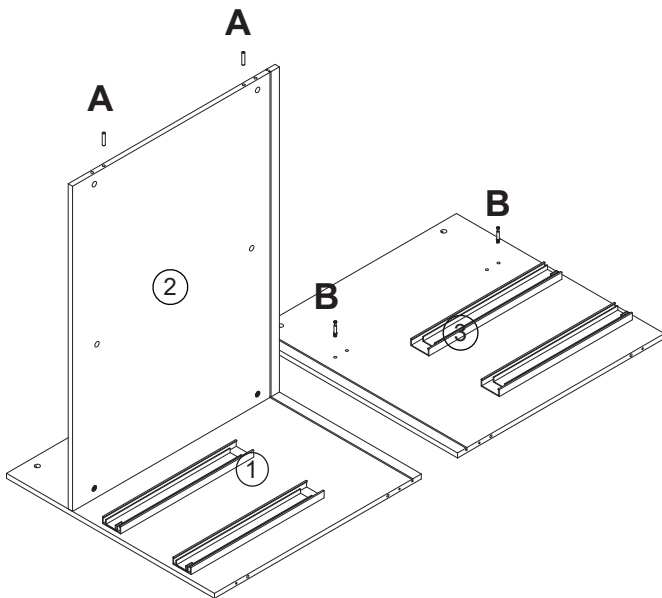
A -  × 2 B -  × 2


STEP 2



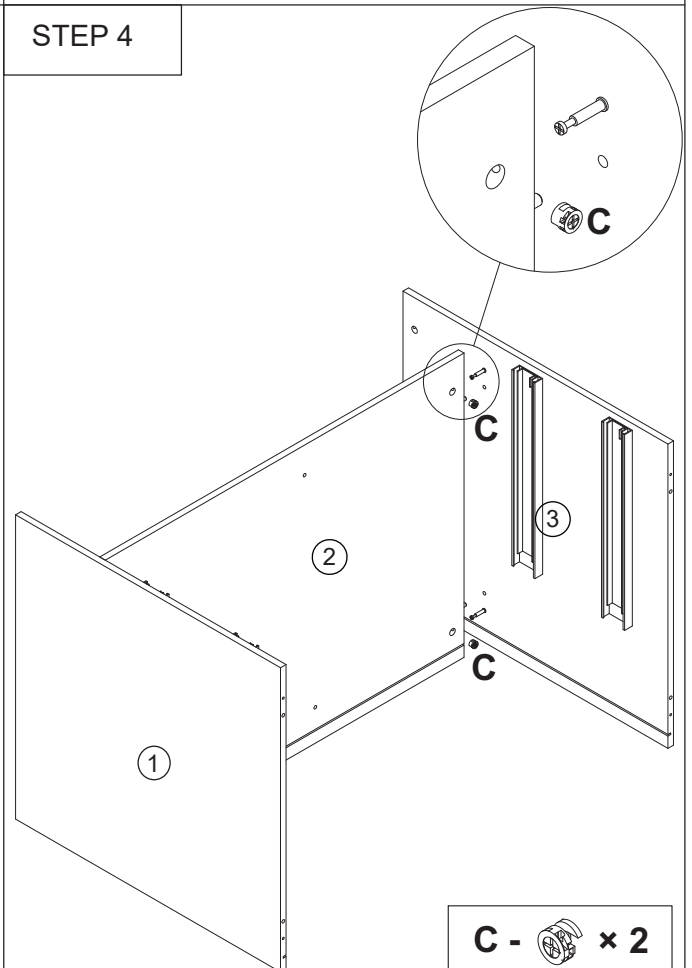
C -  × 2

STEP 3



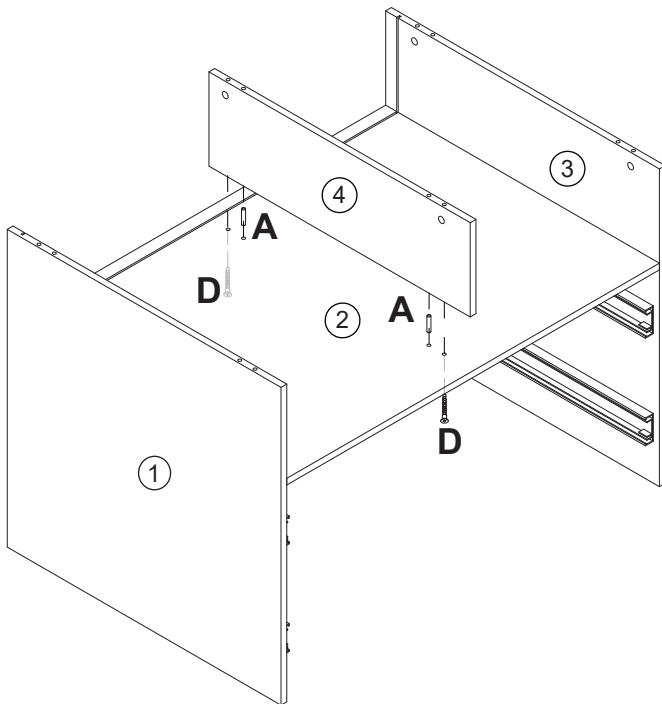
A -  × 2 B -  × 2


STEP 4



C -  × 2

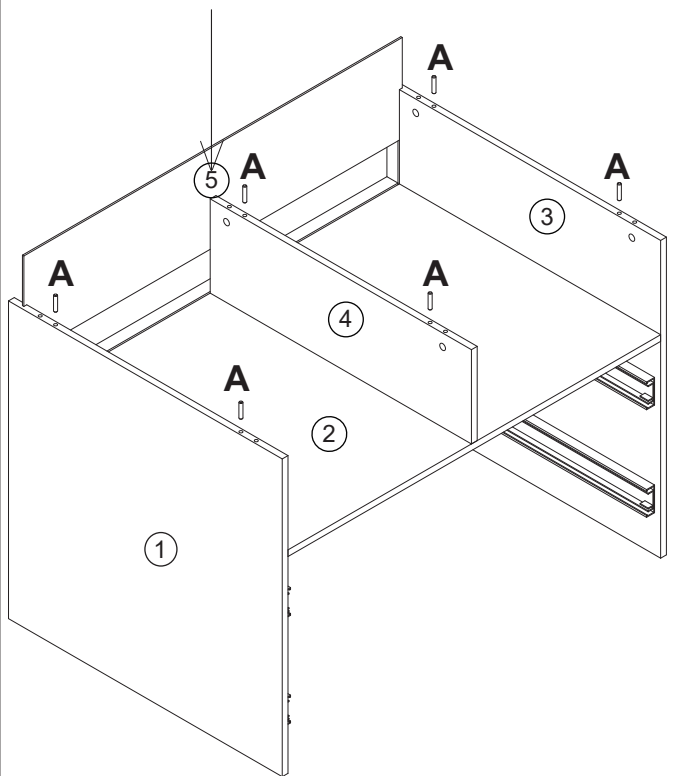
STEP 5




A -  × 2

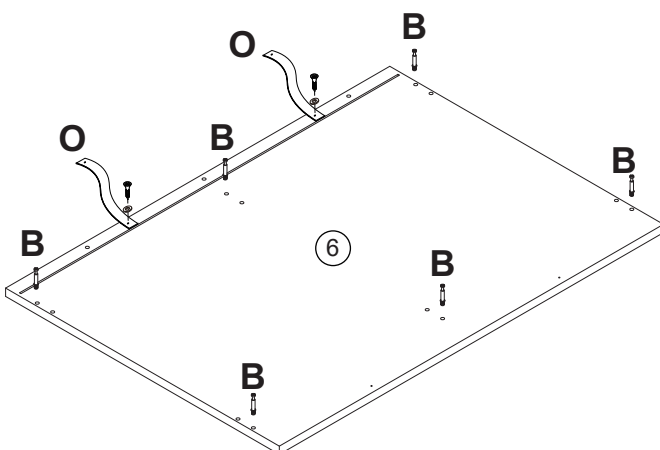
D -  × 2

STEP 6



A -  × 6

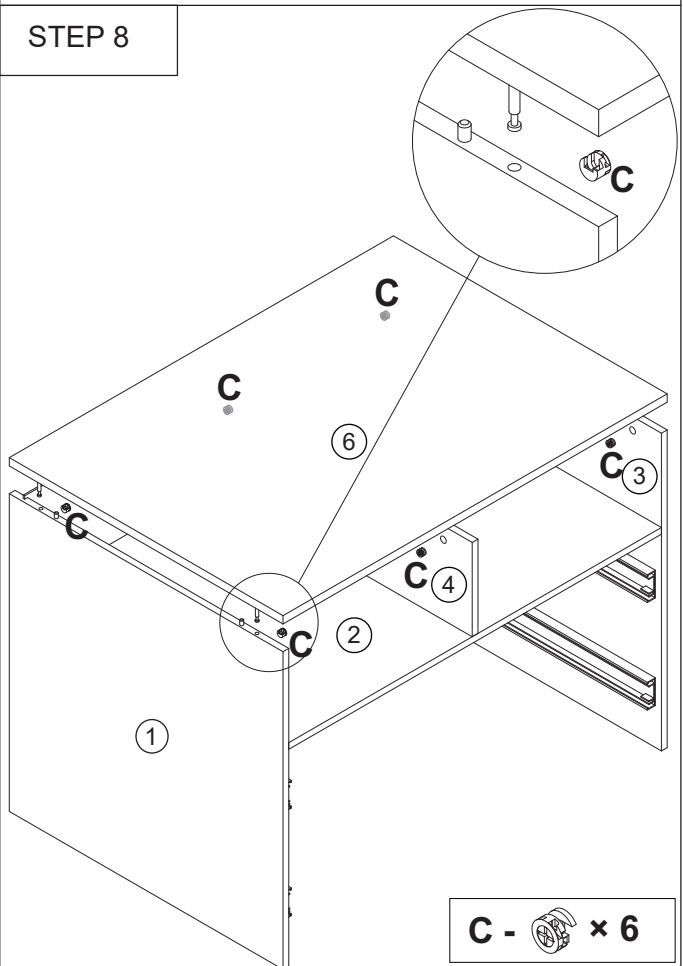
STEP 7



O -  × 2

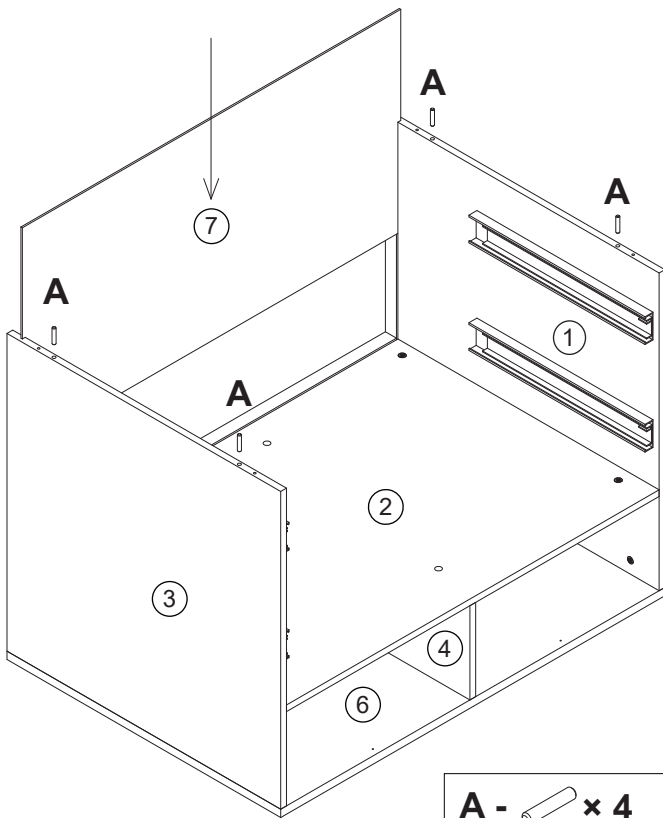
B -  × 6

STEP 8



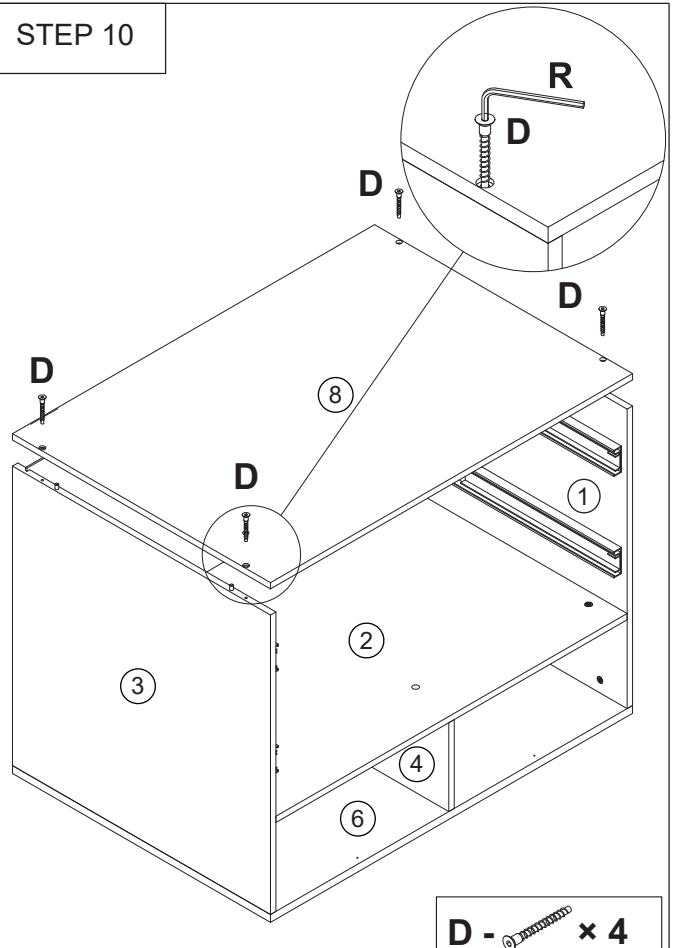
C -  × 6

STEP 9



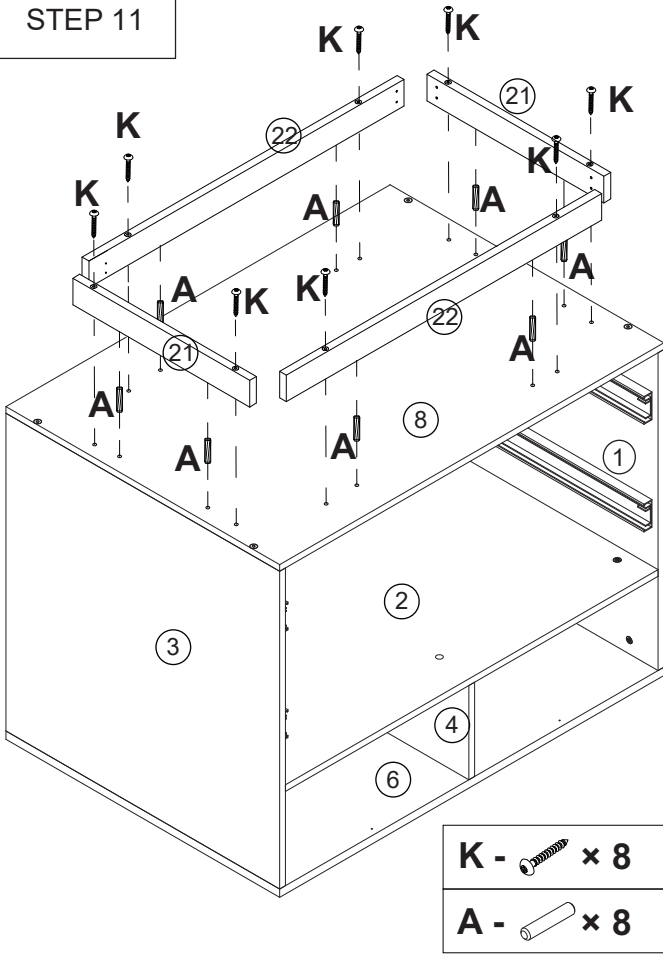
A -  x 4

STEP 10



D -  x 4

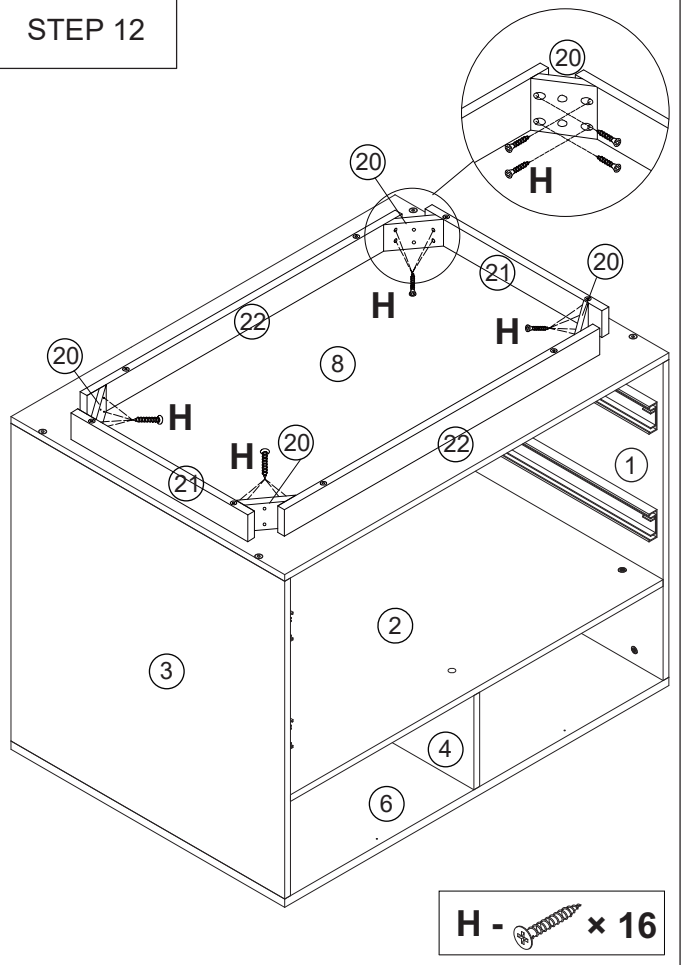
STEP 11



K -  x 8

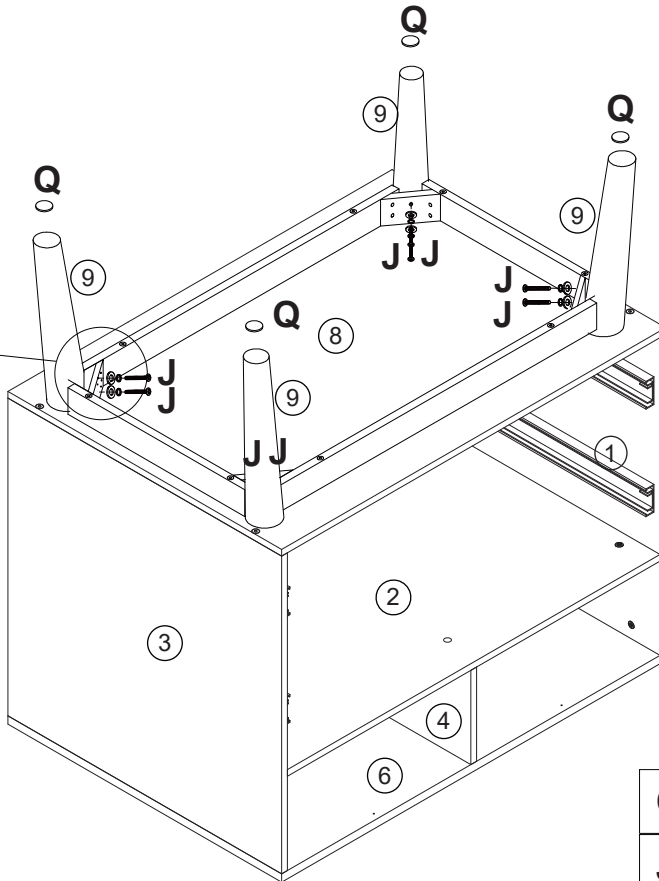
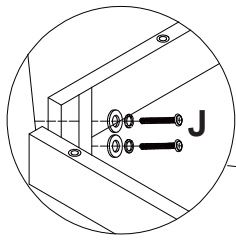
A -  x 8



STEP 12



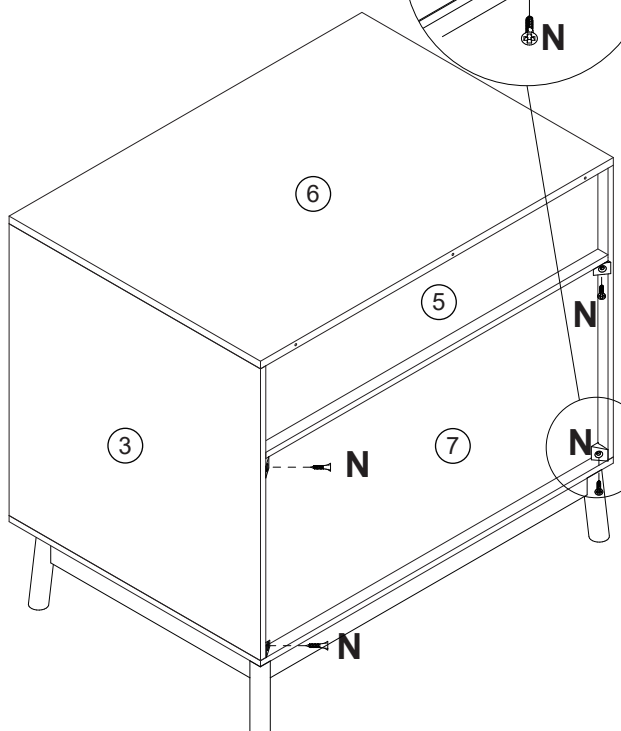
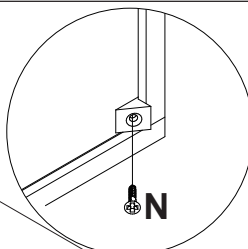
H -  x 16

STEP 13



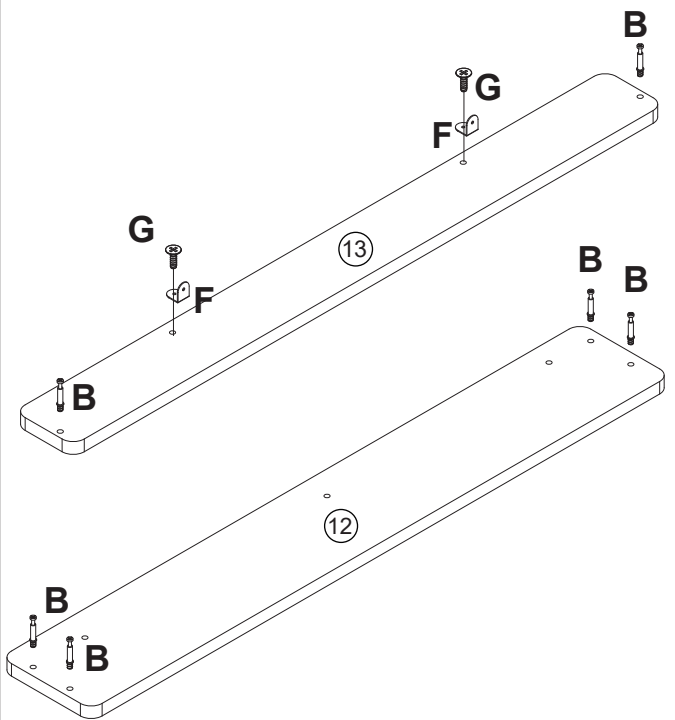
- | | |
|-----|---|
| Q - |  × 4 |
| J - |  × 8 |




STEP 14



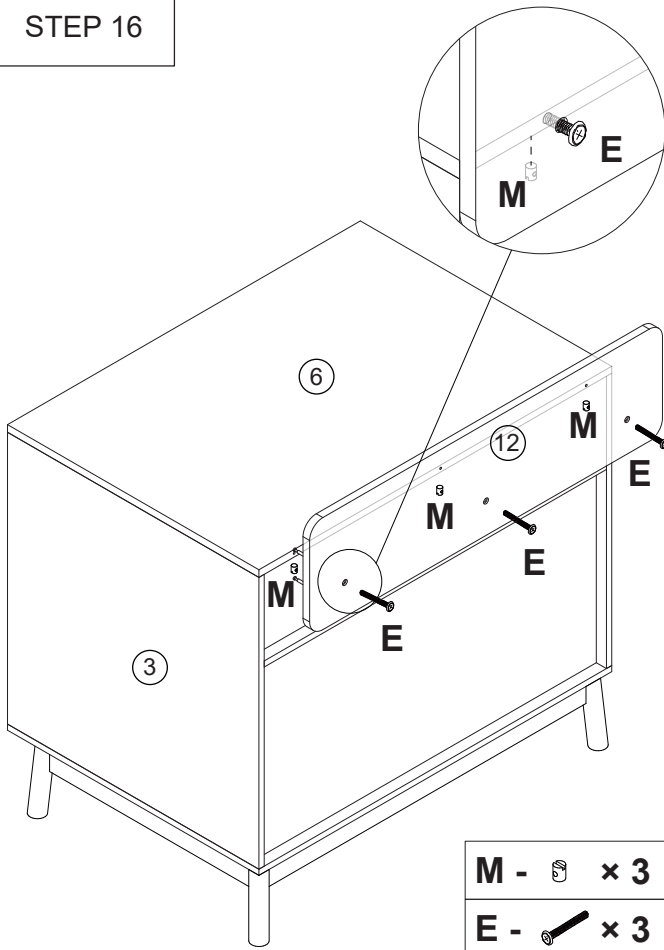
- | | |
|-----|---|
| N - |  × 4 |
|-----|---|

STEP 15

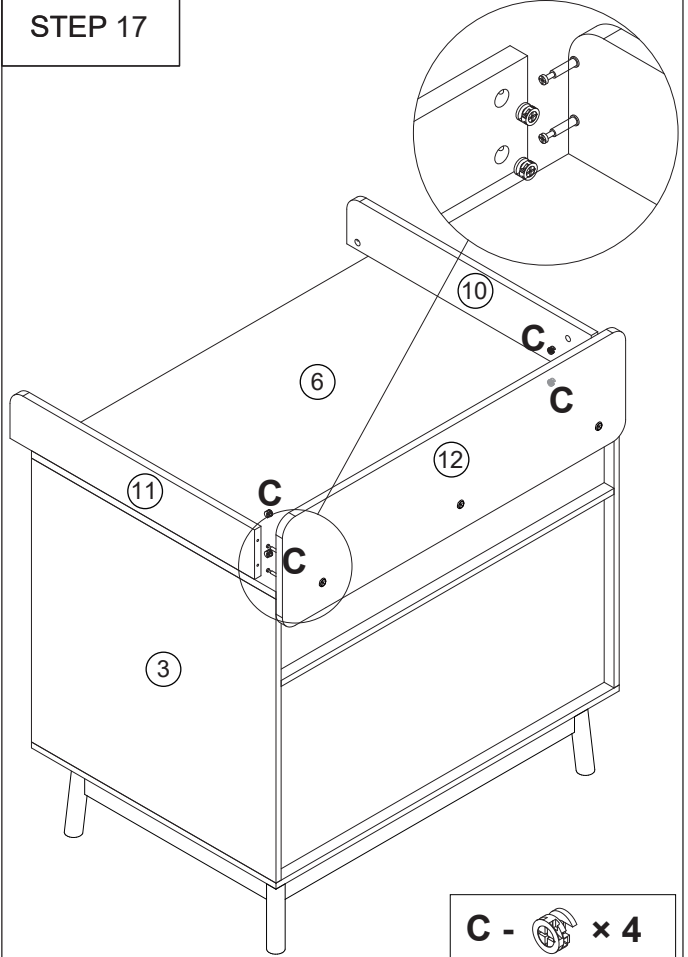


- | | | | | | |
|-----|---|-----|---|-----|---|
| B - |  × 6 | F - |  × 2 | G - |  × 2 |
|-----|---|-----|---|-----|---|

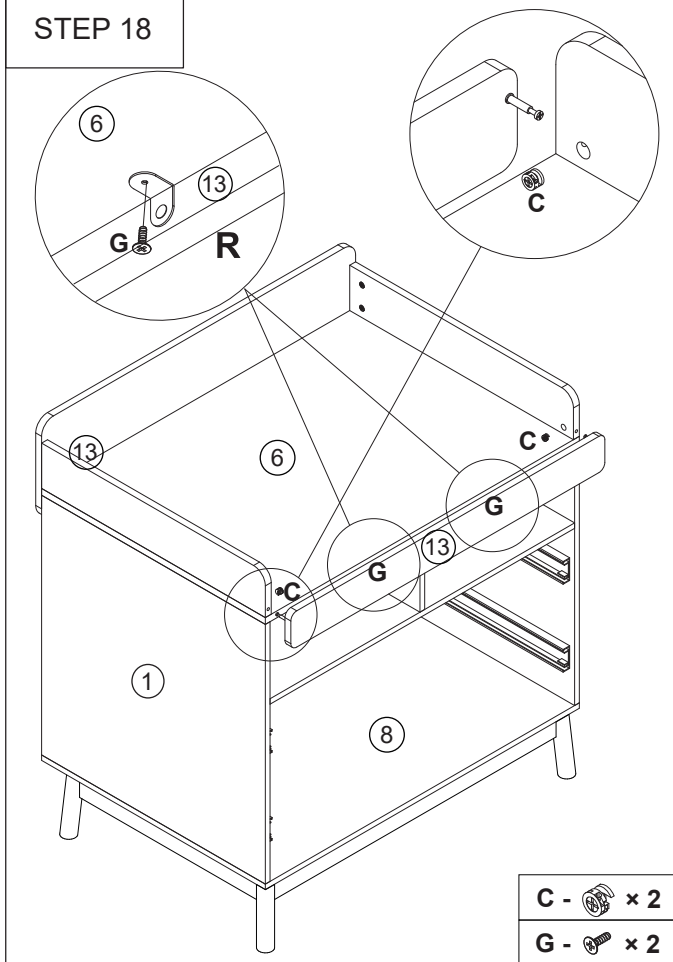
STEP 16



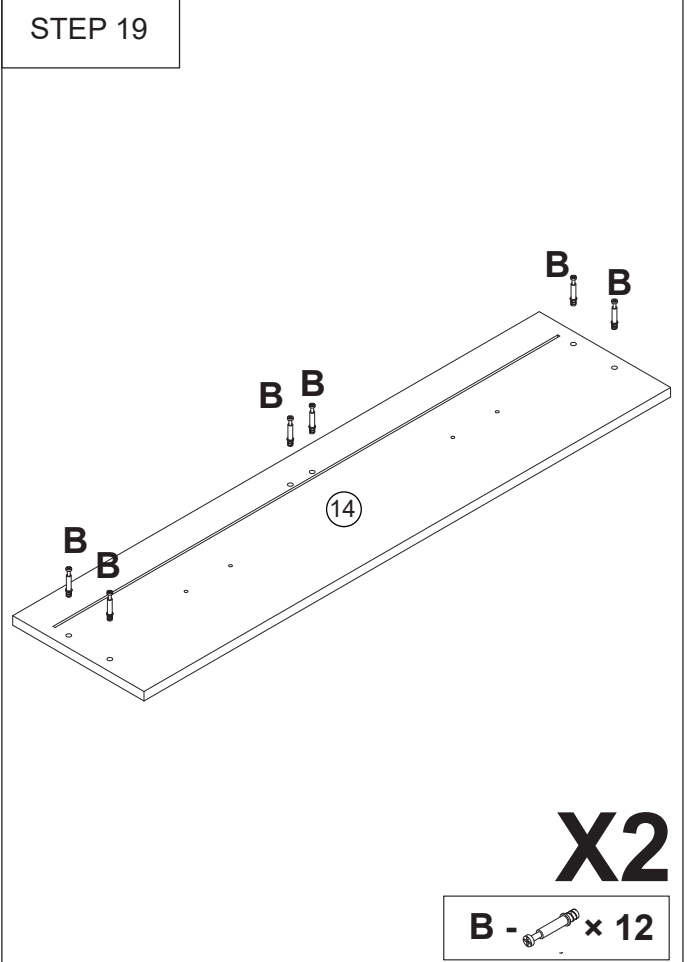
STEP 17



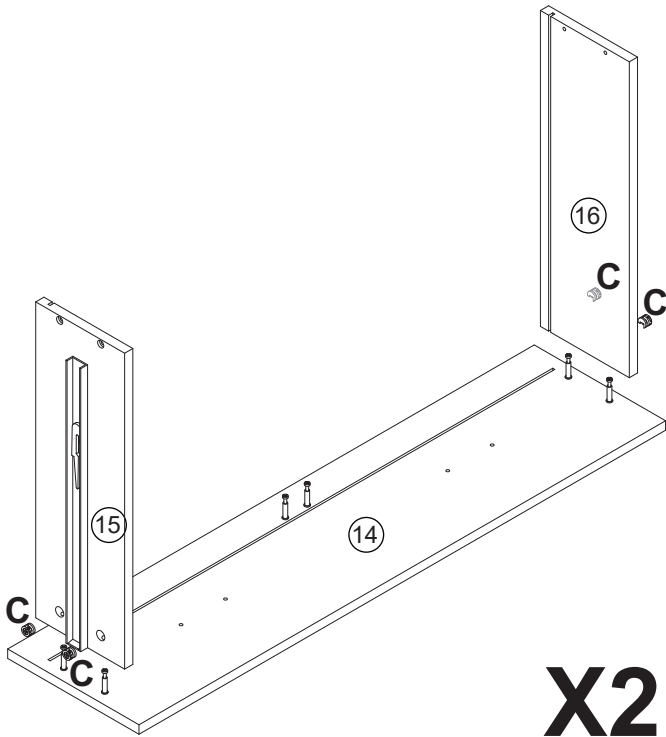
STEP 18




STEP 19



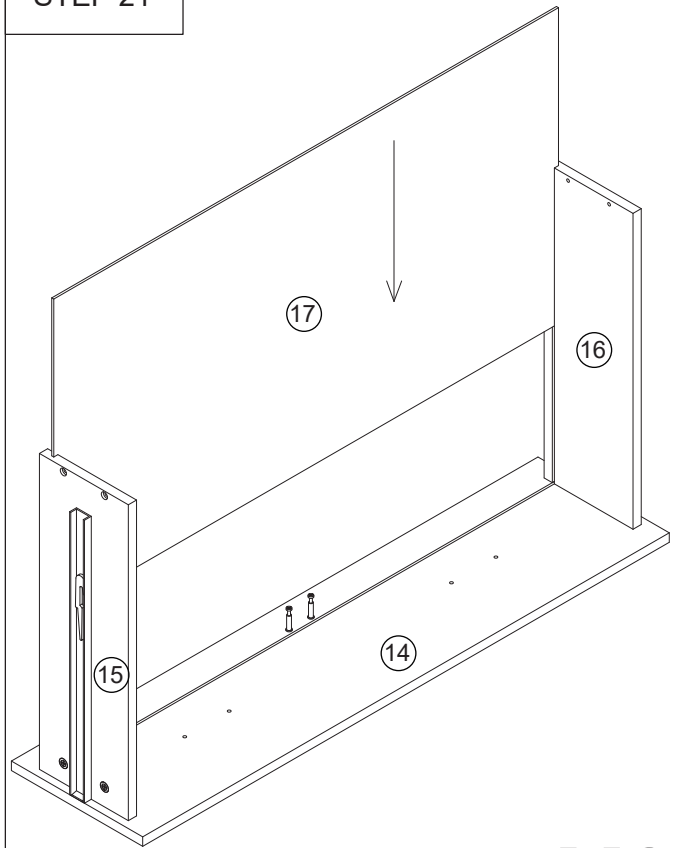
STEP 20



X2

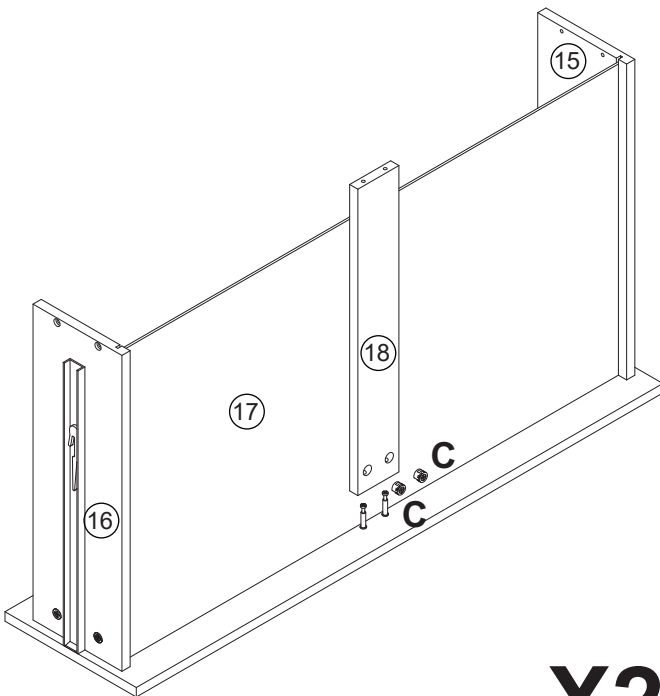
C -  x 8

STEP 21




X2

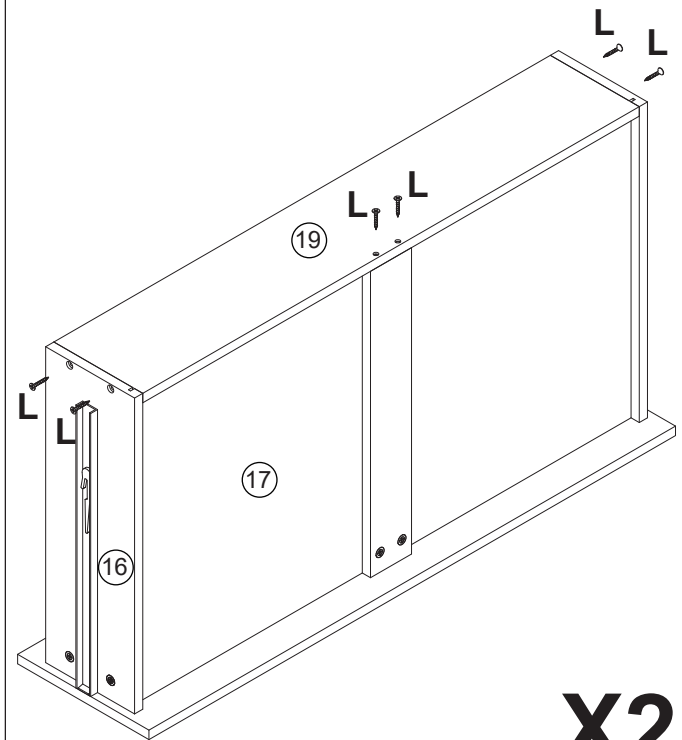
STEP 22




X2

C -  x 4

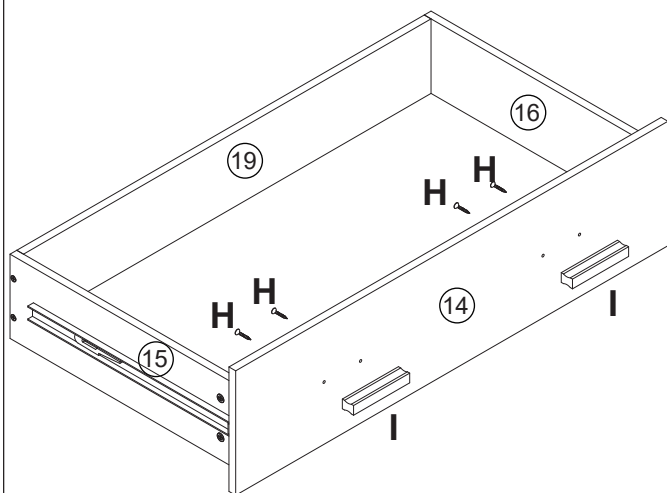
STEP 23



X2

 x 12

STEP 24

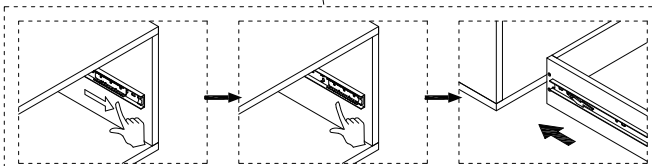
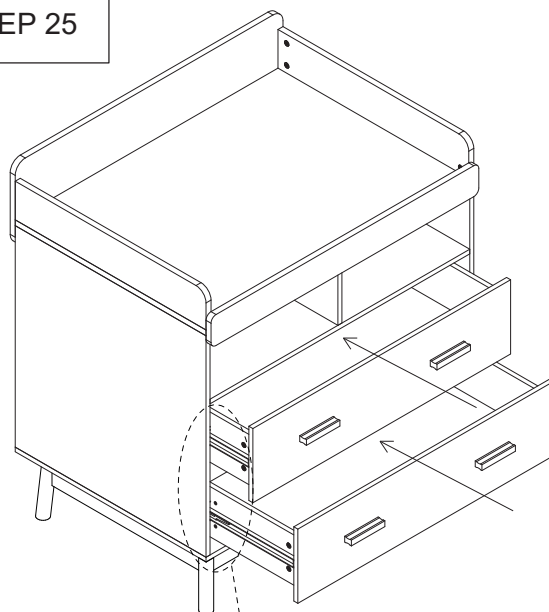


X2

H -  × 8

I -  × 4

STEP 25



Slide ball bearing sliding part to top of rail when assembling the drawer.

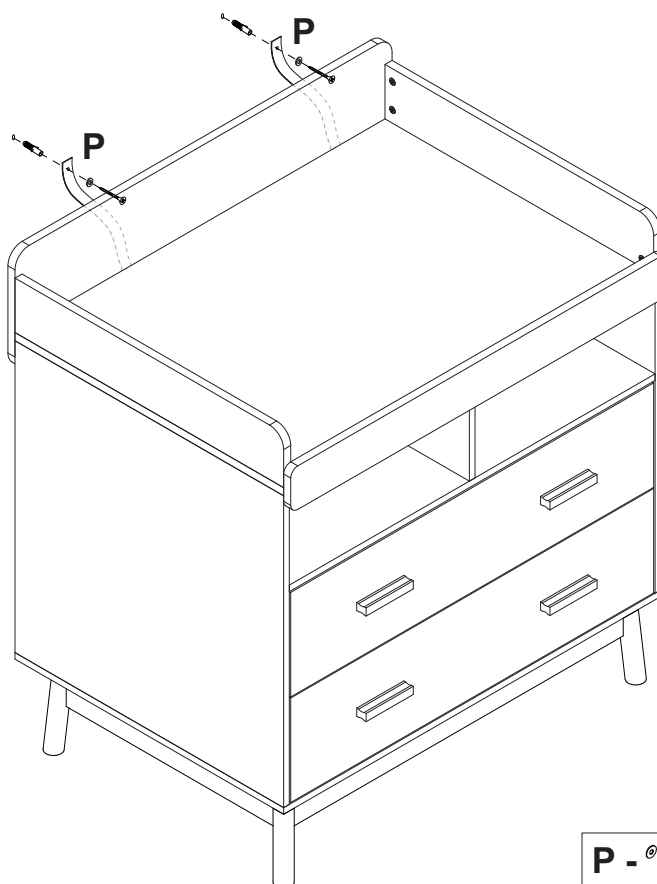
STEP 26

User instructions should include the wording:

- **It is strongly recommended that this product is permanently fixed to the wall with the supplied wall fixings.**
- **Please seek professional advice if you are in doubt of what fixing device to use.**
- **Regularly check that anchors are securely maintained.**
- **Stability of tall items may be affected by thick pile carpet or uneven floors.**
- **Do not place unanchored televisions on furniture.**

CAUTION: for your safety when attaching the anchor fixings, please note the following:

- **Check for electrical wires or plumbing inside the wall before drilling any holes. If you are unsure, please seek professional advice from a qualified tradesperson.**



WARNING: PLEASE SECURE YOUR FURNITURE WITH THE SUPPLIED WALL FIXINGS. SCAN THE CODE FOR MORE INFORMATION.



P -  × 2

KEYCODE: 43-272-792

MADE IN CHINA

FOR AU / NZ: IMPORTED FOR KMART
STORES IN AUSTRALIA AND NEW ZEALAND.

KMART CUSTOMER SERVICE

AU: 1800 124 125 NZ: 0800 945 995