

DECORATIVE DESSERT STAND

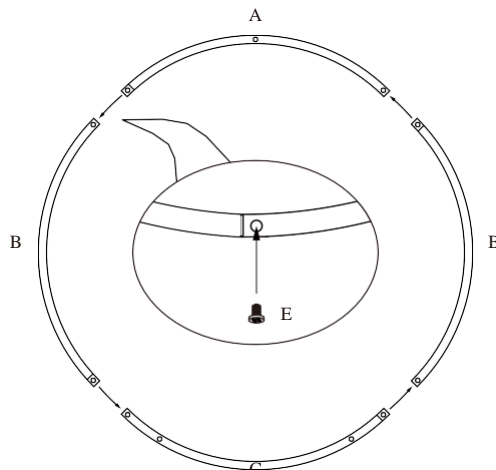


Contents:

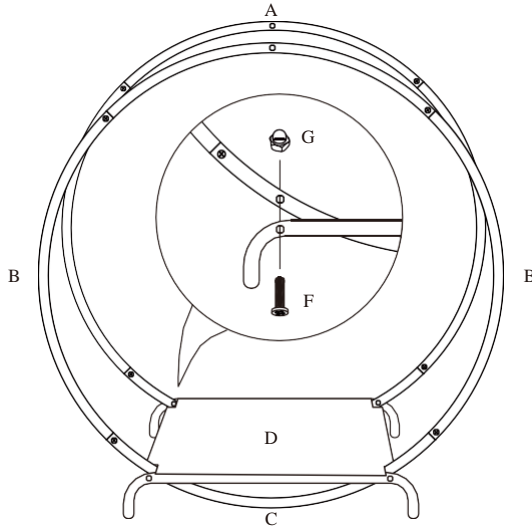
A.2pcs	B.4pcs	C.2pcs	D.1pcs		
			stand base		
			E.8pcs	F.5pcs	G.5pcs
tube	tube	tube	screw	screw	nut

Instructions:

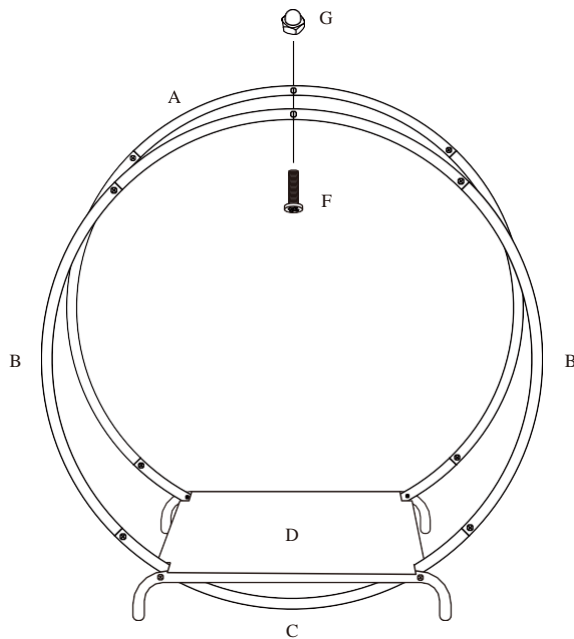
Step 1. Connect tube (1xA, 2xB, 1xC) with screw E (screwdriver not provided). On completion you will have a complete circle.
Repeat this with remaining tubes, to have two complete circles.



Step 2. Connect base D with tube C with screw F like the image below, use nut G to lock the end of screw F. Repeat this step three more times to lock the tube into the base. Repeat with remaining circle.



Step 3. Connect the top of the two circles using screw F and nut G (please see image below). You can decorate the stand once completed.



These instructions are for your safety. Please read through them thoroughly before use and retain for future reference.