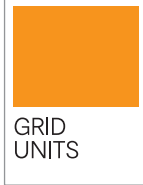


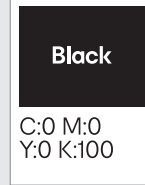


NON PRINTING



UV COATING: NOT OK
 UV上光: 不行
 FOIL STAMP: NOT OK
 烫金: 不行
 FILM LAMINATION: NOT OK
 覆膜: 不行
 WATER-BASE MATT VARNISH: OK
 水性亮油: 行

ALL COLOURS PRINT CMYK 全部以四色印刷



DATE: 19.4.2023
 PRODUCT CODE: 43-274-086 (Bronco)
 FILE NAME: CLEAR SKINCARE SHELF
 LOCATION & OPERATOR:

Anko Styleguide Artwork

16 cm

20 cm

Instruction Manual




43274086 Clear Skincare Shelf

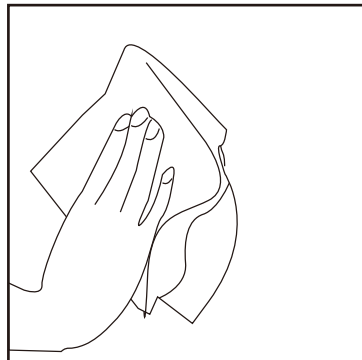
CARE INSTRUCTION:

Suitable for smooth tile, glass or mirror, thoroughly clean surface and let dry. Attach stickers to shelf using nuts provided. Peel off film from adhesive and carefully stick to the surface, ensuring shelf is level. Hold down for 30 seconds. Wait 24 hours before use. This product contains small parts and sharp points, keep away from children and babies. Adult assembly required. Failure to follow these warnings could result in serious injury.

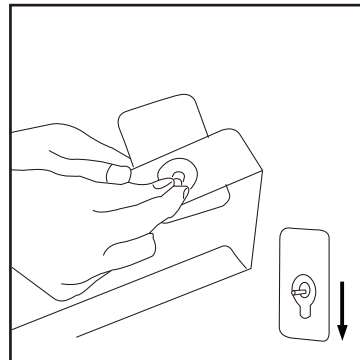
THE MAX LOADING WEIGHT IS 3KG.

Parts List

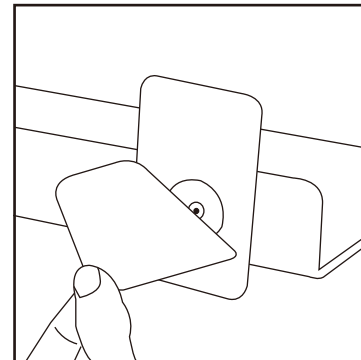
	Sticker	3 PCS		Nut	3 PCS		Shelf	1 PC
---	---------	-------	--	-----	-------	---	-------	------



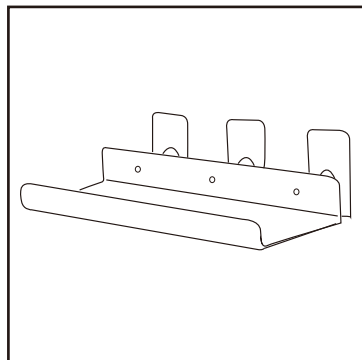
1. Select a location, clean it and keep dry.



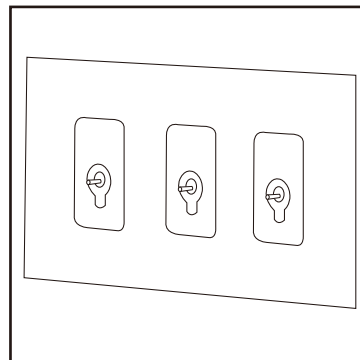
2. Install the sticker onto the shelving board and fasten with screws.



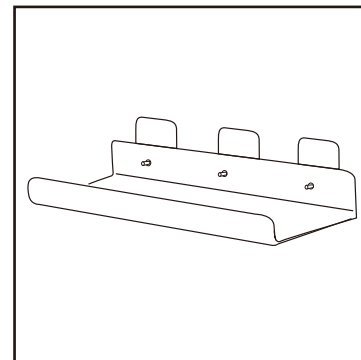
3. Remove the protective film, then stick on the wall in straight line, hold down for 30 seconds.



4. Remove the shelf after attached, only leaving the sticker on the wall.



5. Press the sticker to make it flat without bubbles keep 24 hours.



6. After 24 hours, install the shelving to the wall with screws.

Remove:

To remove sticker, peel sticker back slowly and use methylated spirits to dissolve sticker residue.