

Assembly Instructions

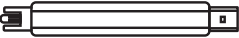
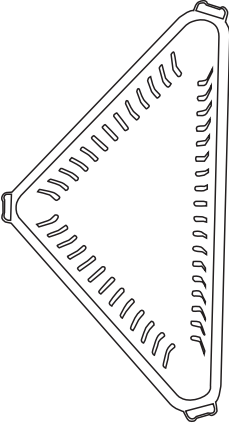


43274451 3 TIER PLASTIC CORNER SHELF

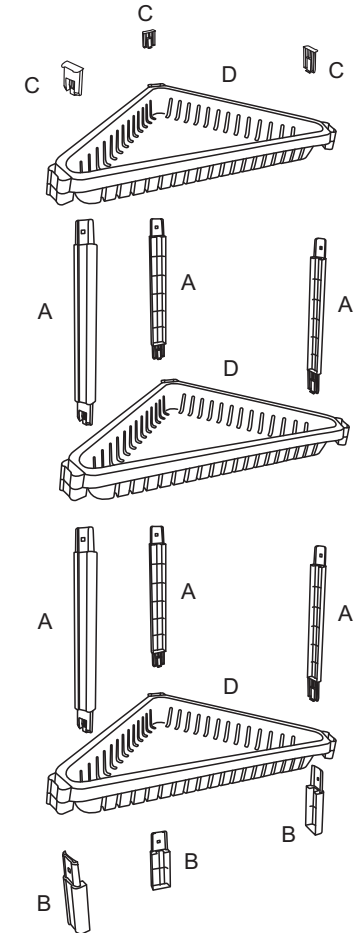
CARE INSTRUCTIONS: Check and tighten all parts regularly. Wipe clean with a soft damp cloth. For indoor and domestic use.

WARNING: Do not stand, sit or lean on the shelf. Use only on a flat surface. This package contains small parts, keep away from children and babies. Adult assembly required. Failure to follow these warnings could result in serious injury.

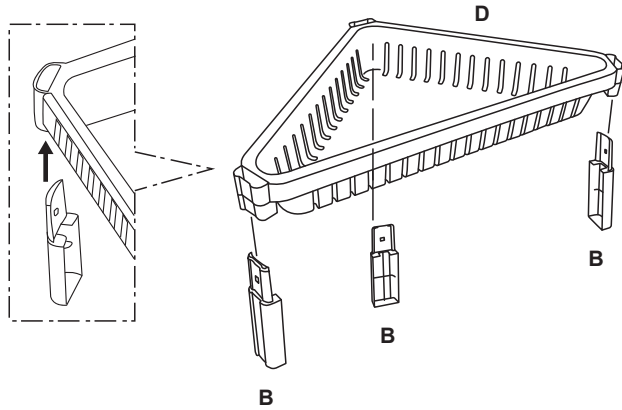
MAXIMUM SAFE LOAD: 3kg each tier 9kgs in total

Hardware list

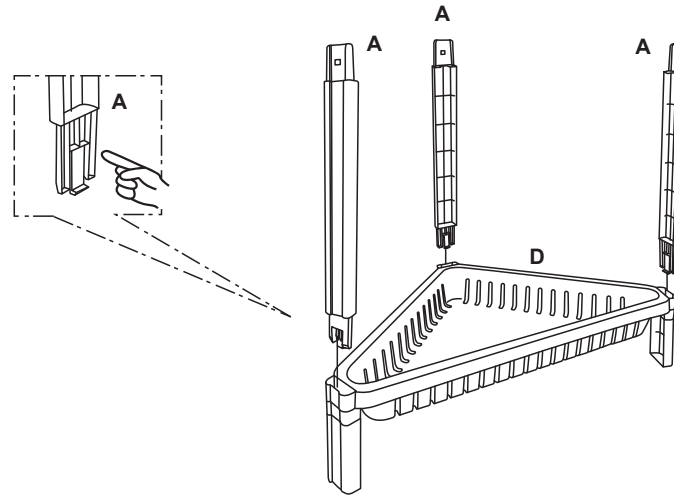
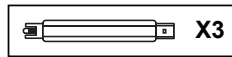
	A	6PCS		D	3PCS
	B	3PCS			
	C	3PCS			



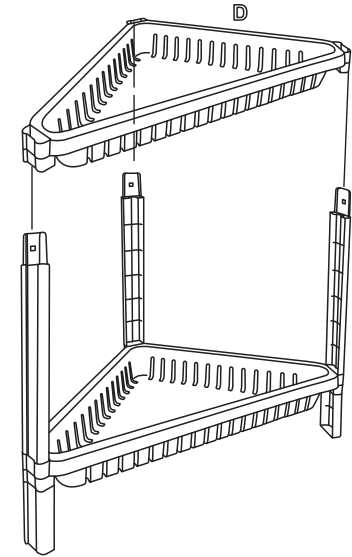
STEP 1



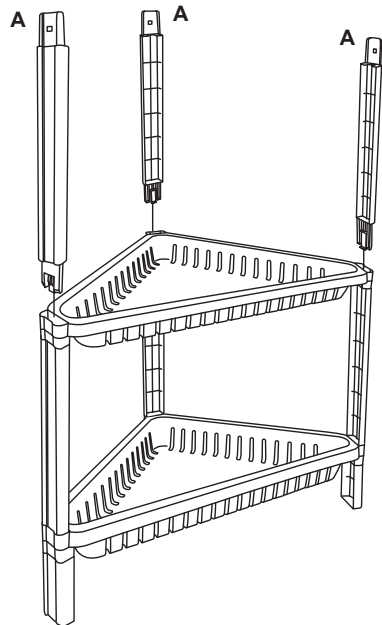
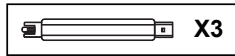
STEP 2



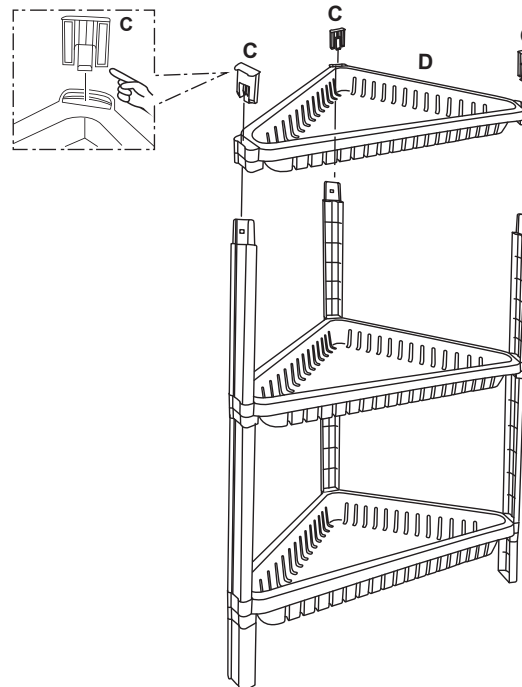
STEP 3



STEP 4



STEP 5



STEP 6

DISASSEMBLY METHOD

