

Assembly Instructions

43275540 KIRBY TIMBER CHAIR GRY

CARE INSTRUCTIONS:










WIPE CLEAN WITH A SOFT DAMP CLOTH. DO NOT USE ABRASIVE MATERIAL AND SOLVENTS. SPOT CLEAN IF NEEDED. KEEP AWAY FROM WATER AND DIRECT SUNLIGHT. STORE IN A DRY PLACE. CHECK AND TIGHTEN ALL PARTS REGULARLY. FOR INDOOR AND DOMESTIC USE ONLY.

WARNING:

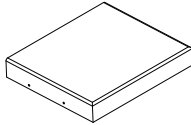
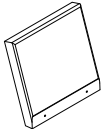
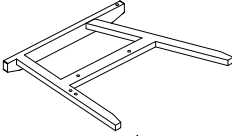
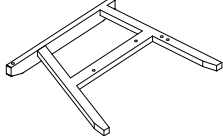
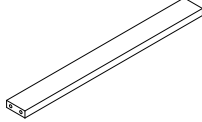
DO NOT STAND ON THIS CHAIR. USE ONLY ON A FLAT SURFACE. SUITABLE FOR ONE PERSON USE ONLY. DO NOT USE UNTIL ALL SCREWS, BOLTS AND KNOBS ARE FIRMLY SECURED. THIS PRODUCT CONTAINS SMALL PARTS AND SHARP POINTS, KEEP AWAY FROM CHILDREN AND BABIES. ADULT ASSEMBLY REQUIRED. DO NOT TIGHTEN THE SCREWS FULLY DURING ASSEMBLY. FULLY TIGHTEN SCREWS AFTER THE FINAL ASSEMBLY STEPS. FAILURE TO FOLLOW THESE WARNINGS COULD RESULT IN SERIOUS INJURY.

MAXIMUM SAFE LOAD: 100KG.

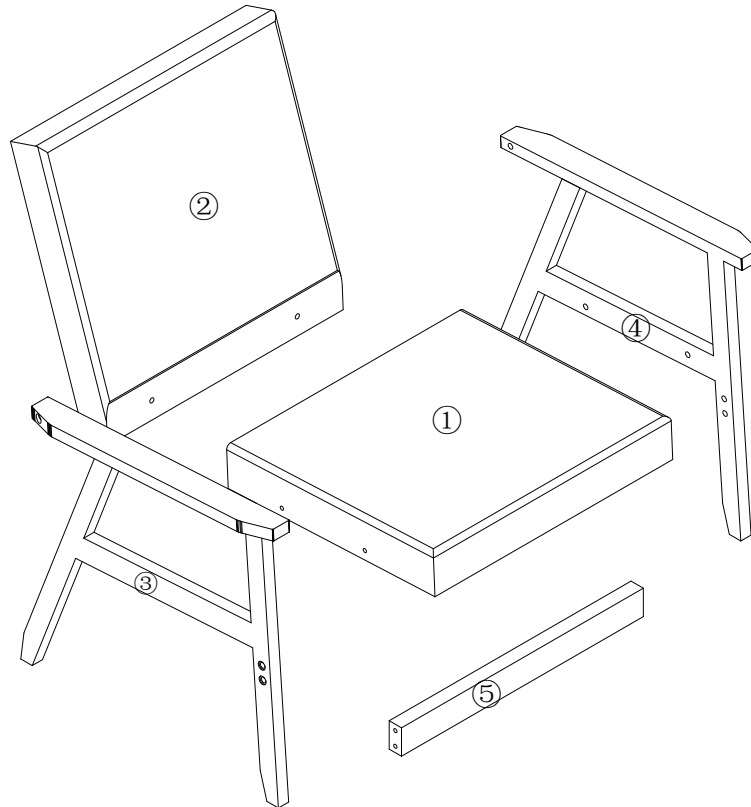
1 Hardware List

	A	8x60mm	6pcs		B	8x45mm	2pcs		C	8x35mm	4pcs
	D		4pcs		E		6pcs		F		12pcs
	G		6pcs		H		1pc		I		4pcs

2 Parts List

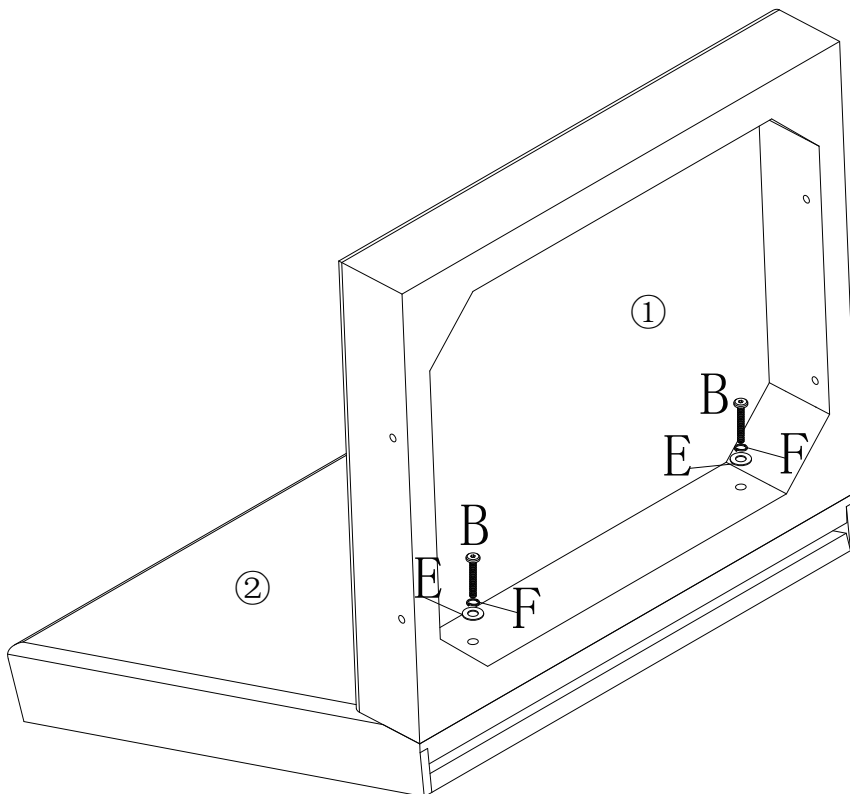
							
①	1pc	②	1pc	③	1pc	④	1pc
							
⑤	1pc						

3









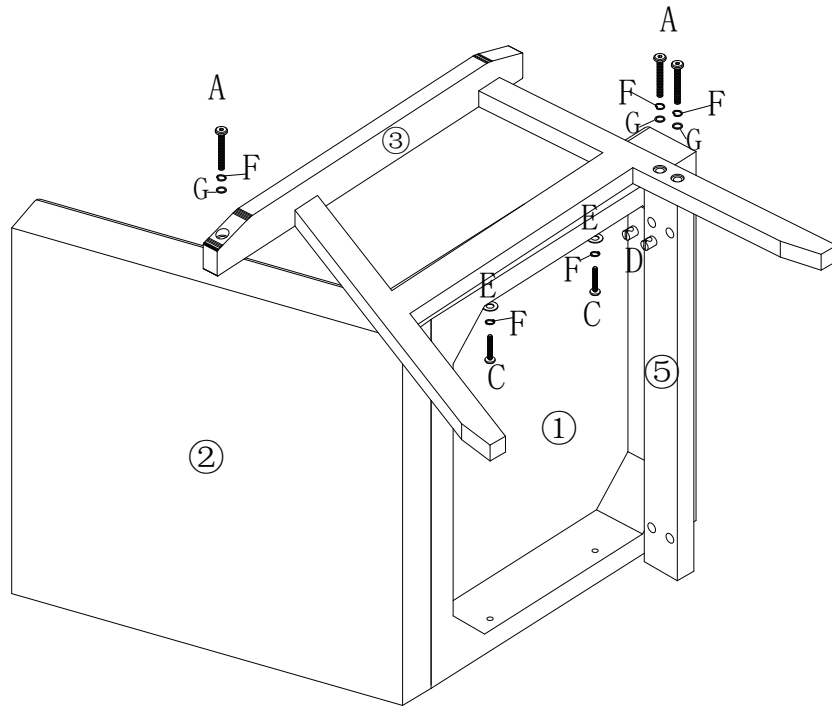
**DO NOT TIGHTEN THE SCREWS FULLY DURING ASSEMBLY.
FULLY TIGHTEN SCREWS AFTER THE FINAL ASSEMBLY
STEPS.**

STEP 1 **B -  x2** **E -  x2** **F -  x2**



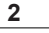
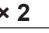
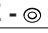




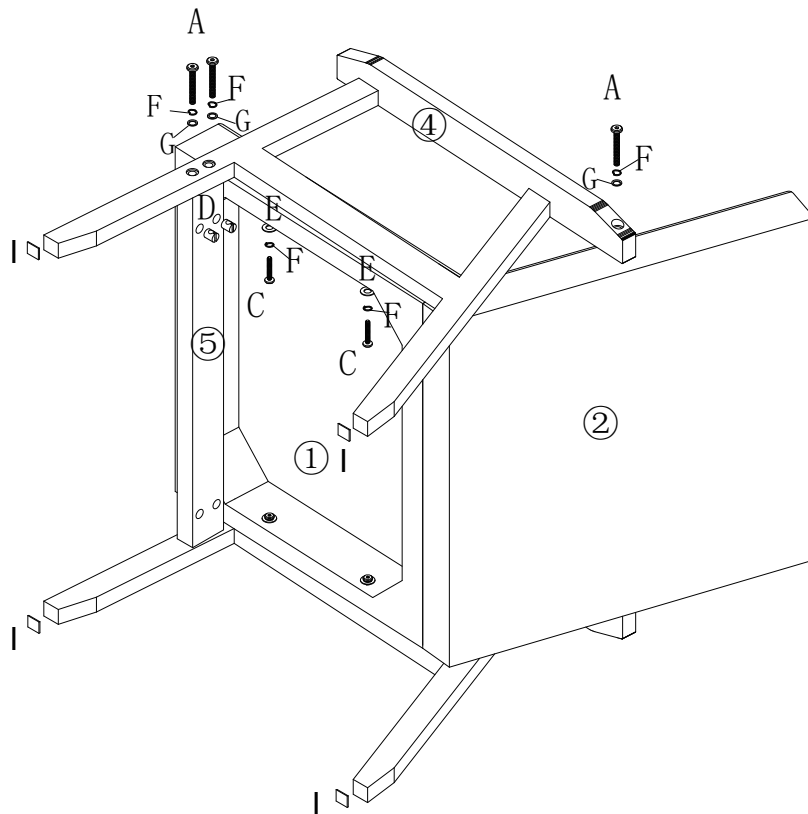
STEP 2

A-x3 D-x2 C-x2 E-x2 F-x3 G-x5



STEP 3

A-x3 D-x2 C-x2 E-x2 F-x5 G-x3 I-x4



STEP 4

