

# anko

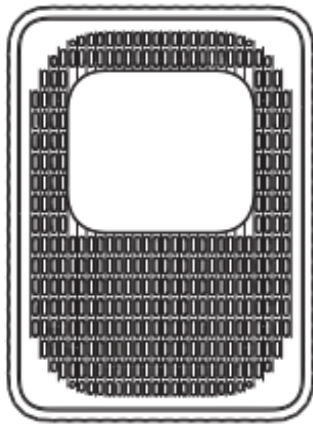
## Cat Litter Tray Top Entry

The image part with relationship ID '151' was not found in the file.

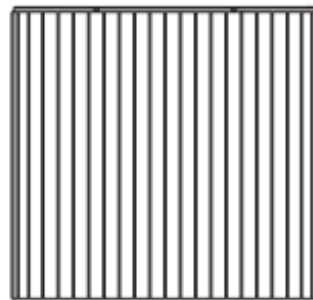


The image part with relationship ID '151' was not found in the file.

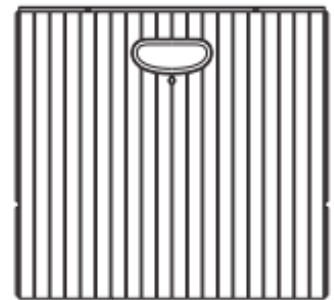
Contents



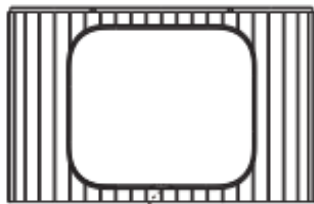
Top Cover A x1



Back Panel B x1

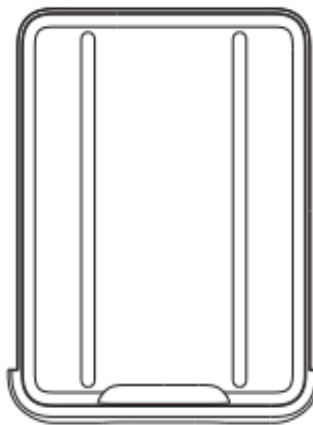


Side Panel C x2



Door Stopper H

Front Panel D including the door x1



Drawer E x1



Cat Litter Board G x1



Cat Litter Scoop I x1



Buckle F1 x2



Buckle F2 x2



Buckle K1 x2



Buckle K2 x2

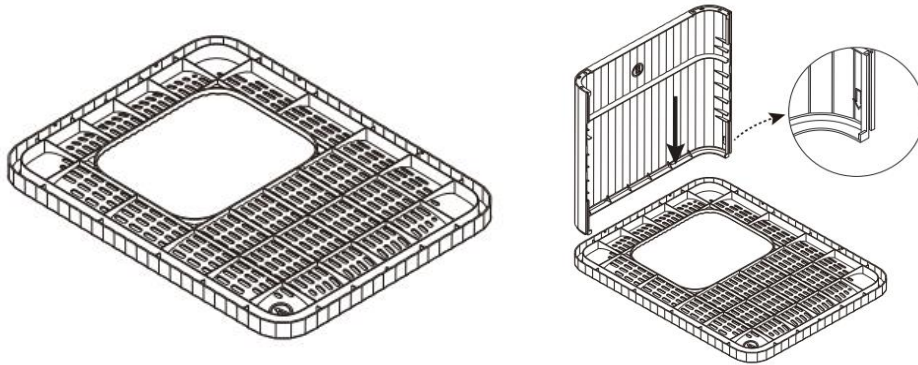


Hook x2

## Assembly Instructions

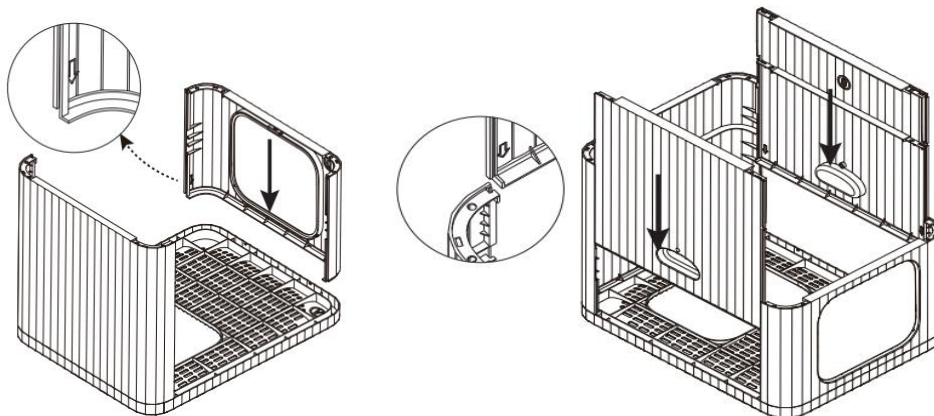
### Step 1.

Flip top cover A over, and install back panel B into the slot of top cover A.



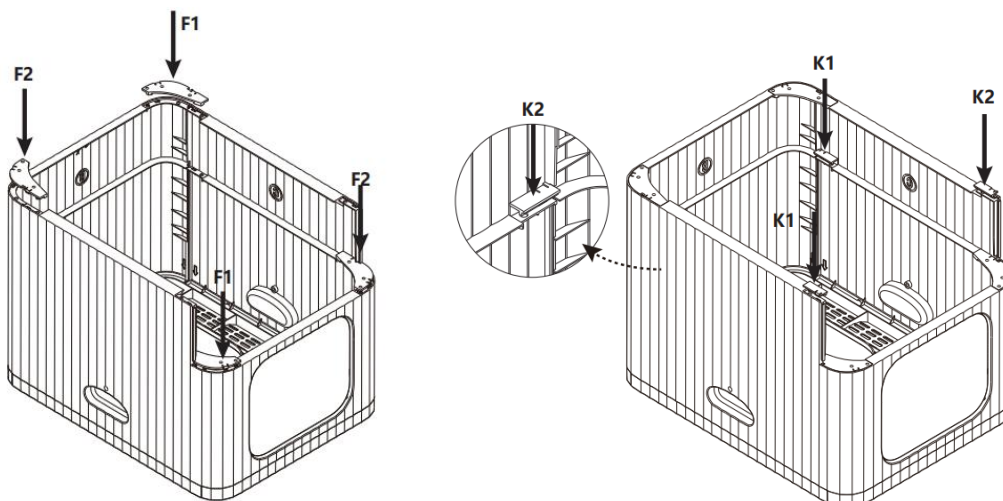
### Step 2.

Install front panel D into the slot of top cover A, then install side panels C to top cover A along the front and back slots.



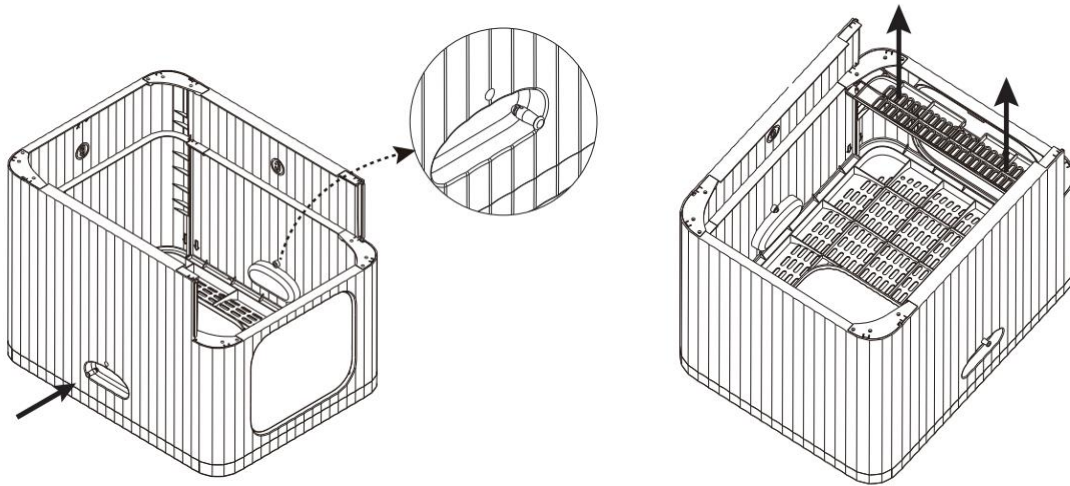
### Step 3.

Install buckles F1, F2, K1 & K2 into positions shown in the figure.



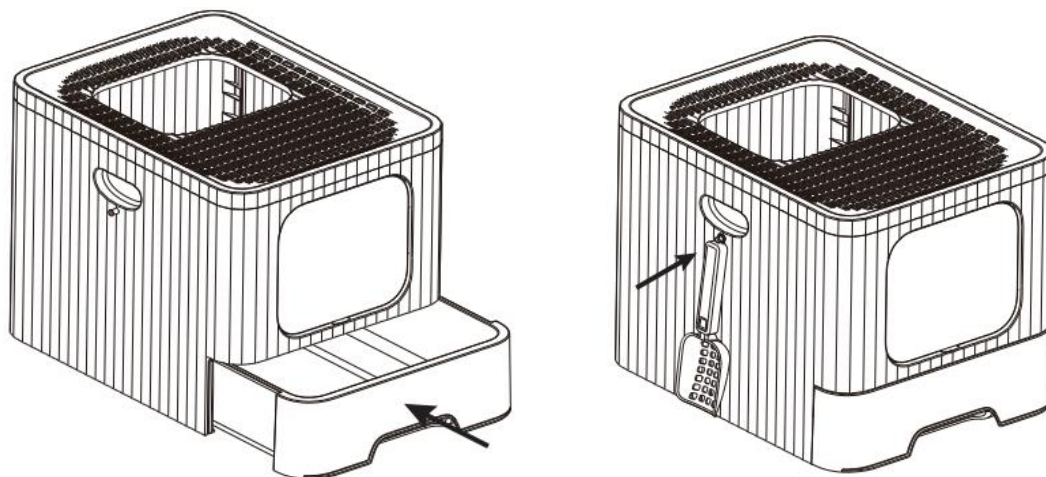
#### Step 4.

Install the hooks on both sides of panels C, then install cat litter board G into the position shown in the figure.



#### Step 5.

Insert drawer E into the cat litter box, hang the cat litter scoop on the hook which is on the side panel.



#### WARNING:

For your pet's safety, inspect regularly and remove if damaged.  
Always supervise your pet during use.