

Assembly Instructions

K: 43276660 | T: 68949952 BAMBOO TIER PLANT STAND

CARE INSTRUCTIONS:





WIPE CLEAN WITH A SOFT DAMP CLOTH. DO NOT USE ABRASIVE MATERIAL AND SOLVENTS. CHECK AND TIGHTEN ALL PARTS REGULARLY.

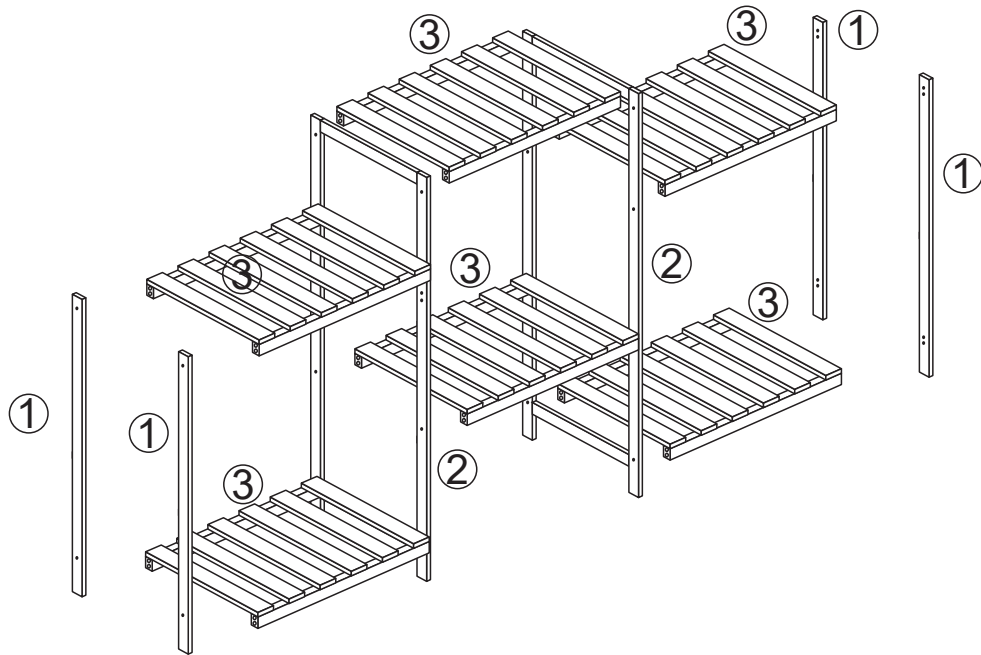
WARNING:

DO NOT STAND ON THE UNIT. USE ONLY ON A FLAT SURFACE. DO NOT USE UNTIL ALL SCREWS, BOLTS AND KNOBS ARE FIRMLY SECURED. THIS PRODUCT CONTAINS SMALL PARTS AND SHARP POINTS, KEEP AWAY FROM CHILDREN AND BABIES. ADULT ASSEMBLY REQUIRED. FAILURE TO FOLLOW THESE WARNINGS COULD RESULT IN SERIOUS INJURY.

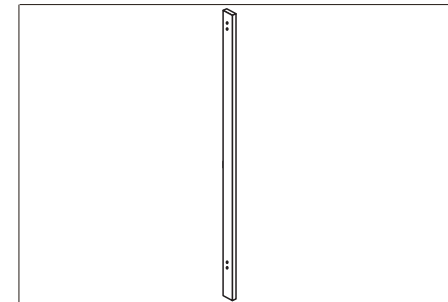
MAXIMUM SAFE LOAD: 5KG FOR EACH SHELF .

Hardware list

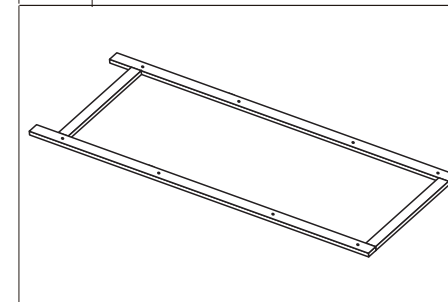
	A	Ø4x30mm	25PCS		D	30mm	1PC
	B	Ø6x25mm	24PCS				
	C	25x120mm	1PC				



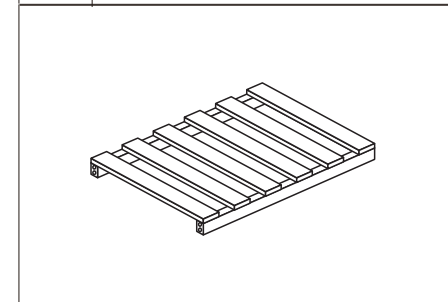
Do not tighten the screws fully during assembly.
Fully tighten screws after the final assembly steps



① 4PCS

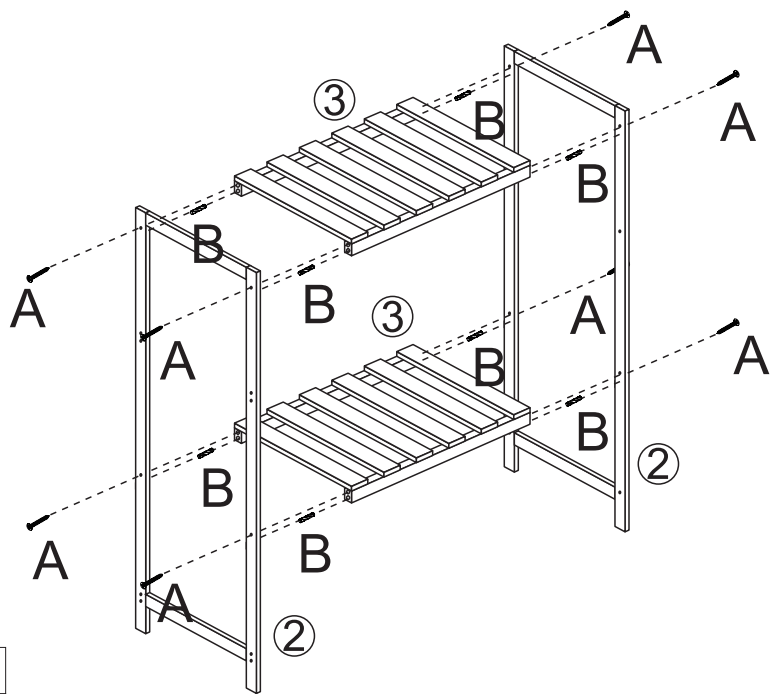


② 2PCS



③ 6PCS

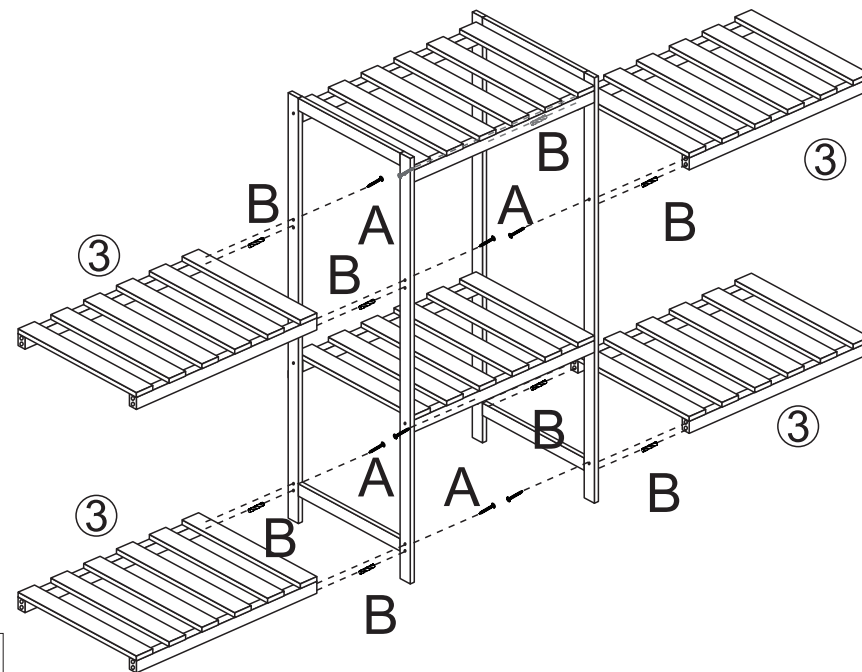
STEP 1:



 Ax8

 Bx8

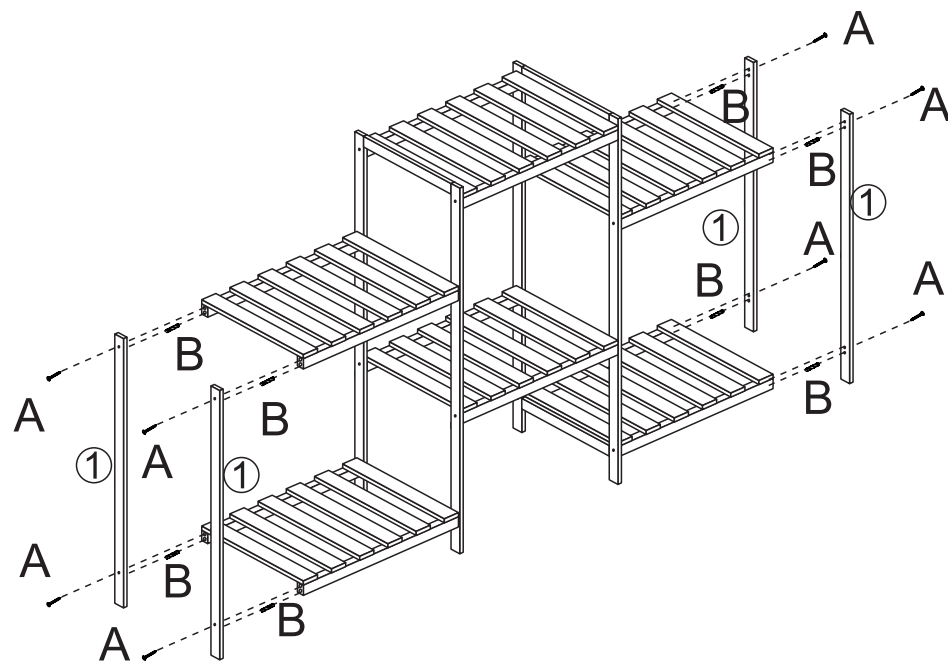
STEP 2:



 Ax8

 Bx8

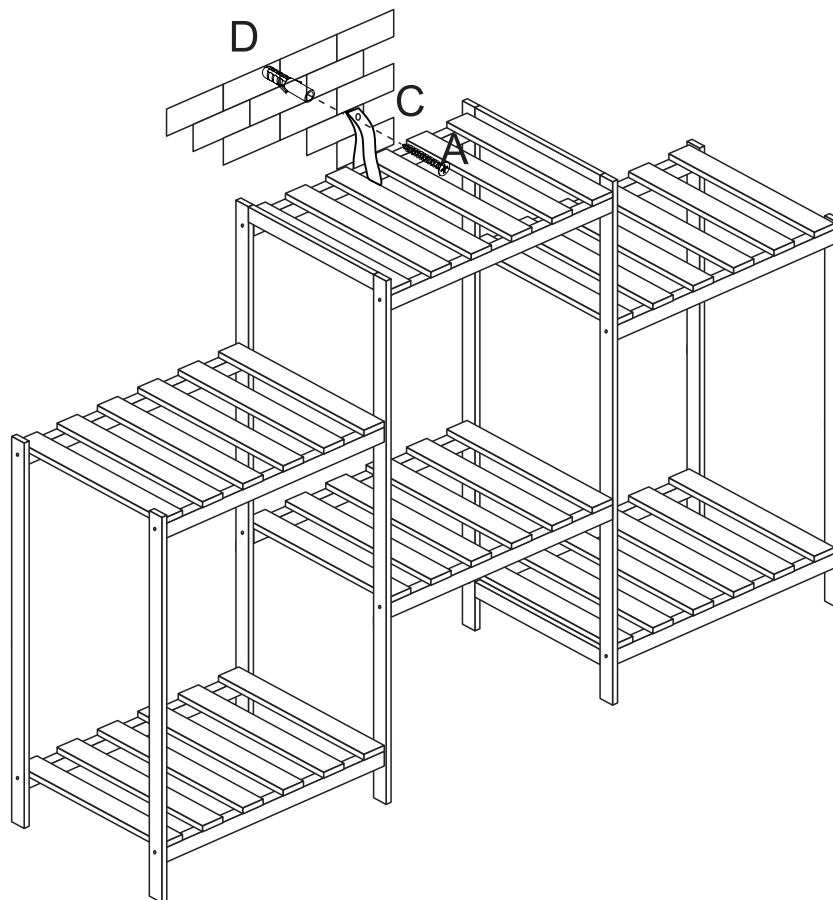
STEP 3:



 Ax8

 Bx8

STEP 4:

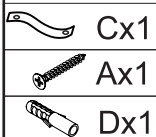


TOPPLING FURNITURE WARNING:

- It is strongly recommended that this product is permanently fixed to the wall.
- Please seek professional advice if you are in doubt of what fixing device to use.
- Regularly check that anchors are securely maintained.
- Stability of tall items may be affected by thick pile carpet or uneven floors .
- Do not place unanchored televisions on furniture .

CAUTION: for your safety when attaching the anchor fixings, please note the following:

- Check any electrical wires or plumbing inside the wall before drilling any holes (if you are unsure please seek professional advice from a qualified tradesperson).



CAUTION! MOVE THIS ITEM BY GRASPING SIDE FRAME, DON'T GRASP THE BAMBOO STRIP



TOPPLING HAZARD

WARNING: PLEASE SECURE YOUR FURNITURE WITH THE SUPPLIED WALL FIXING. SCAN THE CODE FOR MORE INFORMATION.

