

## Mesh Bassinet Instruction Manual

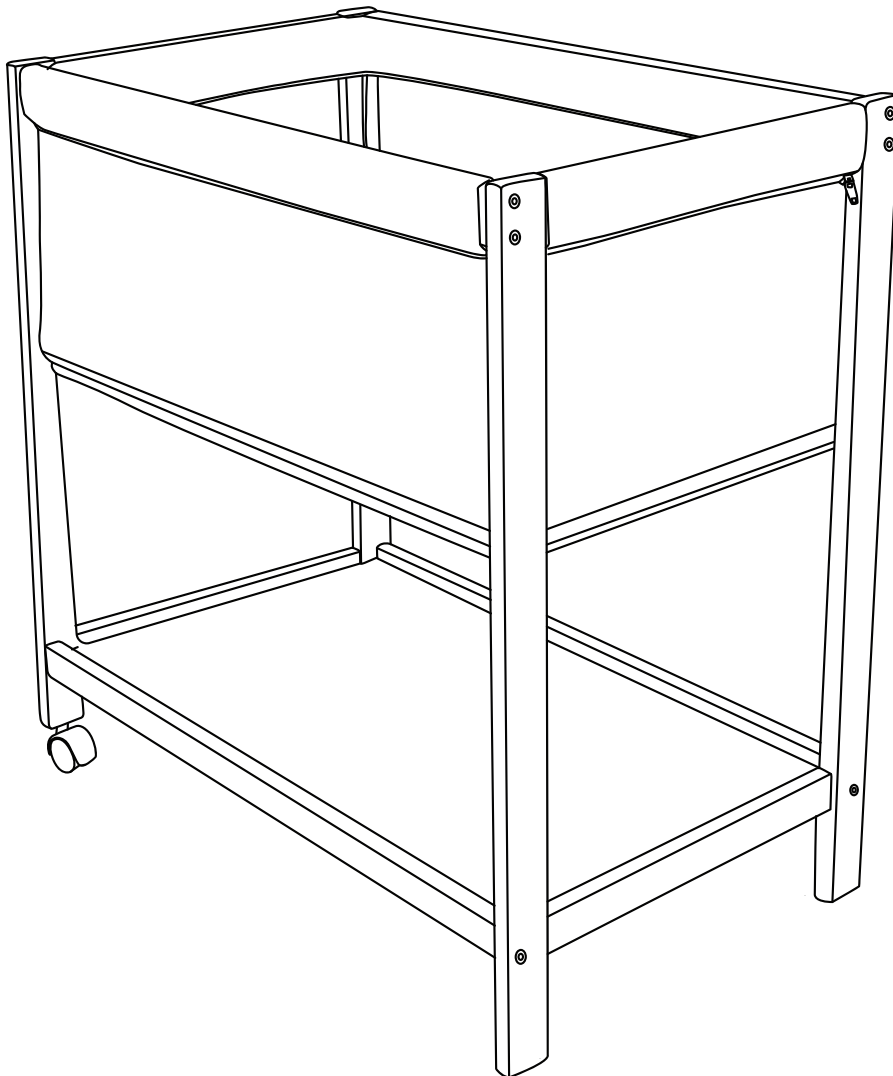
**0-6**  
months

**9**  
kg

**5**  
kg

MAXIMUM  
WEIGHT OF  
CHILD

MAXIMUM  
LOAD WEIGHT  
OF SHELF

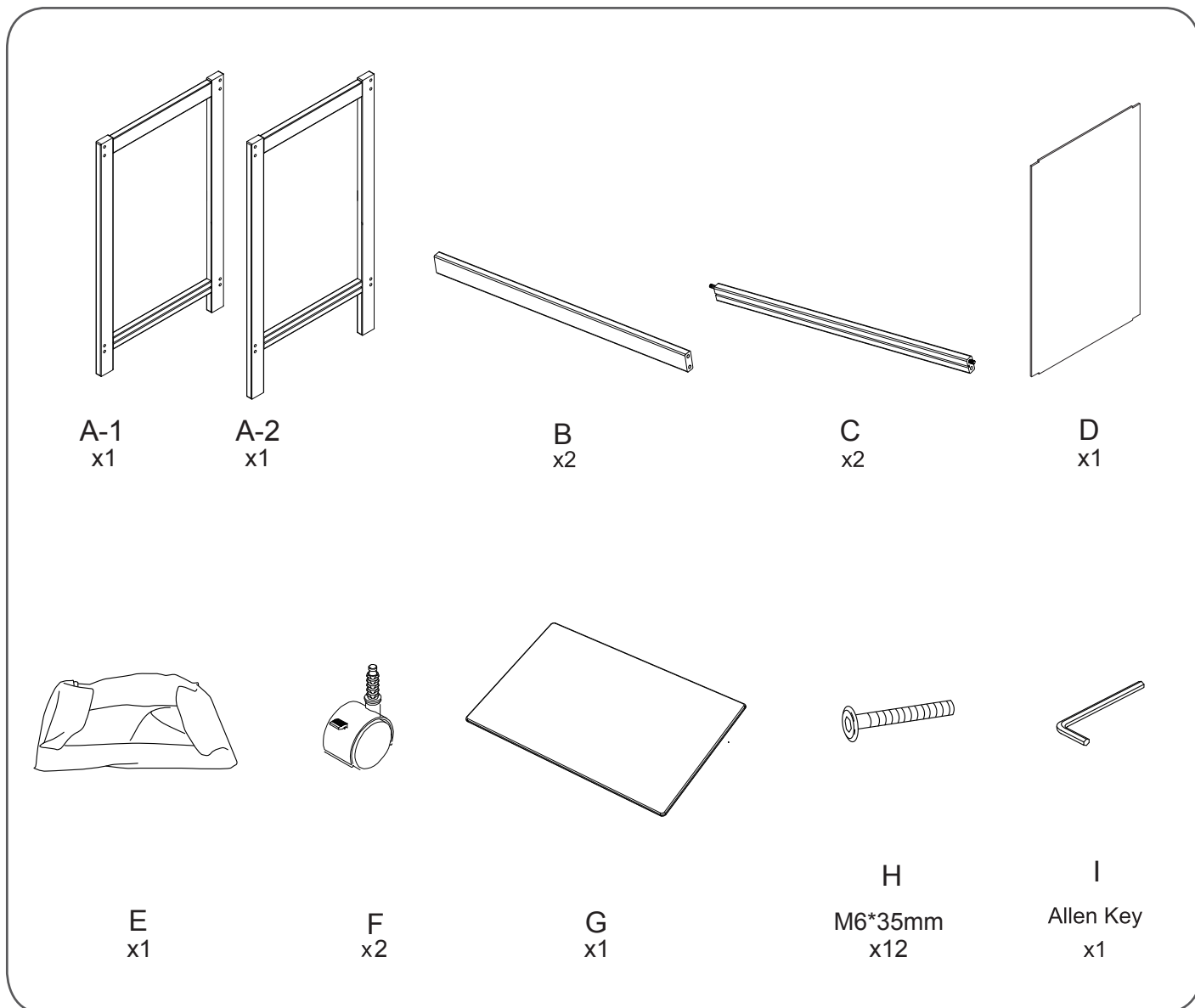


The photos and illustrations shown in this instruction manual are generic.  
The manufacturer reserves the right to change any specification or feature without prior notice.

**IMPORTANT: KEEP FOR FUTURE REFERENCE. READ CAREFULLY.**

Read these instructions carefully before use and keep for future reference. The child may be hurt if you do not follow these instructions.

## Supplied loose in box

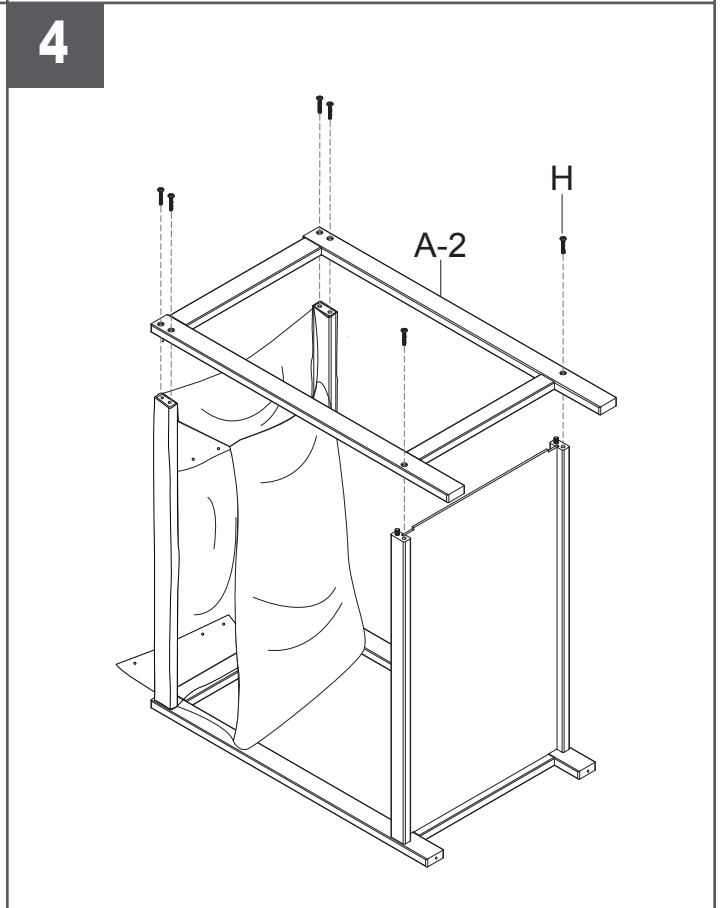
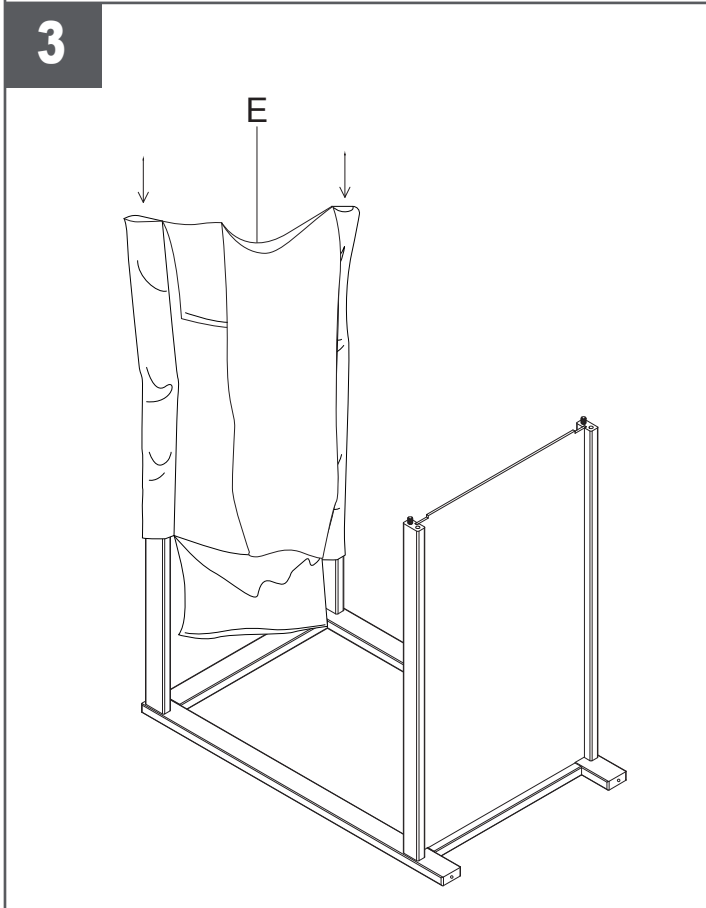
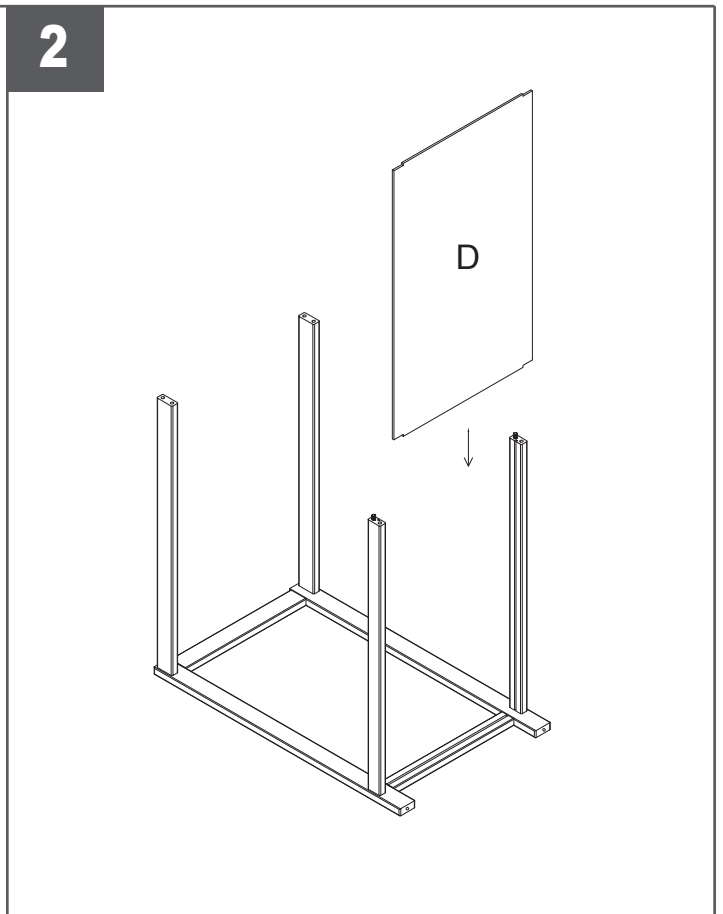
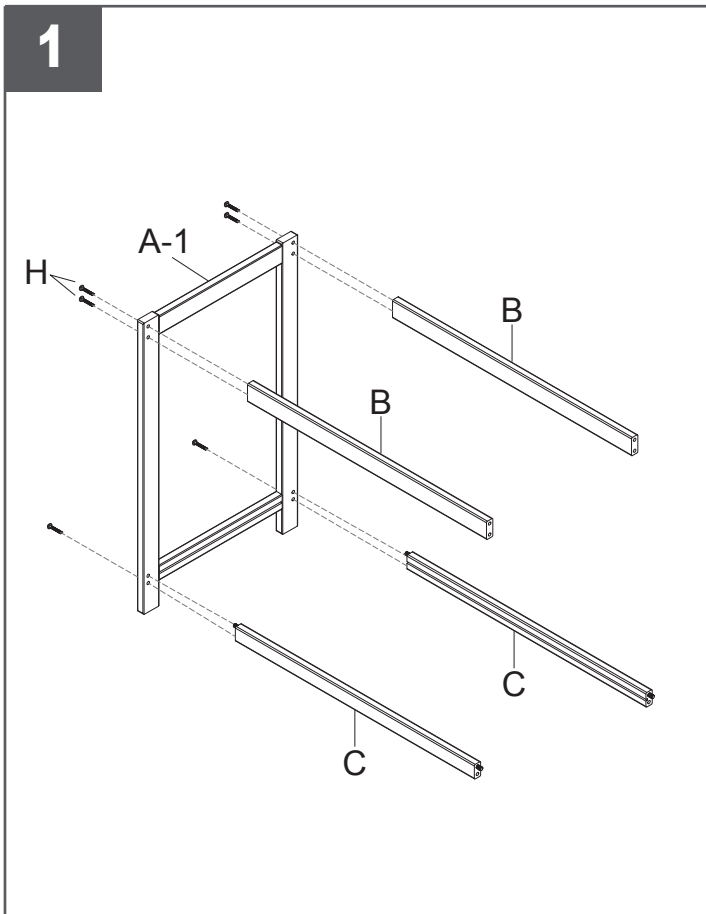


- As small parts are involved in assembly, children should be kept clear of the assembly area.
- Dispose of all packaging material immediately after the bassinet is assembled.
- Identify all parts and components.

**⚠ WARNING ⚠**

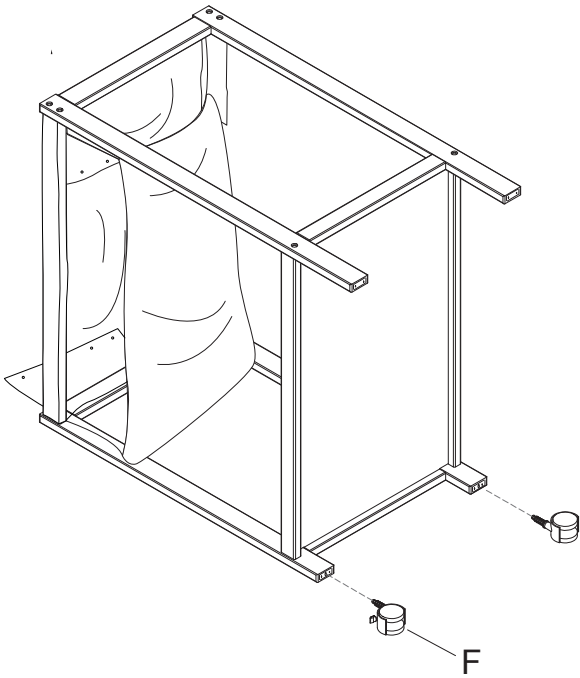
**DO NOT OVER TIGHTEN BOLTS. OVER TIGHTENING BOLTS CAN CAUSE PANELS TO CRACK.**

# To assemble bassinets

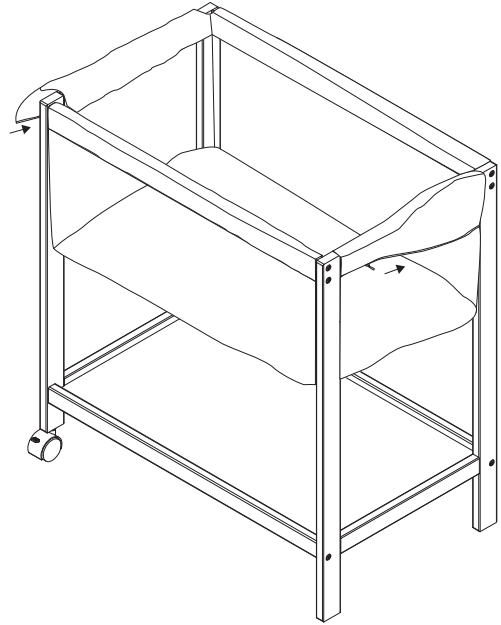


# To assemble bassinets

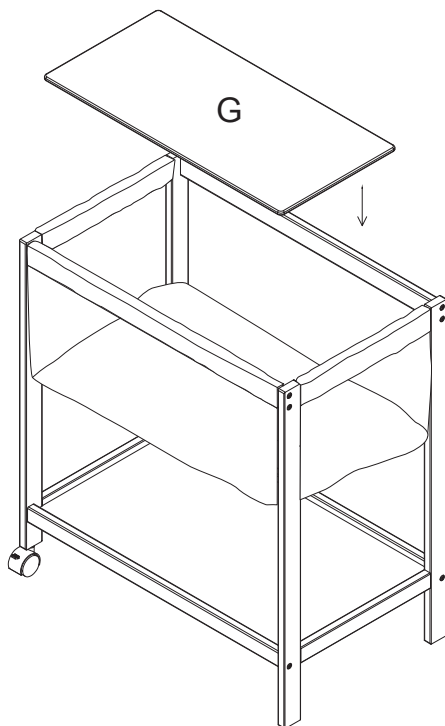
5



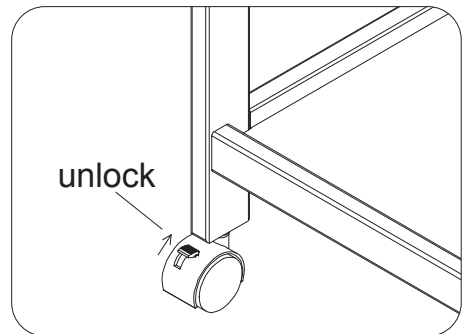
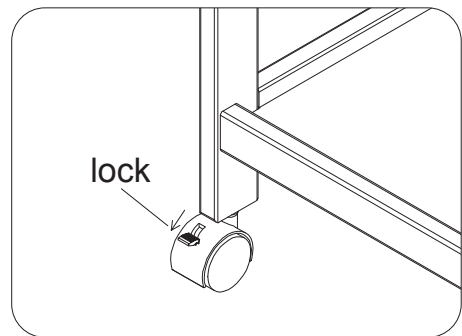
6



7



8



# **WARNING:**

**READ ALL INSTRUCTIONS BEFORE ASSEMBLY AND USE OF THE BASSINET. FAILURE TO FOLLOW THESE WARNINGS AND THE INSTRUCTIONS COULD RESULT IN DEATH OR SERIOUS INJURY. ADULT ASSEMBLY IS REQUIRED.**

## **SUFFOCATION HAZARD - BABIES HAVE SUFFOCATED:**

- ON PILLOWS, COMFORTERS AND EXTRA PADDING.
- IN GAPS BETWEEN A WRONG SIZE MATTRESS, OR EXTRA PADDING AND PRODUCT SIDES.
- NEVER ADD SOFT BEDDING OR PADDING.
- USE ONLY MATTRESS PROVIDED BY MANUFACTURER.
- ALWAYS PLACE BABY ON BACK TO SLEEP TO REDUCE THE RISK OF SIDS AND SUFFOCATION.
- IF A SHEET IS USED WITH THE PAD, USE ONLY THE ONE PROVIDED BY THE MANUFACTURER OR ONE SPECIFICALLY DESIGNED TO FIT THE DIMENSION OF THE PRODUCT MATTRESS.

## **FALL HAZARD: TO HELP PREVENT FALLS,**

- DO NOT USE THIS PRODUCT WHEN INFANT BEGINS TO PUSH UP ON HANDS AND KNEES OR HAS REACHED MANUFACTURER'S MAXIMUM WEIGHT OF 9 KGS, WHICHEVER COMES FIRST.
- Use bassinet with only one child at a time.
- **ALWAYS** attach all provided fasteners (strings, straps, clamps etc) tightly to the bassinet according to the instructions. Check frequently.
- Strings can cause strangulation! **DO NOT** place items with a string around a child's neck, such as hood strings or pacifier cords.
- **DO NOT** suspend strings over a bassinet or attach strings to toys.
- **DO NOT** leave child unattended in the bassinet.
- **NEVER** place bassinet near a window where cords from curtains can strangle a child.
- Remove any tools or excess parts including plastic packaging from the bassinet vicinity after its assembly.
- Discontinue use of the bassinet before the infant can sit up by themselves.
- **DO NOT** use if any part of the bassinet/cradle is broken, torn or missing.
- **DO NOT** place the bassinet near a space heater, open fire or other source of strong heat.

- Use **ONLY** on a flat, dry floor.
- Padding and cushioning materials, including the mattress are to be sufficiently firm to preclude conforming to the contours of the infants face.
- Ensure proper ventilation is maintained in and around the bassinet by limiting bed clothes, extra pillows or toys.
- Ensure the bassinet is placed at a reasonable distance from curtains, blinds, heaters and power points.
- Ribbons or lace associated with the bedding may entangle the infant.
- Promptly replace worn out or broken parts.
- Please keep medication, string, elastic, small toys or small items such as money out of reach from any position in the bassinet.

### **RECOMMENDED MATTRESS SIZE (SUPPLIED):**

- This bassinet has been manufactured for use with a mattress which measures 450mm wide x 756mm long.
- The width and length are specified because it is important that the gaps between the mattress and the sides and ends of the bassinet will not exceed 20mm. This is to minimise the risk of a child's limb becoming caught in the gap.

### **CARE INSTRUCTIONS:**

- To ensure the long lasting use of your bassinet, dry it with a soft absorbent cloth after use.
- Use a damp cloth to clean the frame.
- Do not use abrasive cleaners.
- Allow to dry completely before storing.
- Do not dry clean or use bleach on fabrics or trims.
- Do not machine wash, tumble or spin dry, unless the care labeling on the product permits these methods.
- Check bassinet regularly to ensure that locking devices and components are secure and working properly.
- Always check parts regularly for tightness of screws, nuts and fasteners. Tighten or replace if required.
- To maintain the safety of your bassinet, seek prompt repairs for bent, torn, worn or broken parts.
- Use only those parts and accessories approved by the manufacturer.

**KEYCODE: 43-279-524**

**MADE IN CHINA**

© KMART AUSTRALIA LIMITED

FOR AU / NZ: IMPORTED FOR KMART STORES IN AUSTRALIA AND NEW ZEALAND.

KMART AUSTRALIA - 690 SPRINGVALE ROAD, MULGRAVE, VIC 3170 AUSTRALIA.

KMART NEW ZEALAND - REGIONAL OFFICE C/O KMART PAPATOETOE STORE,  
HUNTERS PLAZA, GREAT SOUTH ROAD, PAPATOETOE, AUCKLAND, NEW ZEALAND.

KMART CUSTOMER SERVICE:

AU: 1800 124 125

NZ: 0800 945 995