

Assembly Instructions

43318308 Scandi Desk

CARE INSTRUCTIONS:











TO BE ASSEMBLED ON A CLEAN, DRY AND SMOOTH SURFACE. WIPE CLEAN WITH A SOFT DAMP CLOTH. NEVER USE SCOURERS, ABRASIVES OR CHEMICAL SOLVENTS. CHECK AND TIGHTEN ALL PARTS REGULARLY. KEEP AWAY FROM MOISTURE AND DIRECT SUNLIGHT. STORE IN A DRY PLACE. FOR INDOOR USE ONLY.

WARNING!

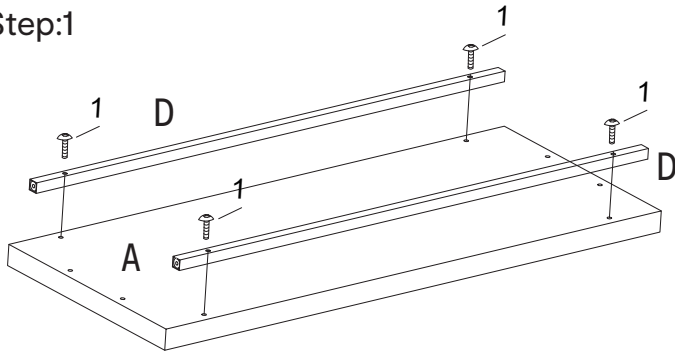
DO NOT STAND, SIT OR LEAN ON THIS UNIT. DO NOT USE THIS TABLE AS A STEP LADDER OR AS A CHOPPING SURFACE. ENSURE THIS TABLE IS USED ONLY ON A FLAT SURFACE. DO NOT USE THIS TABLE UNLESS ALL BOLTS AND SCREWS ARE FIRMLY SECURED. DO NOT PLACE HOT ITEMS SUCH AS COFFEE CUPS DIRECTLY ON THE SURFACE OF THIS FURNITURE ITEM. KEEP AWAY FROM CHILDREN AND BABIES. THIS PACKAGE CONTAINS SMALL PARTS AND SHARP POINTS. ADULT ASSEMBLY REQUIRED. A MILD ODOUR MAY BE PRESENT WHEN FIRST OPENING THIS CARTON. SIMPLY ALLOW TO AIR OUTSIDE AND THIS WILL FADE.

MAXIMUM SAFE LOAD: TABLE TOP 30KG. FAILURE TO FOLLOW THESE WARNINGS COULD RESULT IN SERIOUS INJURY.

Hardware list

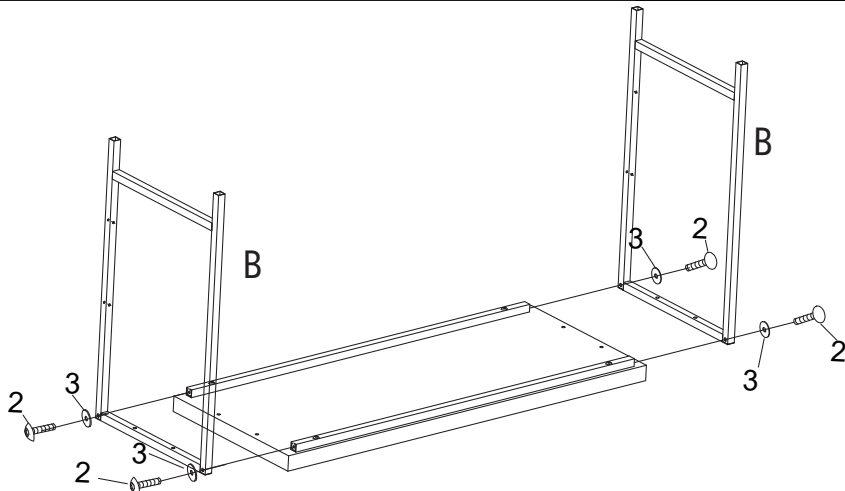
#1	 6X30mm Bolt	8pcs	Tools		2pcs
#2	 8X35mm Bolt	4pcs		A 	1 pcs
#3	 8mm Washer	4pcs		B 	2 pcs
#4	 4X28mm Bolt	4pcs		C 	1 pcs
#5	 4mm Nut	4pcs		D 	2 pcs

Step:1

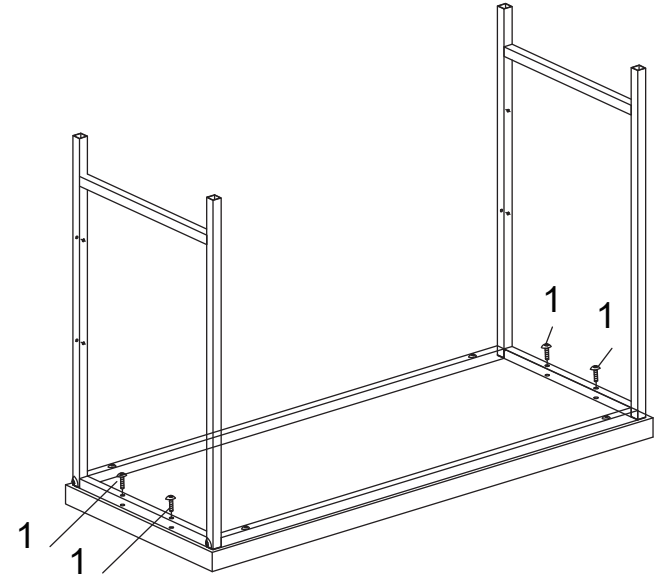


ATTENTION:
DO NOT TIGHTEN THE SCREWS FULLY DURING ASSEMBLY.
FULLY TIGHTEN SCREWS AFTER THE FINAL ASSEMBLY STEP.

Step:2



Step:3



Step:4

