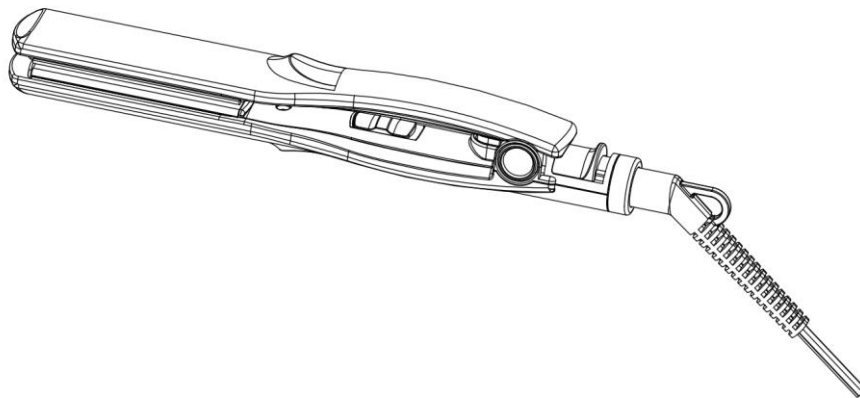


anko

Mini Straightener

CS-615

User Manual



PLEASE READ AND SAVE THESE
INSTRUCTIONS FOR FUTURE REFERENCE

IMPORTANT SAFEGUARDS

When using any electrical product, always follow these basic safety precautions:



READ ALL INSTRUCTIONS BEFORE USE.

Please read this instruction manual before using your product and keep it in a safe place for future reference. If you pass the appliance on to anyone else, please include this manual.

SAFETY PRECAUTIONS

- Carefully read all instructions before operation and retain for future reference.
- Do not place near the edge of a bench or table during operation.
- Always place the appliance on a heat-resistant stable flat surface.
- Ensure the surface is dry, level, clean and free of liquid and other substances.
- Do not leave the appliance unattended when the appliance is connected to mains power. Always ensure the appliance is turned off by switching off and then disconnecting the appliance from mains power when not in use.
- Always keep the appliance clean.
- Fully unwind the cord before use.
- To protect against electric shock, do not immerse the power cord, plug or appliance in water or any other liquid.
- Do not allow the cord to hang over the edge of the table or bench, touch hot surfaces or become knotted.
- This appliance is not intended for use by persons (including children) with reduced physical, sensory or mental capabilities, or lack of experience and knowledge, unless they have been given supervision or instructions concerning use of the appliance by a person responsible for their safety.
- Children should be supervised to ensure that they do not play with this appliance.
- If the supply cord is damaged do not use. Any repairs to the product must be carried out by qualified electrical person only or the product must be disposed.
- This product is intended for household use only. Do not use it outdoors or for commercial industrial purposes.
- NEVER grasp the appliance, power cable or power plug with wet hands.
- Always remove the power cable from the socket by pulling on the plug; do not pull on the cable itself. Do not hold or carry the appliance by the power cord.
- Do not fold or crush the power cable. Ensure that the power cable does not run over sharp edges.
- Please do not attempt to dismantle the appliance. This appliance has no user-serviceable parts inside.
- When the appliance is used in a bathroom, disconnect from mains power after use. Using the product proximity of water presents a hazard even when the appliance is switched off.
- Do not use outdoors or operate where aerosol (spray) products are being used or where oxygen is being administered.

- For additional electrical protection, the installation of a residual current device (RCD/ Safety switch) having a rated residual operating current not exceeding 30mA is advisable in the electrical circuit supplying the bathroom. If unsure, check with your electrician.
- For cleaning and maintenance, please refer to the “CLEANING AND MAINTENANCE” section.
- **BURN HAZARD!** Keep appliance out of reach from young children, particularly during use and cool down.
- When the appliance is connected to the power supply, never leave it unattended.
- Always place the appliance with the stand, if any, on a heat-resistant, stable flat surface.

RISK OF FIRE

- Do not leave the appliance unattended when in use.
- To avoid a build-up of heat, NEVER cover the appliance. Do not use the appliance under a blanket or at other poorly ventilated locations
- Avoid the addition of heat from other sources, e.g., from direct sunlight, heating appliances, other devices, etc.
- Do not use an extension cable. In the event of danger, the supply cord plug must be quickly and easily accessible.

ELECTRICAL REQUIREMENT

- Check that the voltage on the rating plate of your appliance corresponds with your house electricity supply.

IMPORTANT!

- **The plug removed from the mains lead, if severed, must be destroyed as a plug with bared flexible cord is hazardous if engaged into a live socket.**
- **If the supply cord is damaged do not use. Any repairs to the product must be carried out by qualified electrical person only or the product must be disposed of.**



Danger of suffocation! Keep all packaging material away from children.
Dispose of the packaging materials in an appropriate way. Contact your local authorities about collection points or waste separation.



Caution Risk of Burning! The appliance gets very hot!
Take care to avoid contact between the hot surfaces of the unit and the skin, paying particular attention to the face, neck and hands



WARNING: Do not use this appliance near bathtubs, showers, basins or other vessels containing water.

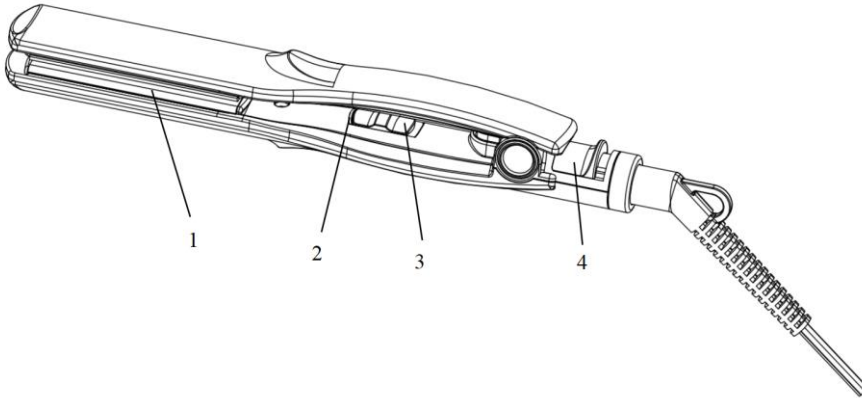


Class II Appliance.

INTRODUCTION

Use this appliance to straighten human hair only. Do not use this appliance on artificial hair or animals. The appliance may have different results depending on the hair type. Therefore, we recommend to do a trial at a hidden spot before first use. The hair straightener is not recommended for damaged or bleached hair.

PARTS



- | | |
|------------------|--------------------|
| 1. Heat plate | 2. Power indicator |
| 3. On/Off switch | 4. Plate Lock |

BEFORE FIRST USE

- After unpacking the appliance, check for transport damage and that all the parts mentioned in this manual are present. In the event of damaged or missing parts, return the product to **respective Customer Service Centre**.
- Do not discard the original box. It can be used for storage and dispatch to avoid transport damage.
- Clean the appliance as described in Cleaning and Maintenance. For your safety, pay particular attention to the safety instructions in the manual.

OPERATION

WARNING! Never touch the hot heating plates. Always use the handle to hold the hair straightener.

ATTENTION! The heating plates cool down slower than they heat up.

- Unlock the heat plates, and fully unwind the supply cord. Make sure the ON/OFF switch is in OFF position.
- Place the appliance on a smooth, flat, dry and heat resistant surface.
- Connect the power cord plug into a mains power outlet socket.
- Push the ON/OFF switch to ON position, the power indicator will light up.

ATTENTION! The heating plates heat up very fast. It takes approx. 3 minutes to each max. temperature.

- When the appliance is ready, you may start hair styling.
- To begin straightening hair, take a section no more than 4 to 5cm wide. Place the hair between the two flat plates as close as you can near the scalp.
- Hold the plates tight for a couple of seconds and slide the straightener in even motion

towards the ends. For the best results, hold the hair while smoothing the section.

- **CAUTION! Do not hold the hair between the plates for more than a couple of seconds as this may damage/burn your hair.**
- When you have finished one section, move to another area of hair and repeat the process. Allow the hair to cool before combing through.
- After use, turn OFF the appliance, make sure the power indicator has gone off.
- Unplug the appliance from mains power and allow it to cool down.
- **CAUTION!** Allow to cool down completely before storing.
- **CAUTION!** Always unplug the appliance immediately after use in case of malfunction or before cleaning.
- **IMPORTANT!** The appliance may provide different results depending on the hair type. Therefore, we recommend carrying out a trial on a hidden inconspicuous area of your hair before first use.
- **This hair straightener is not recommended for use on damaged or bleached hair.**

CLEANING AND MAINTENANCE

- **ATTENTION!** Turn off the appliance before cleaning and disconnect the plug from mains power outlet.
- **ATTENTION!** Do not use any alcohol, acetone, gasoline, abrasive cleaning agents, etc. to clean the plastic components. Do not use hard brushes or metal objects for cleaning.
- **Risk of burning!** Do not clean the appliance while still hot.
- Wipe the appliance with a dry cloth.
- Never submerge the appliance in water or let water run over the heating plates or the appliance.
- The heating plates can be cleaned with a slightly damp cloth and a little detergent if necessary. Dry thoroughly after cleaning.

STORAGE

- Store the appliance in a cool, dry location, away from children and pets.
- After use, do not wrap the cord around the appliance as in time this may cause the cord to fracture. Coil cord loosely by the side of the appliance after use and when storing.
- If the appliance is not used for an extended period, store it preferably in its original packaging.

DISPOSAL

- Do not dispose this product with normal household waste collection. If unsure, contact the local council waste management service for proper disposal facilities available for your area.

TECHNICAL DATA

Voltage: 100-240V~ 50-60Hz

Power: 25W

12 Month Warranty

Thank you for your purchase.

Your new product is warranted to be free from defects in materials and workmanship for the period stated above, from the date of purchase, provided that the product is used in accordance with accompanying recommendations or instructions where provided. This warranty is in addition to your rights under the Australian Consumer Law.

For New Zealand customers, this warranty is in addition to statutory rights observed under New Zealand legislation.

We will provide you with your choice of a refund, repair (where possible) or exchange (availability dependent) for this product if it becomes defective within the warranty period. The business will bear the reasonable expense of claiming the warranty.

This warranty will no longer apply where the defect is a result of alteration, accident, misuse, abuse or neglect.

Please retain your receipt as proof of purchase and contact our Customer Service Centre as listed below, for the entity you purchased this product from, for any difficulties with your product. Warranty claims and claims for expense incurred in returning this product can be addressed to the respective Customer Service Centre.

Our goods come with guarantees that cannot be excluded under the Australian Consumer Law. You are entitled to a replacement or refund for a major failure and compensation for any other reasonably foreseeable loss or damage. You are also entitled to have the goods repaired or replaced if the goods fail to be of acceptable quality and the failure does not amount to a major failure.

Contact for Kmart purchases	Contact for Target purchases
Kmart Australia Ltd. C/- Customer Service Centre 690 Springvale Road, Mulgrave Vic 3170 Customer Service: 1800 124 125 (Australia) or 0800 945 995 (New Zealand) or via Customer Help at kmart.com.au	Target Australia Pty Ltd C/- Customer Service Centre 2 Kendall Street, Williams Landing, Vic, 3027 Customer Service: 1300 753 567 or via Customer Help at target.com.au/help/contact-us