

anko

Shaving Kit RFC-2018 User Manual



**PLEASE READ AND SAVE THESE
INSTRUCTIONS FOR FUTURE REFERENCE**

IMPORTANT SAFETY GUARDS

To ensure proper operation of this appliance, please read this instruction manual completely and carefully before using the appliance and keep it for future reference.

WARNING!

1. Only use the appliance as described in this manual.
2. This appliance contains batteries that are non-replaceable.
3. To protect against the risk of electric shock, DO NOT immerse the appliance, USB cable in water or other liquid.
4. DO NOT use or store the product near sinks, bath or showers containing water or near running water.
5. Always check the appliance for damage prior to use. If any damage is observed, do not use the appliance.
6. The appliance is intended for indoor use only.
7. Always switch the appliance OFF after use.
8. This appliance has no user serviceable parts. Do not attempt to access the internal components in the appliance.
9. This appliance is for personal use only, not designed for commercial use.
10. Do not use it outdoors.
11. **Do not use** the appliance if it is not working properly, if it has been dropped or if it has been immersed in any liquid.
12. Before using the appliance, ensure that the trimmer head is securely fitted and not damaged.
13. Do not use the appliance on children.
14. The appliance is not to be used by persons (including children) with reduced physical, sensory or mental capabilities, or lack of experience and knowledge, unless they have been given supervision or instructions concerning use of the appliance by a person responsible for their safety.
15. Children should be supervised to ensure that they do not play with the appliance.
16. Only Charge the Appliance with the USB cable that was supplied with the appliance.
17. Only Charge the Appliance from an Extra Low Voltage Battery Charger (not supplied) with an output rating 5Vd.c. 1A, same as indicated on the appliance's rating label.
18. When charging the appliance, the appliance must be switched off.
19. Use only attachments provided.
20. This product contains sharp blades, please take utmost care during handling and use.
21. Do not replace the batteries with non-rechargeable batteries.
22. To avoid personal injury, do not use the appliance with a damaged trimmer head or blade.
23. The appliance must be used only with attachments provided with the product.



WARNING: Do not recharge non-rechargeable batteries.



WARNING: Before charging the product, please make sure your hands are dry.

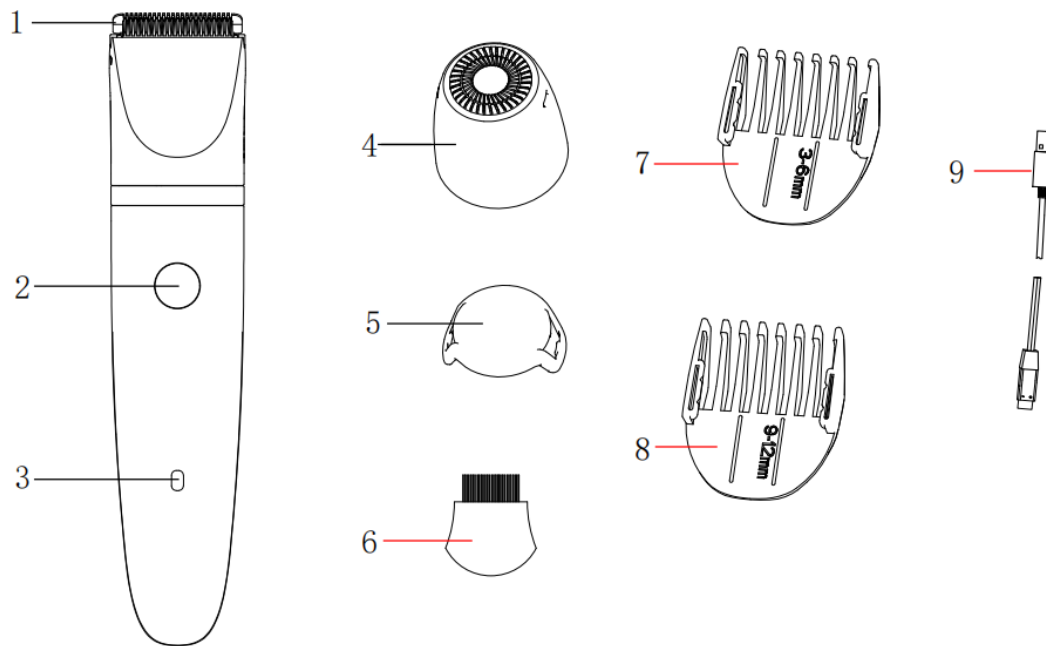


WARNING: Only use the USB cable supplied with the appliance. Use of other cable may cause electrical failure and/or fire.

PERSONAL SAFETY

- Never use the appliance on any part of the body other than trimming the hair and beard.
- **IMPORTANT! Do not use the appliance if the trimmer head is split or broken.**
- Never leave the appliance unattended while switched ON.
- Do not touch the blades as they are very sharp.
- Always ensure that the hands are dry before operating or when switching it ON or OFF.

KNOW YOUR SHAVING KIT



1. Body hair trimmer
2. On/off switch
3. Indicator light
4. Circular shaving head (for face, arms, bikini area and other parts of the body, for short and soft hair)
5. Protection cover
6. Cleaning brush
7. 3-6mm Comb attachment
8. 9-12mm Comb attachment
9. USB cord

CHARGING

- Please make sure the shaver is switched OFF before charging.
- Fully charge the shaver for 1.5 hours before first use.
- When charging, the red indicator light will light up, when finished charging, white indicator light flashes, when operating, white indicator will light up and the shaver can continuously work for approximately 1 hour.
- When the appliance has low battery charge, the red indicator light will flash to remind you to charge the shaver.

NOTE: Normal charging time of the shaver is 1.5 hours. Do not charge for more than 1.5 hours.

IMPORTANT! Use only with the USB cord provided with the product.

BATTERY CARE

To ensure maximum life of the rechargeable battery in your shaver, follow these guidelines:

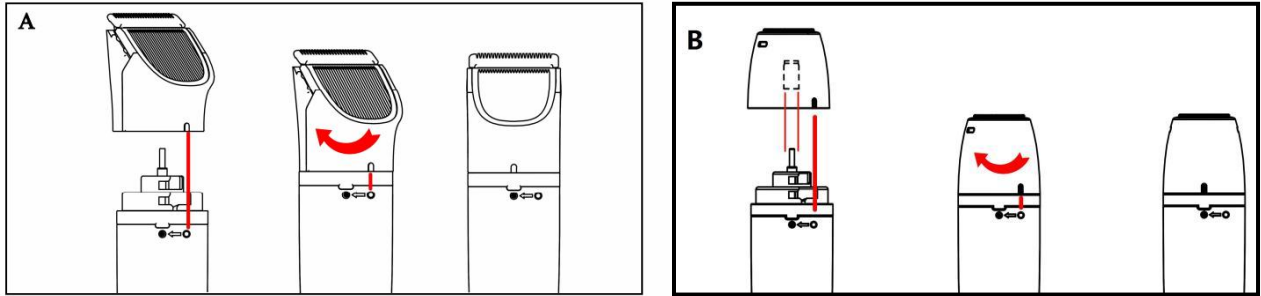
- Do not recharge the shaver between sessions. Wait until the battery is fully exhausted before recharging.
- Discharge the battery completely at least twice a year (switch ON and run until the shaver stops).
- If the shaver has not been used for a long period of time, discharge the battery completely, then fully charge it for 1.5 hours before use. This will prolong battery life.

- Never charge the shaver for more than 1.5 hours.
- Do not charge the shaver when the temperature is below 0°C or above 40°C.
- Avoid recharging the shaver in direct sunlight or near a radiating heat source.

HOW TO USE YOUR SHAVING KIT

Installation of the body hair trimmer heads

- Align the mark on the trimmer/shaver head to the hollow circle on the body.
- push in and rotate the trimmer/shaver head clockwise until the mark align to the solid circle.



Installation of the comb attachments

- Slide the comb attachment into the guiding grooves on both sides of the handle.
- Slide the comb to the desired setting.

Hair trimmer

- You can use 3-6mm comb attachment or 9-12 comb attachment that fit the body hair trimmer head.
- Turn on the device, make sure the trimmer close slowly to the skin, then apply it on the skin gently. You need to move it slowly in trimming against the hair growing direction.
- Turn off the appliance after use.

Circular shaving head

- After shortened the hair, you can now use the circular shaving head to trim, this will make your skin softer and smoother.
- Remove the protection cover from the circular shaving head, turn on the switch.
- Apply the circular shaving head to the skin and move slowly in circular motion.
- Turn off the appliance after use.

Attention: Blades are sharp. Please be careful when using!

Tip: This circular shaving head is suitable for the short and soft hair of face, lips, arms, legs etc.

CLEANING AND MAINTENANCE

- Make sure the shaver is disconnected from the USB cord and power switch is set to OFF.

Caution! Do not touch the metal parts of the shaving blade to prevent injury.

- Remove the accessory and the blade. Clean with the cleaning brush supplied, then rinse the trimmer/shaver head under a tap.
- Use a damp cloth to clean the main unit then dry it thoroughly.
- Allow all the parts dry, the cutting blades should be slightly oiled once every few haircuts.
- Place the protective cap on the shaver head.
- Store the appliance in a cool, dry location.

BATTERY DISPOSAL

If the shaver is to be disposed the batteries should be removed from the appliance before it is scrapped. The shaver must be disconnected from the charger when removing the battery. The battery should be disposed safely. Used batteries should be taken to a recycling facility and not disposed of with household waste.

IMPORTANT: Always fully discharge the batteries before removal and ensure the charger is unplugged.

TECHNICAL DATA

Model no.	RFC-1208
Working time	Approx. 60 minutes
Charging time	Approx. 90 minutes
Input	5V $\overline{=}$ 1.0A
Battery type	Li-ion, 500mAh, 3.7V x1 cell

12 Month Warranty

Thank you for your purchase.

Your new product is warranted to be free from defects in materials and workmanship for the period stated above, from the date of purchase, provided that the product is used in accordance with accompanying recommendations or instructions where provided. This warranty is in addition to your rights under the Australian Consumer Law.

For New Zealand customers, this warranty is in addition to statutory rights observed under New Zealand legislation.

We will provide you with your choice of a refund, repair (where possible) or exchange (availability dependent) for this product if it becomes defective within the warranty period. The business will bear the reasonable expense of claiming the warranty.

This warranty will no longer apply where the defect is a result of alteration, accident, misuse, abuse or neglect.

Please retain your receipt as proof of purchase and contact our Customer Service Centre as listed below, for the entity you purchased this product from, for any difficulties with your product. Warranty claims and claims for expense incurred in returning this product can be addressed to the respective Customer Service Centre.

Our goods come with guarantees that cannot be excluded under the Australian Consumer Law. You are entitled to a replacement or refund for a major failure and compensation for any other reasonably foreseeable loss or damage. You are also entitled to have the goods repaired or replaced if the goods fail to be of acceptable quality and the failure does not amount to a major failure.

Contact for Kmart purchases	Contact for Target purchases
Kmart Australia Ltd. C/- Customer Service Centre 690 Springvale Road, Mulgrave Vic 3170 Customer Service: 1800 124 125 (Australia) or 0800 945 995 (New Zealand) or via Customer Help at kmart.com.au	Target Australia Pty Ltd C/- Customer Service Centre 2 Kendall Street, Williams Landing, Vic, 3027 Customer Service: 1300 753 567 or via Customer Help at target.com.au/help/contact-us