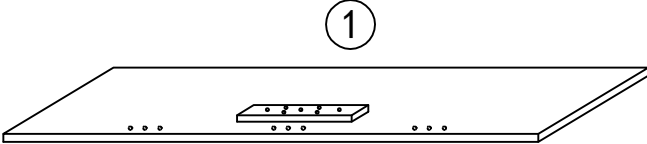
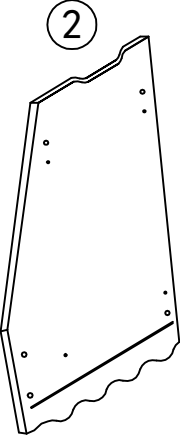
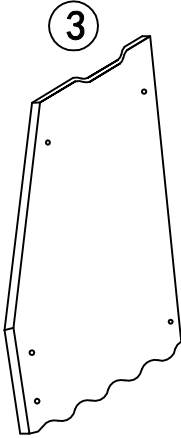
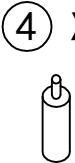
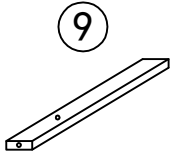

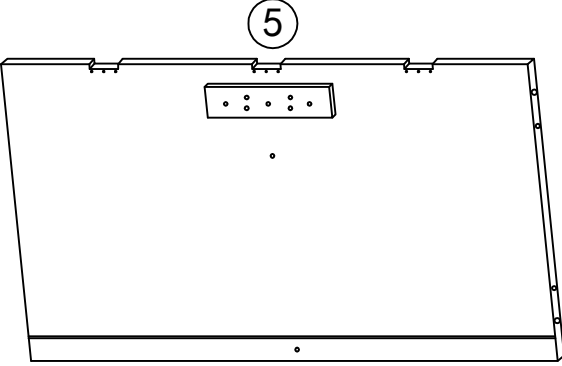
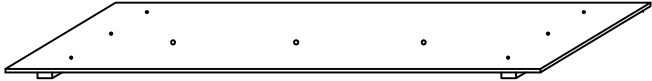
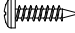
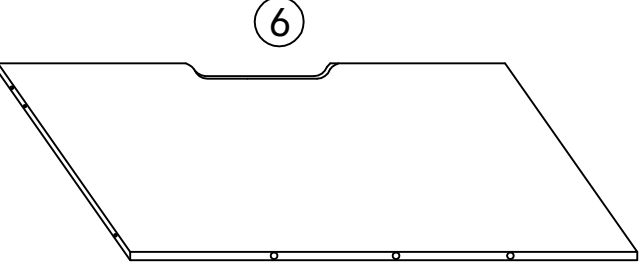
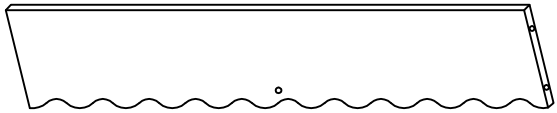
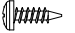

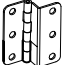

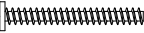
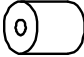

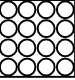


Assembly Instructions

 <p>1</p>	 <p>2</p>	 <p>3</p>	 <p>4 X4</p>  <p>9</p>	 <p>A X15</p>
 <p>5</p>	 <p>7</p>		 <p>B X8</p>	
 <p>6</p>	 <p>8</p>		 <p>C X18</p>	
			 <p>D X8</p>	
			 <p>E X3</p>	
			 <p>F X2</p>	
			 <p>G X1</p>	
			 <p>H X1</p>	
			 <p>I X1</p>	
			 <p>K X1</p>	

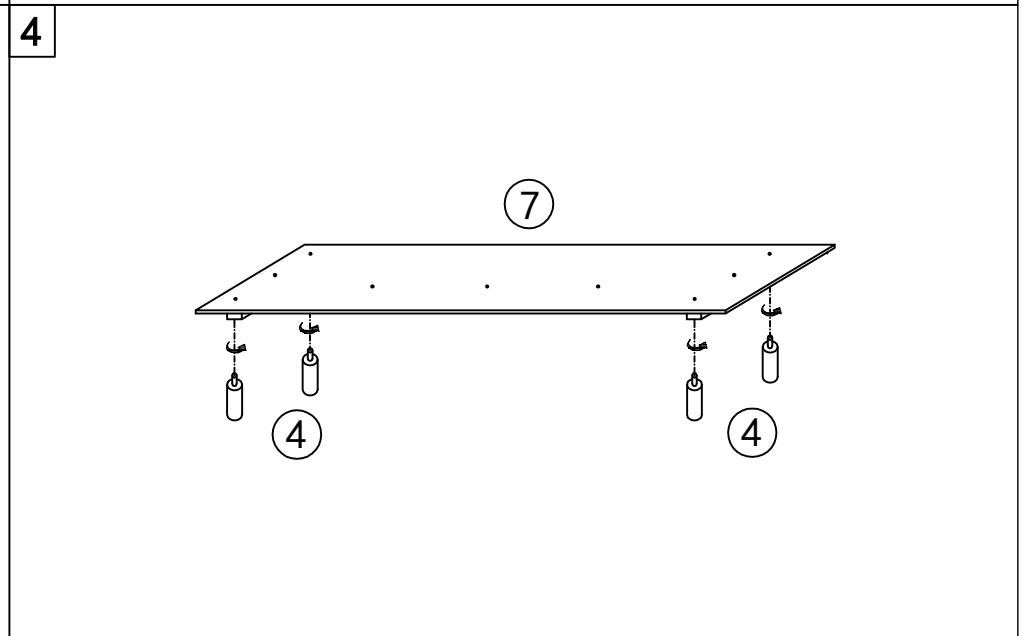
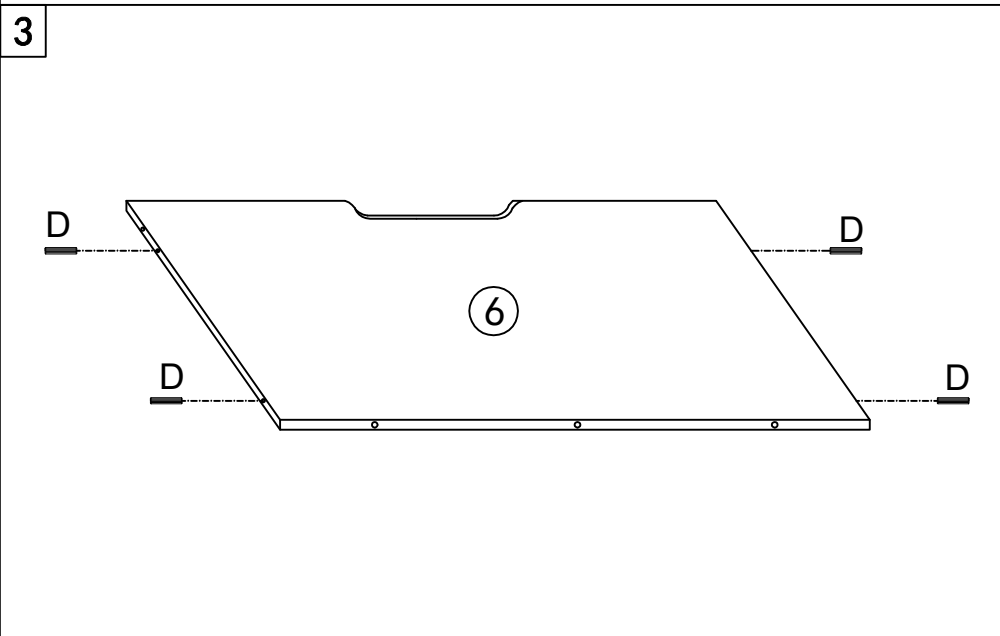
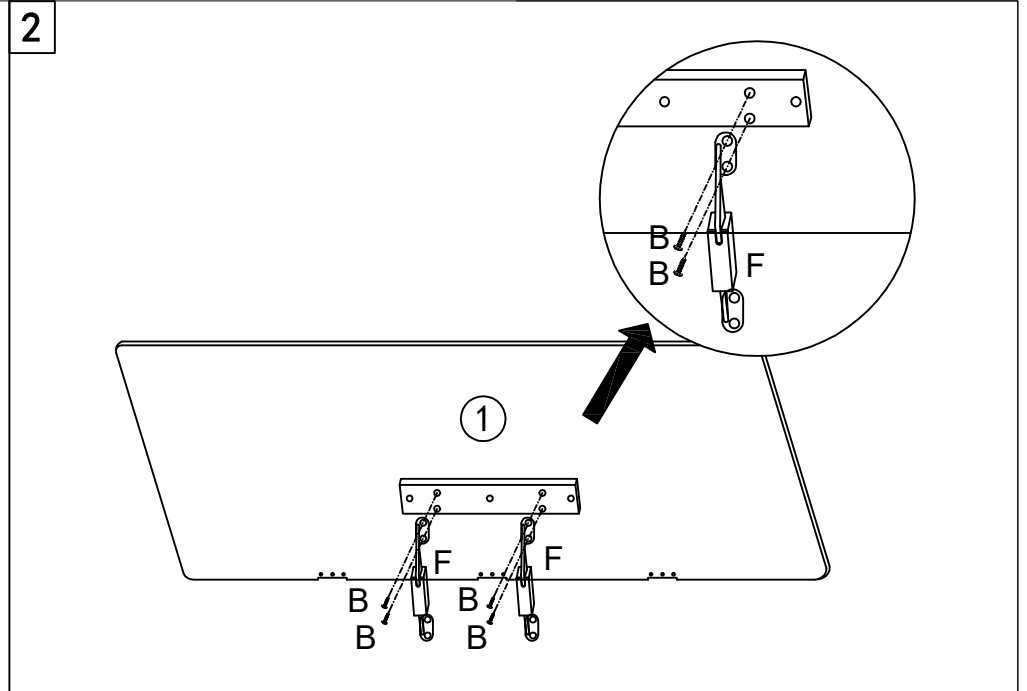
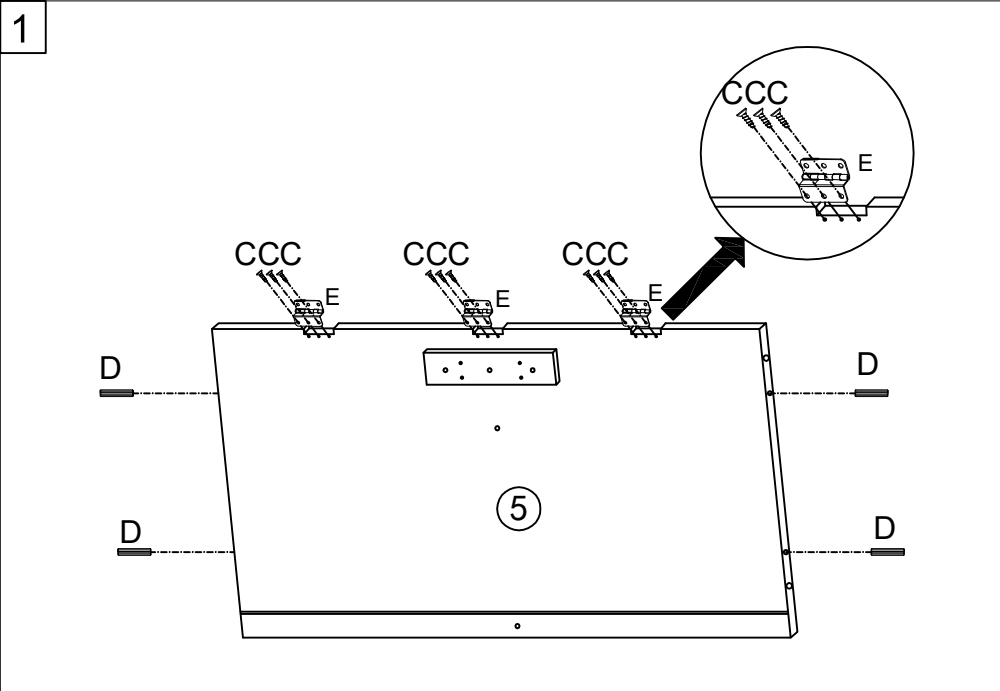
⚠ CAUTION:
ADULT ASSEMBLY IS REQUIRED. HARDWARE CONTAINS SCREWS WITH FUNCTIONAL SHARP POINTS. KEEP UNASSEMBLED PARTS OUT OF THE REACH OF SMALL CHILDREN. ADULT SUPERVISION IS RECOMMENDED. STOP USING THE PRODUCT IF THE LID SUPPORT DOES NOT KEEP THE LID OPEN IN EVERY POSITION.

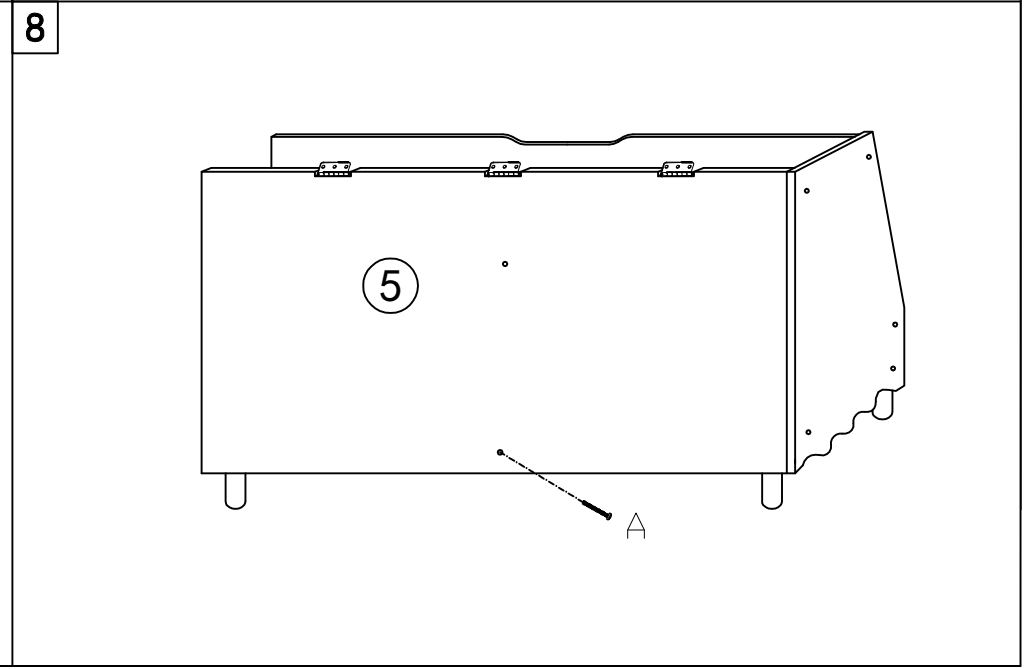
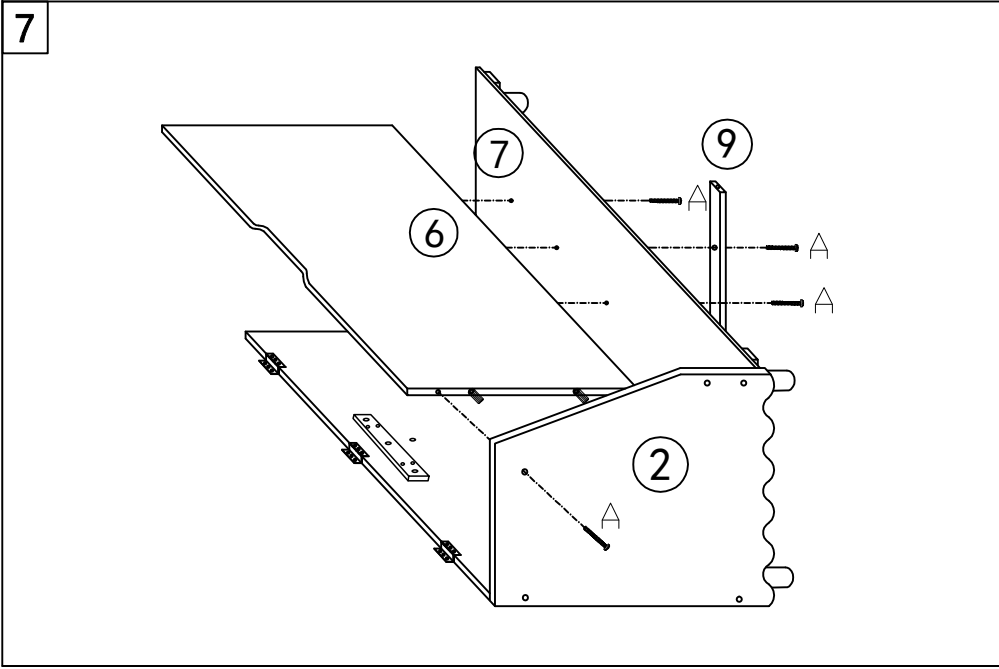
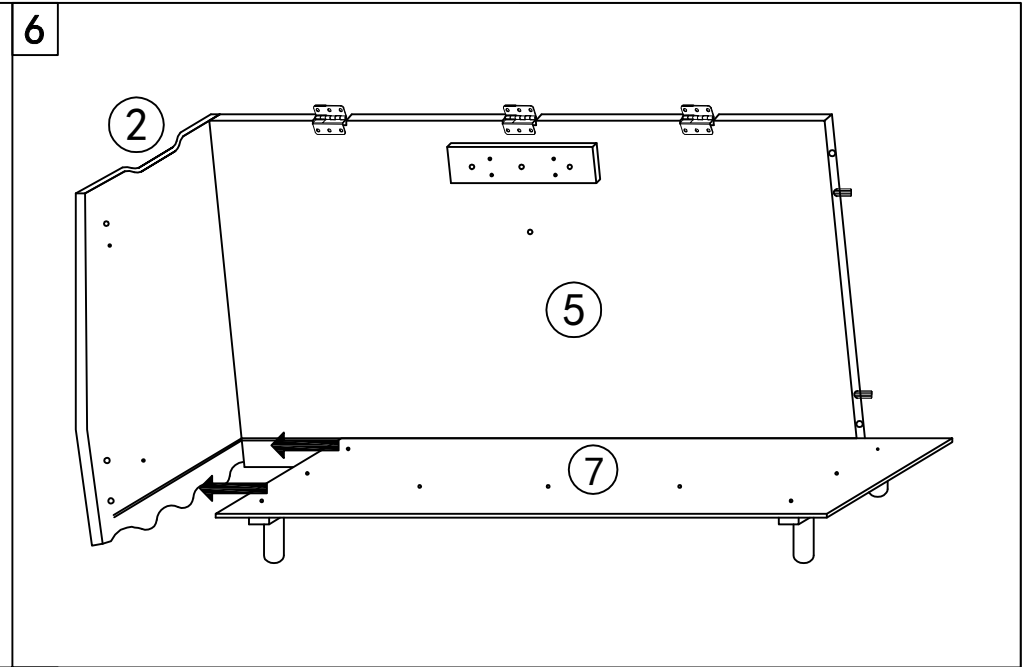
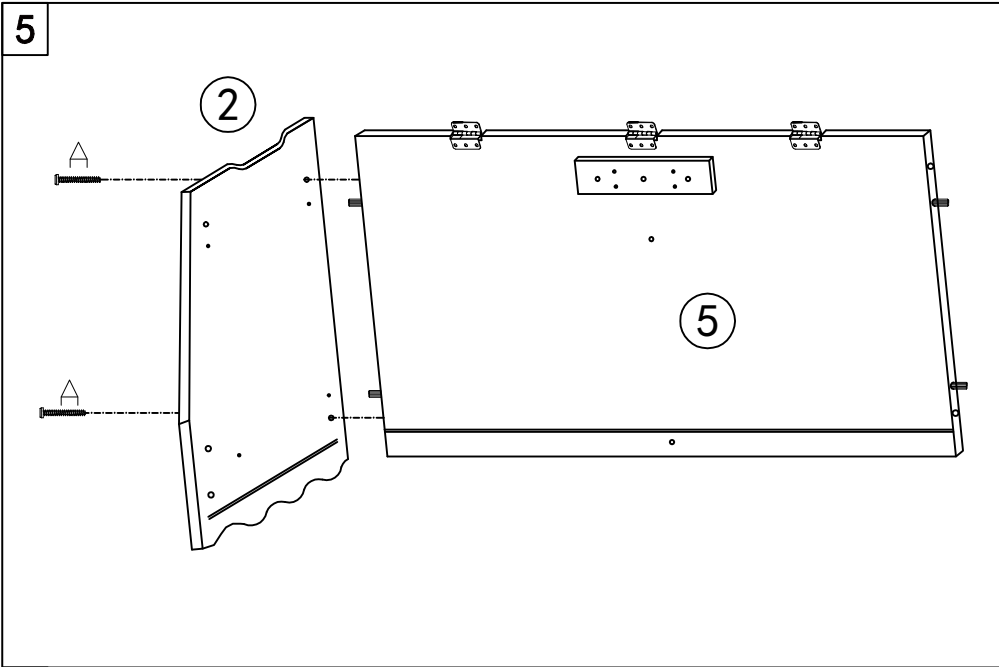
⚠ WARNING:
DO NOT SIT OR STAND ON THE PRODUCT. DO NOT USE THE PRODUCT AS A STEP LADDER. DO NOT USE THE PRODUCT UNLESS ALL BOLTS, SCREWS AND KNOBS ARE FIRMLY SECURED. CHECK AND TIGHTEN ALL PARTS REGULARLY. MAXIMUM SAFE LOAD LIMIT: INTERNAL BOTTOM BOARD: 25KG. OUTSIDE TOP BOARD: 50KG. FAILURE TO FOLLOW THESE WARNINGS COULD RESULT IN SERIOUS INJURY.

⚠ WARNING:
PLEASE SECURE THIS PRODUCT WITH THE SUPPLIED WALL FIXING. IT IS STRONGLY RECOMMENDED THAT THIS PRODUCT IS PERMANENTLY FIXED TO THE WALL. REGULARLY CHECK THE ANCHOR IS SECURELY MAINTAINED.

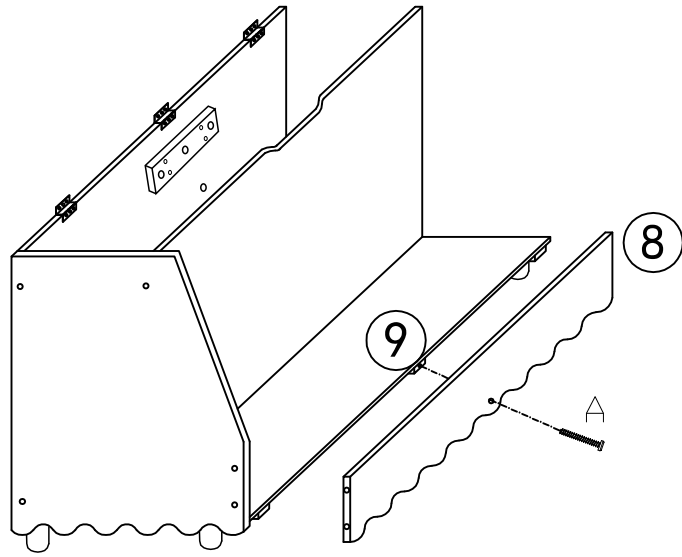
⚠ CAUTION:
PLEASE CHECK CONDITION OF PRODUCT REGULARLY, AS SCREWS MAY LOOSEN WITH USE OVER TIME. TIGHTEN SCREW FITTINGS IF NECESSARY.

⚠ WARNING
CHOKING HAZARD - SMALL PARTS.
NOT SUITABLE FOR CHILDREN UNDER 3 YEARS.

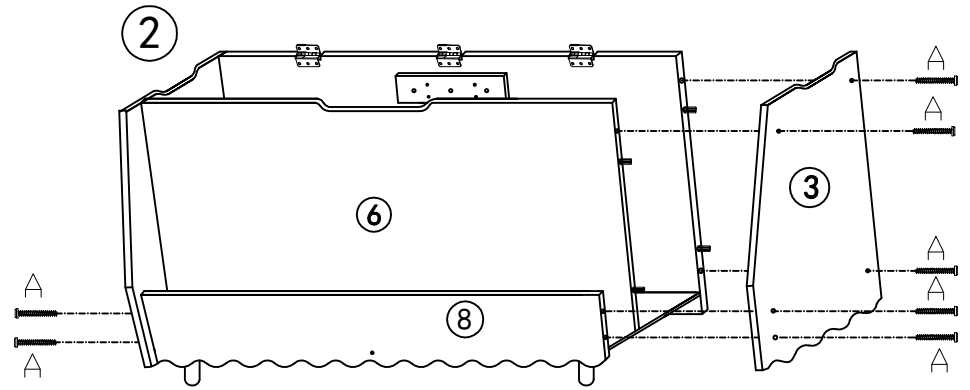




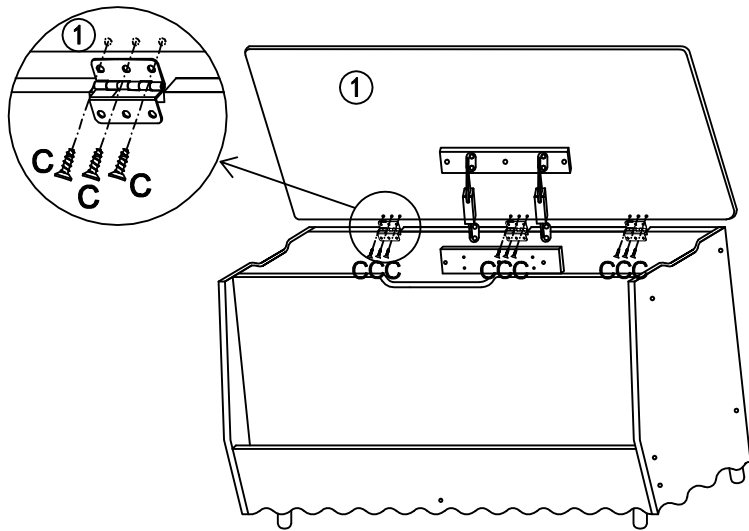
9



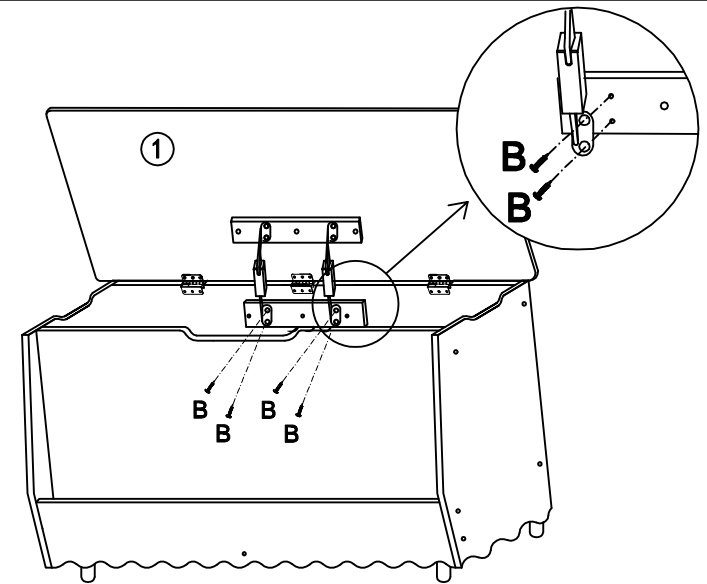
10



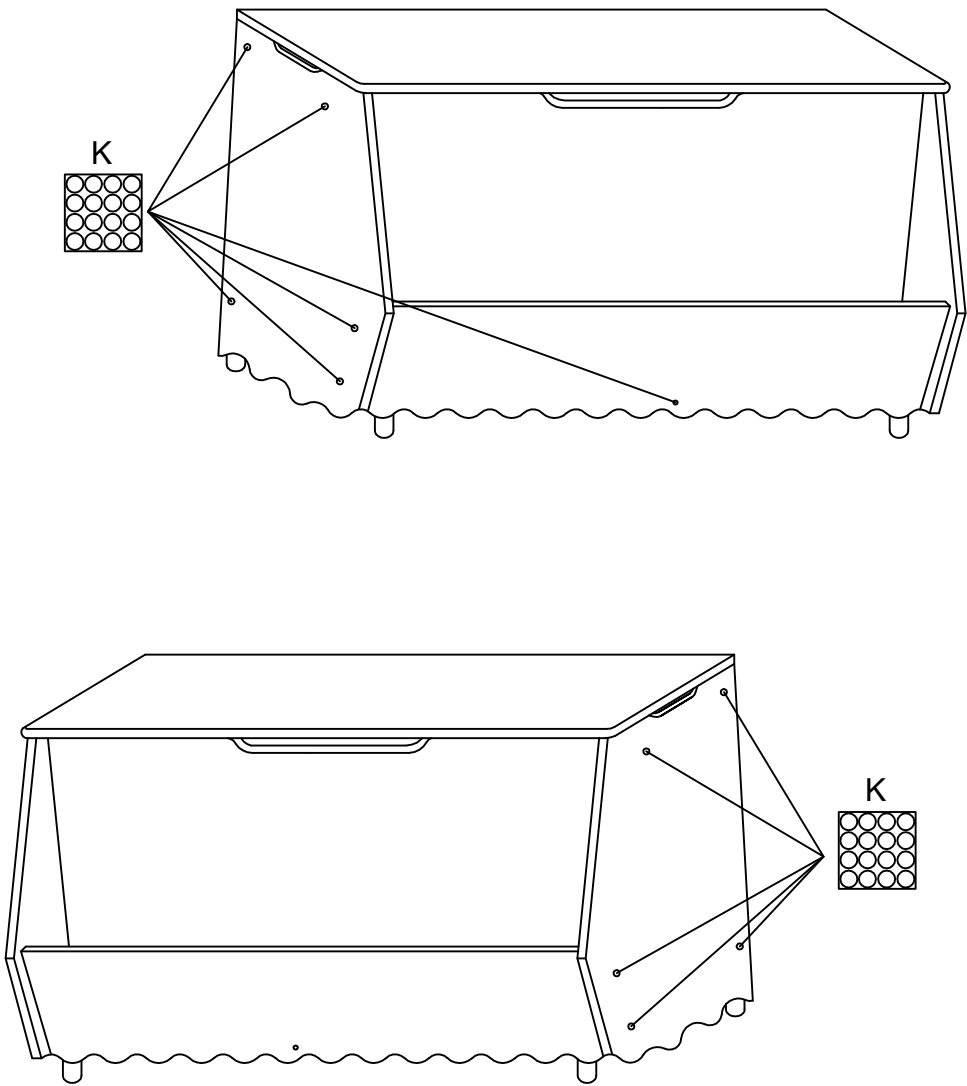
11



12



13



14

