



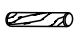


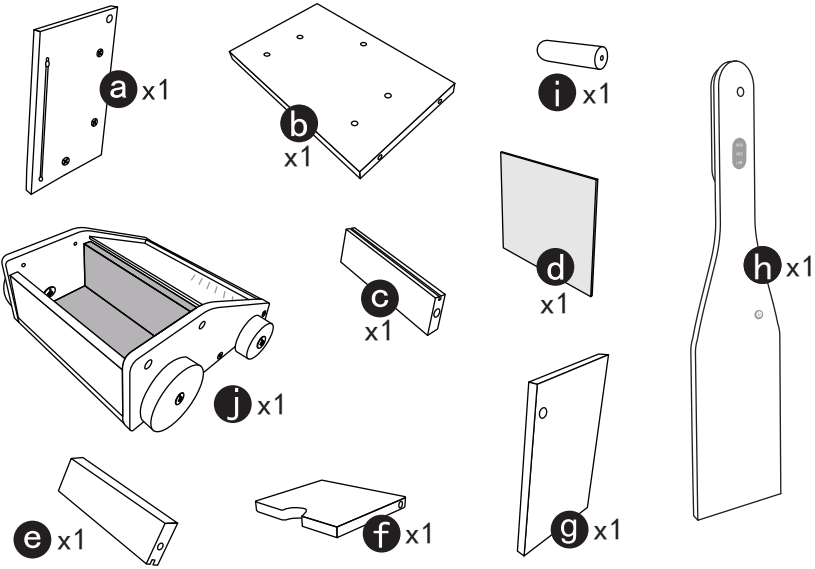
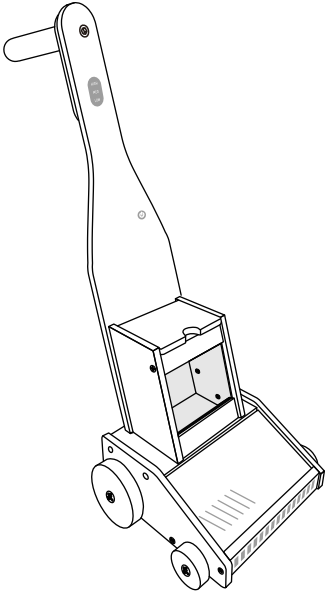
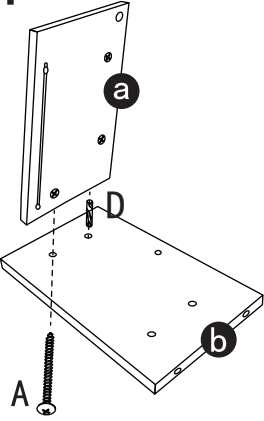
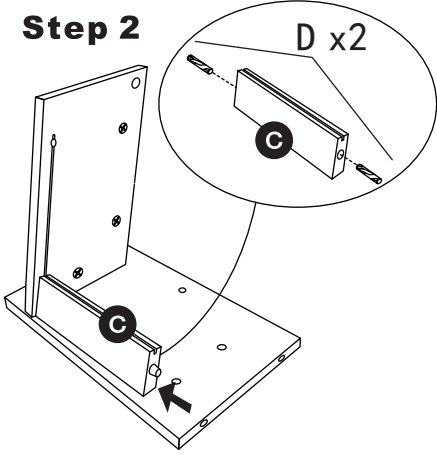
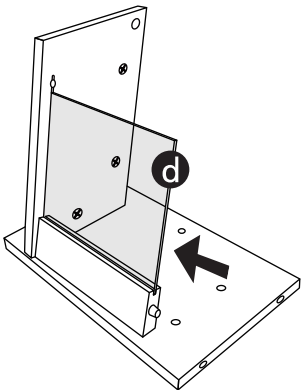
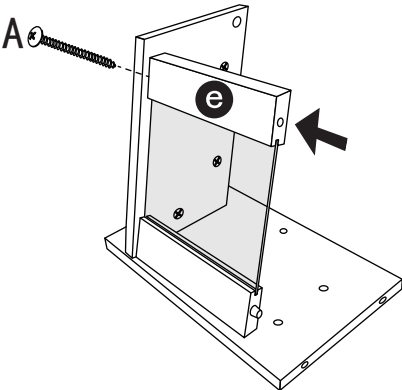


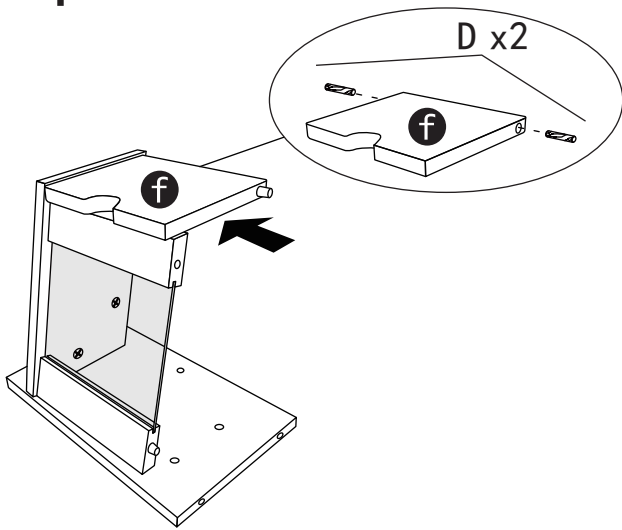
Wooden Vacuum

Assembly Instruction

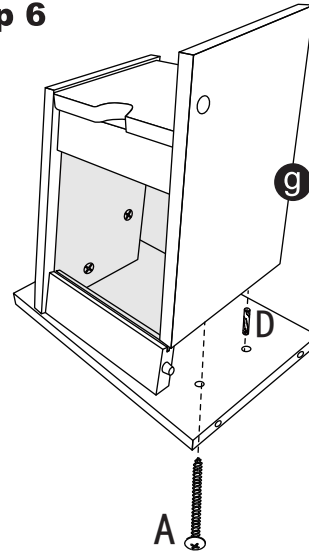
HARDWARE	PARTS LIST
<p>A  x8</p> <p>B  x5</p> <p>C   x1</p> <p>D  x6</p> <p>Hexagon wrench x 1 </p> <p>The following tool (not included) is required for assembly :</p> <p>Cross screwdriver </p> <p>WARNING: THIS IS A TOY, INTENDED FOR ROLE PLAY ONLY.</p> <p>WARNING: CHOKING HAZARD – SMALL PARTS, NOT SUITABLE FOR CHILDREN UNDER 3 YEARS.</p>	
<p>CAUTION: ADULT ASSEMBLY IS REQUIRED. UNASSEMBLED PARTS CONTAIN SCREWS AND WITH FUNCTIONAL SHARP POINTS, PLEASE KEEP UNASSEMBLED PARTS AWAY FROM SMALL CHILDREN.</p> <p>CAUTION: PLEASE CHECK CONDITION OF ITEM REGULARLY AS SCREWS MAY LOOSEN WITH USE OVER TIME. TIGHTEN SCREW FITTINGS IF NECESSARY</p> <p>PLEASE FOLLOW THE INSTRUCTION TO ASSEMBLE THE PRODUCT, ANY INCORRECT ASSEMBLY COULD CAUSE POTENTIAL HAZARD.</p> <p>Keycode: 43327911 MADE IN CHINA © KMART AUSTRALIA LIMITED</p> 	<h3>ASSEMBLY</h3> <p>Step 1</p>  <p>Step 2</p>  <p>Step 3</p>  <p>Step 4</p> 

ASSEMBLY

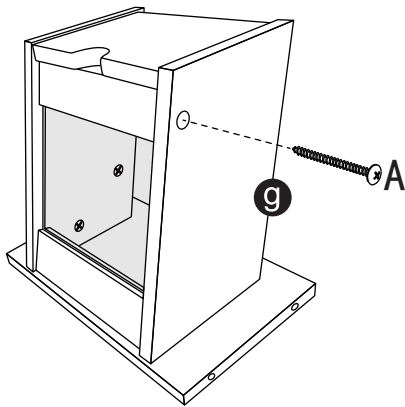
Step 5



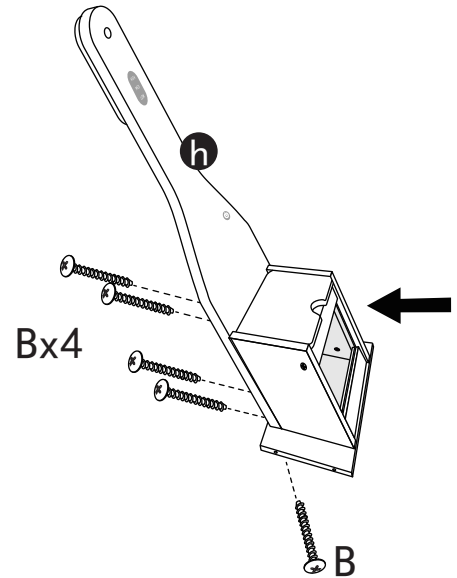
Step 6



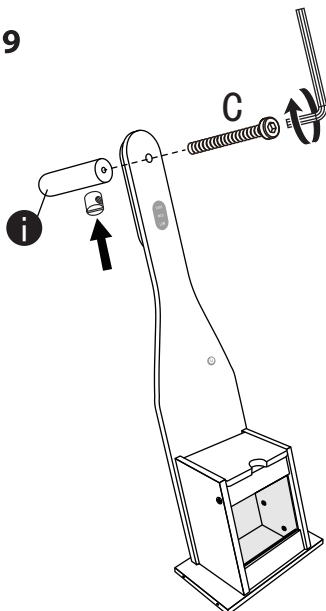
Step 7



Step 8



Step 9



Step 10

