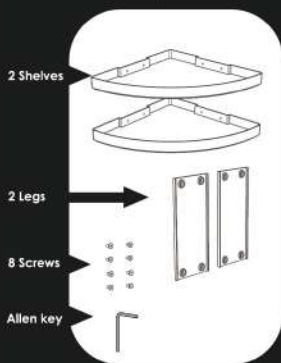
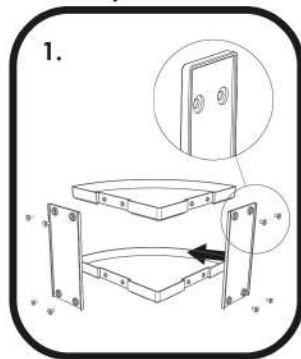


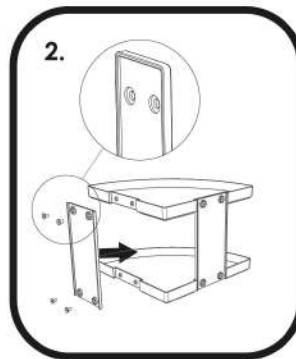
## Components



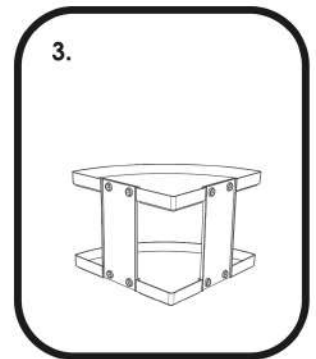
## Assembly Instructions



Put one leg in place and screw together.  
Check the leg is the correct way



Put the second leg in place and screw together.  
Check the leg is the correct way



The shelves are complete.

286x93mm