

# Assembly Instructions









## 43332069 2 TIER PULL OUT CHROME ORGANISER

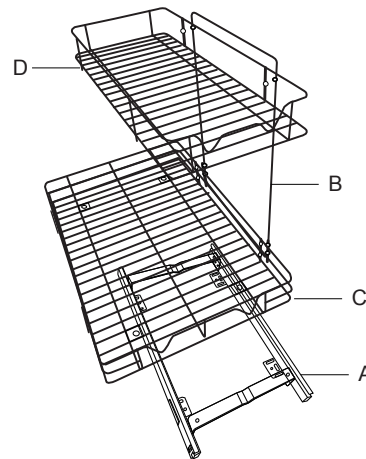
**WARNING:** This package contains small parts, keep unassembled parts away from children and babies. Do not use until all the screws and nuts are firmly secured.

**CARE INSTRUCTIONS:** Wipe clean with a soft dry or damp cloth.

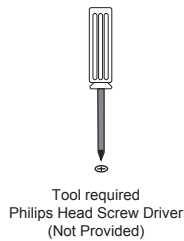
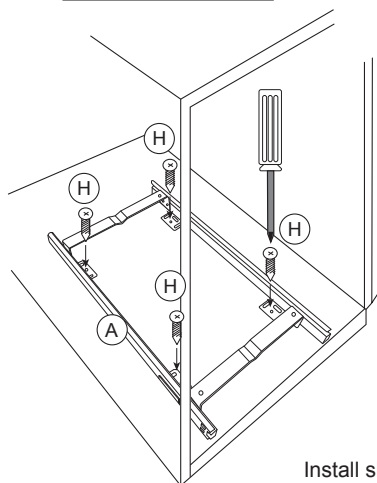
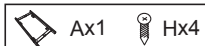
**MAXIMUM LOADING WEIGHT:** 3kg on upper tier, 6kg on lower tier.

### Hardware list

	A	Sliding Rail	1PC		E	Anti-off Nut	6PCS
	B	Frame	1PC		F	M5x10mm	6PCS
	C	Large Basket	1PC		G	M5x8mm	4PCS
	D	Small Basket	1PC		H	M4x16mm	4PCS

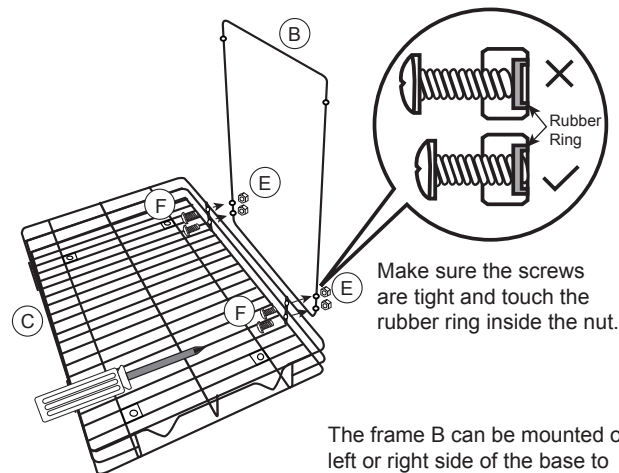
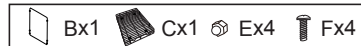


### STEP 1



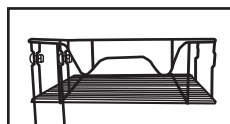
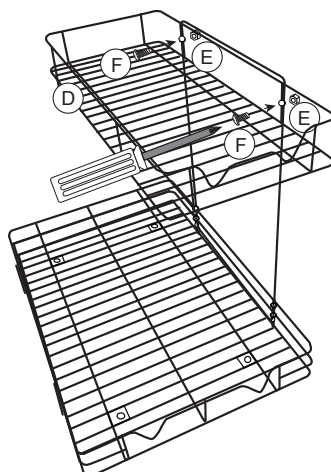
Install sliding rail A on cabinet.

### STEP 2



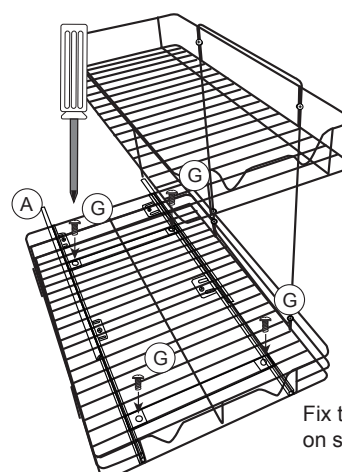
The frame B can be mounted on left or right side of the base to avoid pipes.

### STEP 3



Make sure the handle of both tier are forward.

### STEP 4



Fix the completed 2 tier basket on sliding rail A.